

AT-LP70X

Quick Start Guide
Automatic Belt-Drive Turntable

Guide de démarrage rapide
Automaattinen hinnakäyttöinen levysoitin

Kurzanleitung
Automatischer riemenbetriebener Plattenspieler

Guida rapida
Giradischi automatico a trasmissione cinghia

Guía de inicio rápido
Giradiscos automático de transmisión por correa

Guia de início rápido
Toca-discos automático acionado por correa

Краткое руководство по установке
Автоматический проигрыватель с ремненным приводом

快速启动指南
自动皮带传动唱盘机

快速入門指南
全自動皮帶式驅動黑膠唱盤機

간편 사용 설명서
오토매틱 벨트 드라이브 턴테이블

Audio-Technica Corporation
2-46-1 Nishi-naruse, Machida, Tokyo 194-8666, Japan
www.audio-technica.com
©2024 Audio-Technica Corporation
Global Support Contact: www.at-globalsupport.com

351709390-01-01

ver.1 2024.02.01

User Manual (Online Manual)

<https://www.audio-technica.co.jp/document/AT-LP70X/Default.html>



Support

For more information on how to use this product and troubleshoot any problems, refer to the user manual on the Audio-Technica website.

Support

Pour plus d'informations sur l'utilisation de ce produit et la résolution des problèmes, reportez-vous au manuel de l'utilisateur sur le site Web d'Audio-Technica.

Unterstützung

Weitere Informationen zum Gebrauch dieses Produkts und zur Behebung eventueller Probleme entnehmen Sie bitte der Bedienungsanleitung auf der Website von Audio-Technica.

Assistenza

Per maggiori informazioni sull'utilizzo del presente prodotto e per la risoluzione di eventuali problemi, fare riferimento al manuale dell'utente sul sito Audio-Technica.

Asistencia

Para más información sobre el uso de este producto y la resolución de problemas, consulte el manual de usuario en el sitio web de Audio-Technica.

Suporte

Para obter mais informações sobre como usar este produto e solucionar qualquer problema, consulte o manual do usuário no site da Audio-Technica.

Техническая поддержка

Для получения дополнительной информации о том, как использовать этот продукт и устранять любые неисправности, обратитесь к руководству пользователя на веб-сайте Audio-Technica.

支持信息

关于如何使用本产品及解决各种问题的详细信息, 请参阅“铁三角”网站上的用户手册。

支援資訊

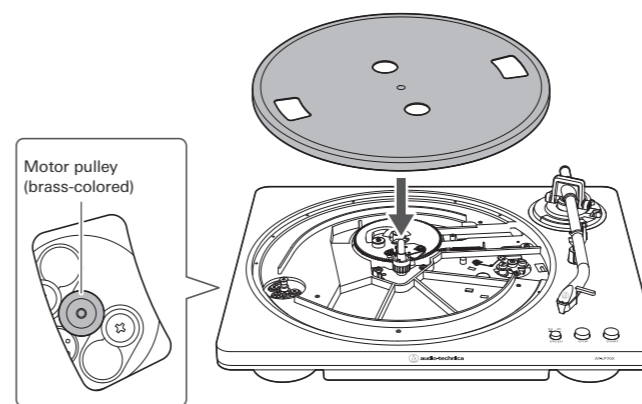
有關本產品的使用方法以及各種問題的故障排除方法, 請參閱「鐵三角」網站上的使用說明書。

지원

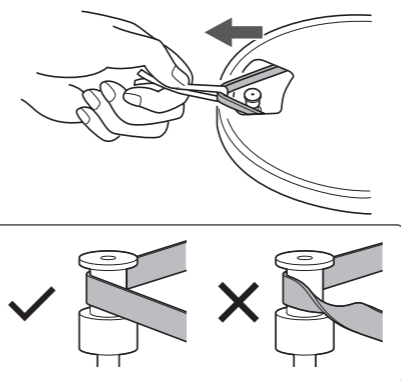
본 제품의 사용법 및 문제 해결에 관한 자세한 사항은 Audio-Technica 웹사이트의 사용자 설명서를 참조하십시오.

Preparation

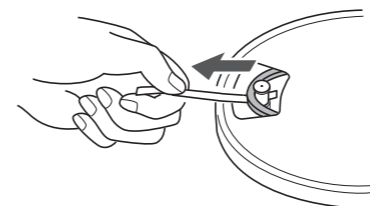
1 Set the platter.



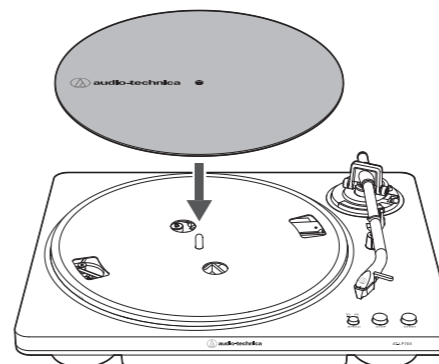
2 Attach the drive belt to the motor pulley (brass-colored).



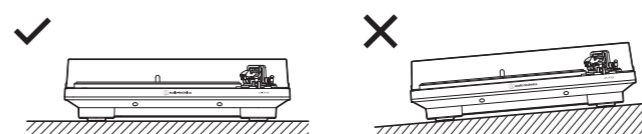
3 Remove the red ribbon from the drive belt.



4 Set the felt mat.

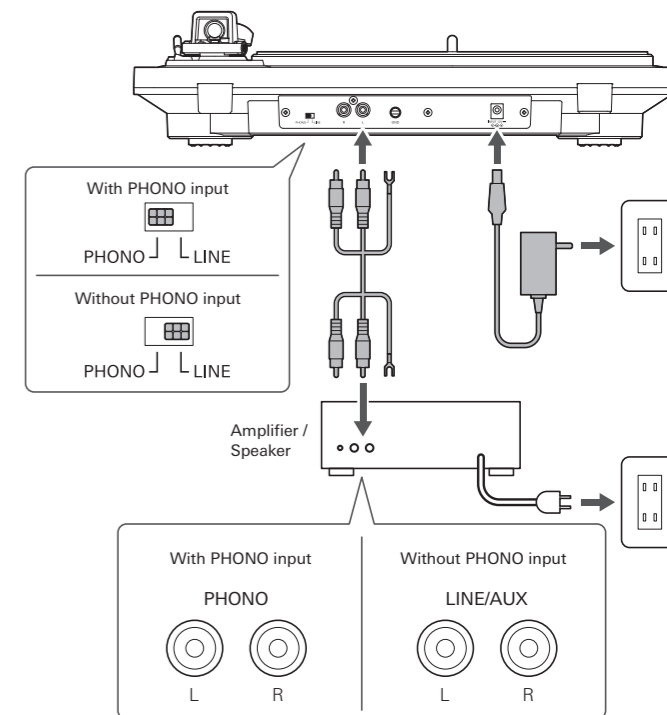


5 Mount the product on a level surface.

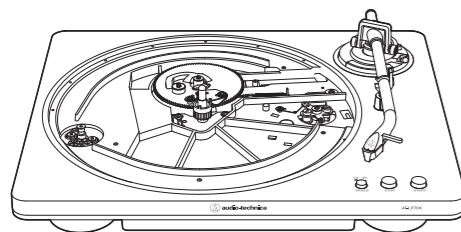


Connection

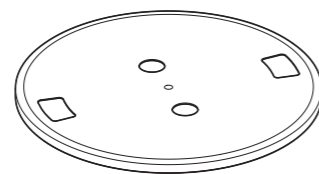
This product has a built-in phono equalizer function. You can use the product, even if you do not have a phono amplifier or connectable equipment with a built-in phono amplifier, by connecting an active speaker, etc. Use the pre-amplifier selector switch to set the output.



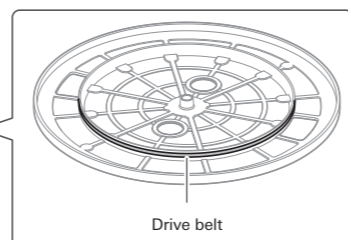
Contents



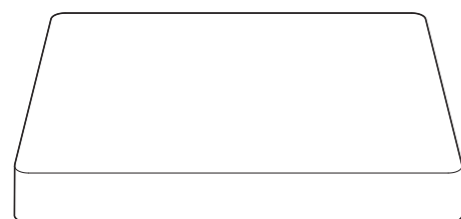
Turntable body



Platter (with drive belt)



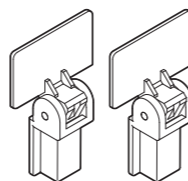
Drive belt



Dust cover



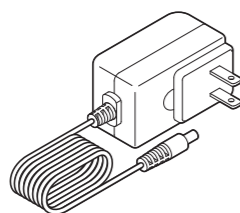
Felt mat



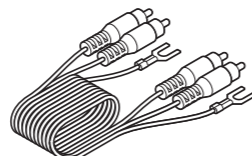
Dust cover hinges



45 RPM adapter



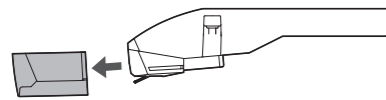
AC adapter



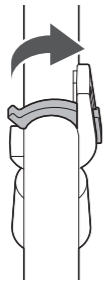
RCA audio cable

Play

1 Remove the cartridge's protector.

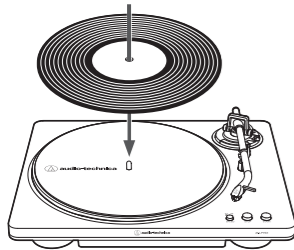


2 Remove the clamp of the tonearm rest.

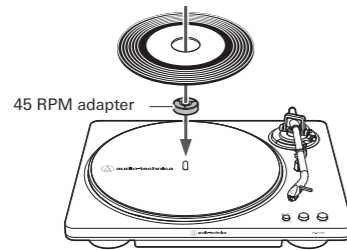


3 Place a record on the felt mat.

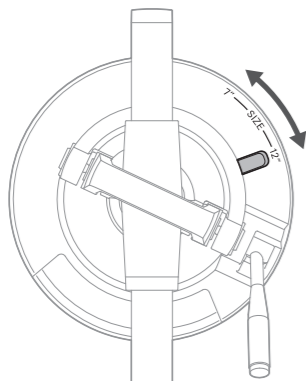
At 33-1/3 RPM



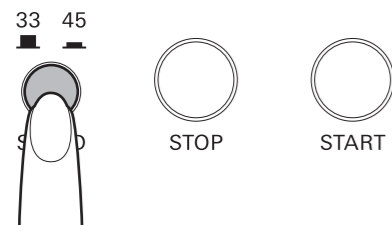
At 45 RPM



4 Select the record size.

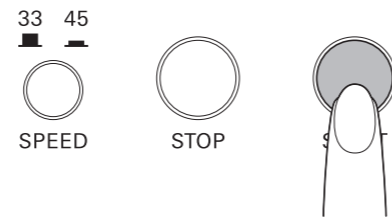


5 Select the speed with the SPEED button.



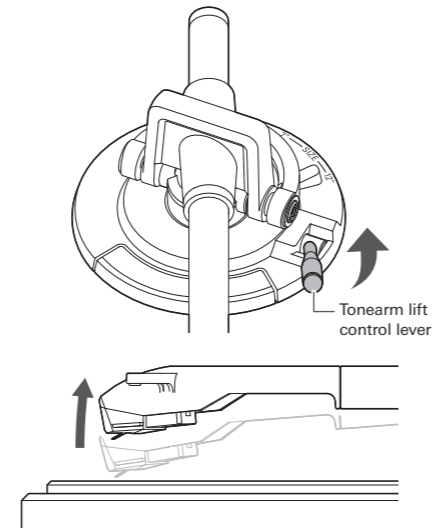
Auto

1 Press the START button.

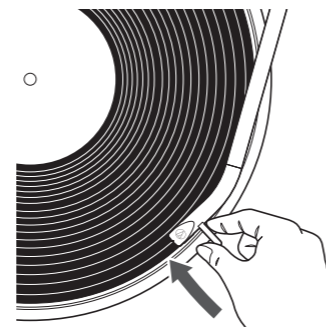


Manual

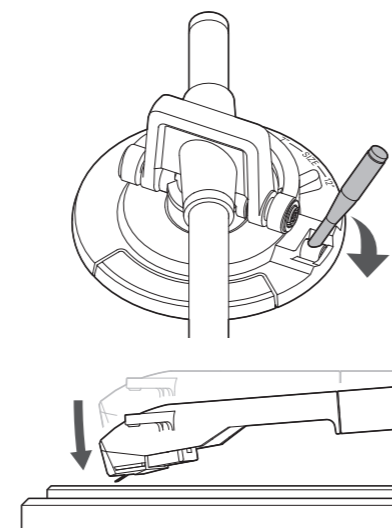
1 Raise the tonearm by lifting the tonearm lift control lever to the UP position.



2 Position the tonearm over the desired location (groove) on the record.

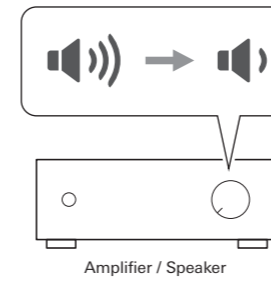


3 Lower the tonearm by moving the tonearm lift control lever to the DOWN position.

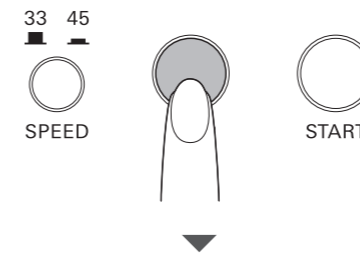


Stop

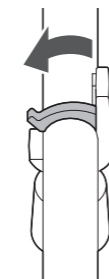
1 Lower the volume of the connected device (amplifier, etc.).



2 Press the STOP button.

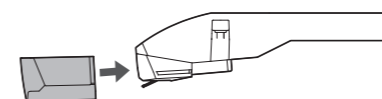


3 Attach the clamp of the tonearm rest.



! Make sure the tonearm lift control lever is lowered before attaching the clamp.

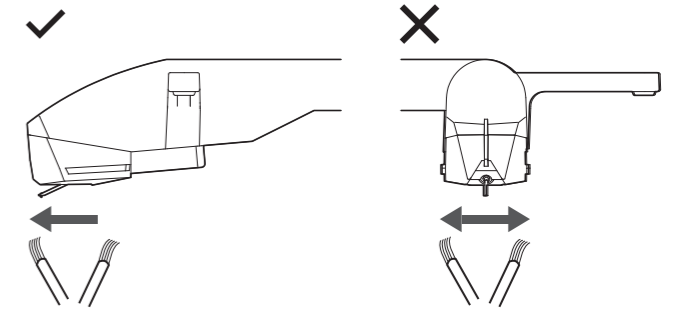
4 Attach the cartridge's protector.



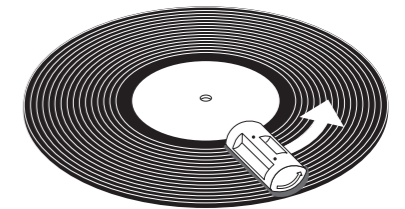
Cleaning

After unplugging the AC adapter from the outlet, clean the turntable as necessary. For details about turntable and cartridge care accessories, visit <https://www.audio-technica.com>.

Stylus



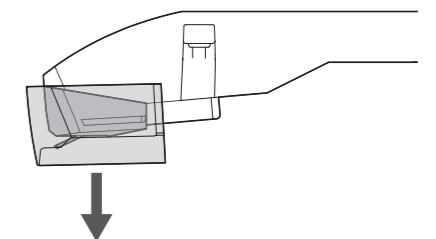
Record



Replacing the stylus

Removing the stylus

1 With the protector attached, pull the replacement stylus in the direction of the arrow to remove it.



Installing a new replacement stylus

2 Align the position of the replacement stylus's protrusion and push it into place in the direction of the arrow.

