



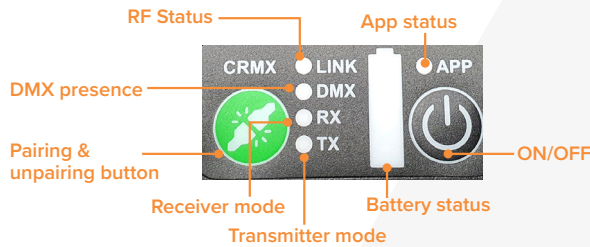
# Datasheet

# ASTERA BOX WIFI

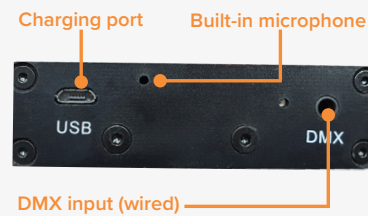


Asterabox is the interface between lights and controller. It can be used as a wireless DMX transceiver with CRMX technology and also works as interface between the AsteraApp and lights. Its built-in battery enables an easy and time-saving setup, just like with all of Astera's products.

### Top view



### Bottom view



## THE ASTERA SYSTEM

### Set up Lights

Set up your lights conveniently out of the distance. Adjust DMX settings on one or several lights. After your job, do a master reset

### Monitor Lights

Check your lights while operating them. View battery status, settings, targeted lights and get informed if a light is being moved.

### Control Lights

Send effects and colors to your lights. Choose which lights you want to target. Save programs for quick launch later.



### Wireless DMX

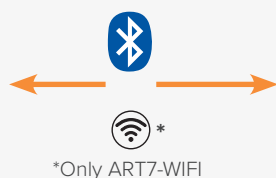
The Asterabox works as a wireless DMX transmitter with CRMX technology, just connect it with the included XLR adapter.

### Compatible

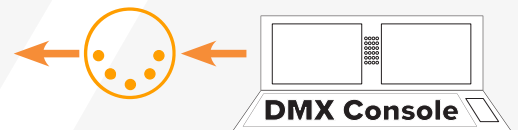
Astera Lights can be controlled together by CRMX and W-DMX (limited compatibility) so you can use them together with other wireless lights.



AsteraApp



Asterabox



# SPECIFICATIONS

Order Code	ART7-WIFI
DC Input	5 VDC - 2 A
Battery Voltage	3.7 V
Battery Runtime	60 h (App), 18 h (CRMX)
Charging Time (nominal)	12 hours
Ports	Micro-USB for charging, 3.5 mm jack for DMX Input
DC Connector	Micro-USB
BluetoothBridge BTB	Built-in
Bluetooth Classic	No
Wireless Protocols	UHF, CRMX, Bluetooth*, Wifi
Wireless Range	CRMX: up to 300 m / 328 yds UHF: up to 300 m / 328 yds Bluetooth: up to 3 m / 3.3 yds
Microphone	Built-in
Housing Material	Aluminium
IP Rating	IP20
Ambient Operating Temperature	0 - 40 °C / 32 - 104 °F
Weight	0.23 kg / 0.51 lbs
Dimensions (L x W x D)	146 mm x 78 mm x 30 mm / 5.7" x 3.1" x 1.2"
Mounting Options	Belt Clip

\*Minimum requirement for Astera App device: Bluetooth 4.2

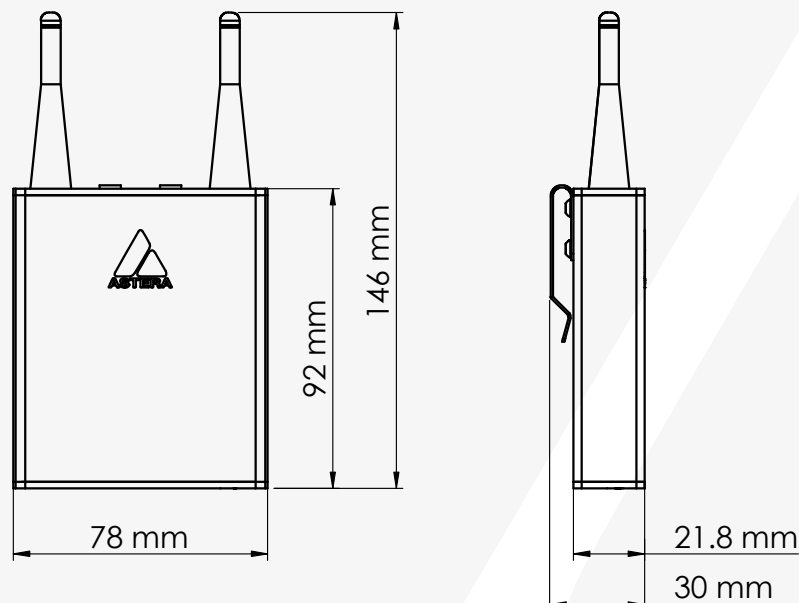
# RF CHARACTERISTICS

Wireless Modules	EU: UHF*** (863-870MHz)	USA: UHF (917-922.20MHz)	AUS: UHF (922.30-927.50MHz)	SGP: UHF (920.50-924.50MHz)	KOR: UHF (917.9-921.5MHz)
Modulation	FHSS	FHSS	FHSS	FHSS	FHSS
ERP (Transmitter)	<25mW	<25mW	<25mW	<25mW	<25mW
Channel Count	47	53	53	41	10

Wireless Modules	RUS: UHF (868.75-869.12MHz)	JPN: UHF (922.80-926.40MHz)	CRMX (2402-2480MHz)	Bluetooth 5.0 LE (2402-2480MHz)	WiFi (2412-2472MHz)
Modulation	FHSS	FHSS	FHSS	FHSS	DSSS, OFDM
ERP (Transmitter)	<25mW	<25mW	<100mW	10mW (BLE)	<100mW
Channel Count	6	19	79	40	13

\*\*\*General allocation of frequencies for use by short-range radio applications

# DRAWING



# ACCESSORIES

## Carrying Case

ART7-CSE



included

## Power Supply

ART7-CHR



included

## DMX Adapter

ART7-DMXA



included

