

ACT-80 Digital Wireless ENG Receiver

Key Features

- Waterproof, compact, and ultra-thin rugged aluminum housing construction.
- Various interface socket modules can be easily detached and installed to work with different camcorders, active speakers and other audio equipment.
- UHF PLL synthesized circuit and dual-antenna true diversity technology for best reception quality.
- Enhanced RF circuitry improves anti-interference characteristics and system compatibility with a 64 MHz-wide bandwidth, allowing more interference-free channels to be selected.
- Full-range sound quality is not affected by the strength of RF signals or operating distance.
- Digitally-processed RF circuitry and DigitnamicPlus™ technology eliminates compander noise, assuring a wireless sound quality that easily rivals cable transmission.
- Improved proprietary Audio A/D Converter provides a true dynamic range of 115 dBA, T.H.D. < 0.03% at 1 kHz with < 3 ms latency.
- Proprietary 256-bit encryption provides secure audio transmission, preventing unauthorized listening.
- World's first ACT™ (Automatic Channel Targeting) provides precise and rapid frequency sync to the transmitters.
- Digital graphic backlit LCD panel.
- Control panel has setup buttons for SCAN, ACT, SQUELCH, LOCK and AF functions, allowing easy and error-free setup.
- Electronic power switch eliminates popping noise during power on/off.
- Precision SMA antenna connectors with removable soft antennas.
- Features are compatible with MIPRO ACT-8 series digital receivers.



Transmitters

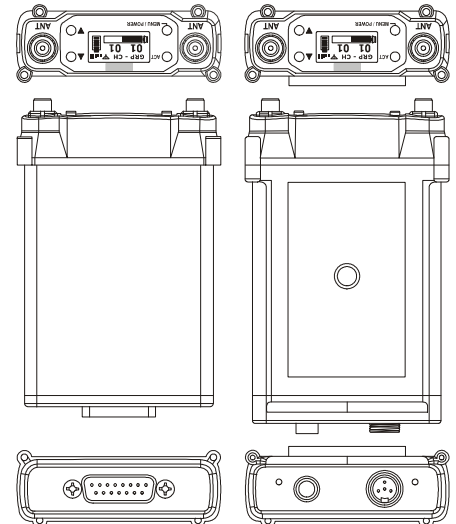
| | |
|-----------------|--------------------------------------|
| ACT-80H | Handheld Transmitter |
| ACT-80HC | Rechargeable Handheld Transmitter |
| ACT-80T | Bodypack Transmitter |
| ACT-80TC | Rechargeable Bodypack Transmitter |
| TA-80 | Digital Wireless Plug-on Transmitter |

Accessories

| | |
|----------------------------|--------------------------------|
| MJ-90 | Power Cord for SONY Camcorders |
| MR-90S | Standard Package |
| MR-90S15 / MR-90S25 | Exclusive Socket Interface |
| MR-90SB | Built-in Battery Pack |
| MR-90SC | Mounting Fasteners |

Technical Specifications

| | |
|------------------------------|---|
| Frequency Range | UHF 470 – 937 MHz (country dependent) |
| Bandwidth | 64 MHz |
| Preset Frequency | 12 non-interference compatible frequencies in group 1-10. 16 non-interference compatible frequencies in group 11-16. 16 user-defined frequencies can be stored in group 18. 216 preset frequencies in total. |
| Channel Grid | 25 kHz |
| Channel Set-up | Scan & ACT sync |
| Audio Sampling | 24-bit / 44.1 kHz |
| Audio Compression | 2nd Generation DSP inertial coding |
| Latency | < 3 ms |
| Frequency Response | 20 Hz – 20 kHz (-2dB) |
| S/N Ratio (analog output) | > 115 dB(A) |
| T.H.D. | < 0.03 % @ 1 kHz |
| Encryption | 256 bit |
| Oscillation Mode | PLL Synthesized |
| Frequency stability | ±0.005% (-10 – +60°C) |
| Image and Spurious Rejection | > 85 dB |
| Receiving Mode | Dual antenna digital diversity |
| Analog Output | Balanced XLR |
| LCD Display | Frequency, RF / AF meters, Diversity signals and transmitter battery meter |
| Antenna Input | 2 × 50 Ω SMA female connector |
| Power Supply | External AC power supply, 12 – 15 V DC, 0.5A |
| Dimensions (W × H × D) | 73.5 × 120 × 28 mm / 2.9 × 4.7 × 1.1 " |
| Weight | Approx. 220 g / 7.7 oz |
| Operating Temperature | -10 – +60°C |



MIPRO Electronics Co., Ltd

Headquarters: 814 Pei-kang Road, Chiayi, 60096, Taiwan
 Tel: +886.5.238.0809 | Fax: +886.5.238.0803
 www.mipro.com.tw | mipro@mipro.com.tw