

MIPRO®

ACT-24H/ACT-58H/ACT-52H/ACT-33H

ACT-32H/ACT-32HR/ACT-31H

Handheld Transmitter Microphone

User Guide

ACT-24H/ACT-58H



ACT-52H



ACT-33H



ACT-32H



ACT-31H



I. Parts Name, Fig. 1

ACT-52H

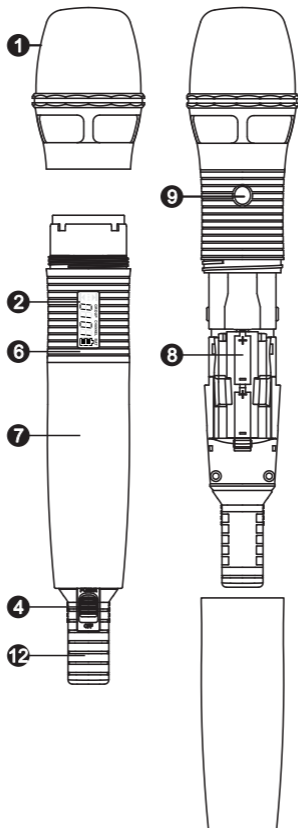


Fig. 1

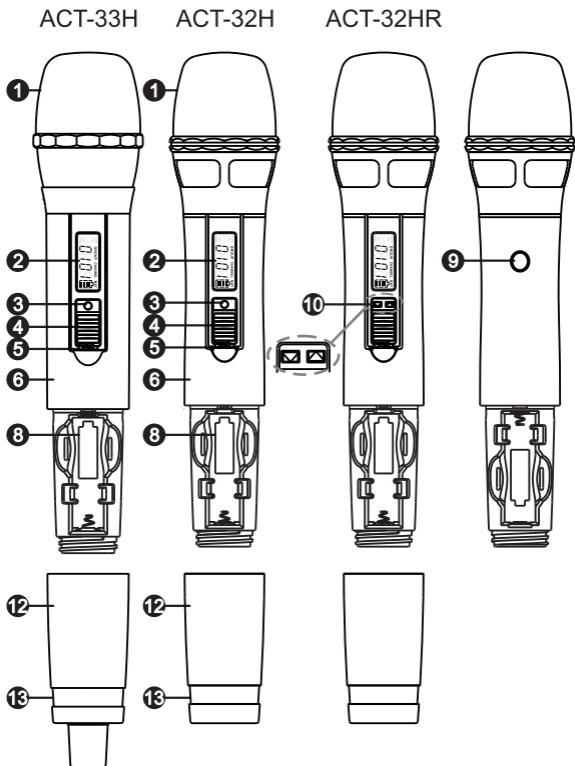


Fig. 1

ACT-24H

ACT-58H

ACT-31H

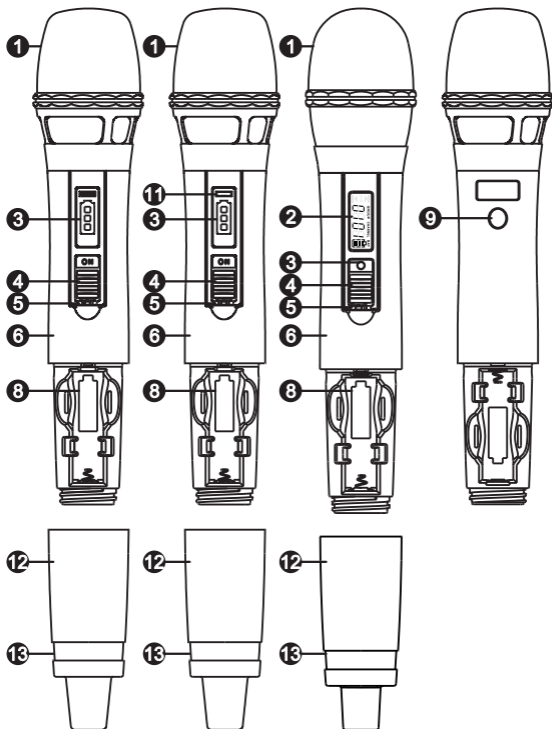


Fig. 1

- 1 Microphone Capsule Module
- 2 LCD Screen
- 3 Battery Meter Indicators
- 4 Power Switch
- 5 Lockable On/Off Switch
- 6 Housing
- 7 Bottom Housing (ACT-52H)
- 8 Battery Compartment
- 9 ACT Sync Window
- 10 Remote Volume Control Buttons (ACT-32HR)
- 11 AutoWakeUp Indicator (ACT-58H)
- 12 Rear Cover
- 13 Color-Coded Ring

II. Battery Installation

1. ACT-24H/31H/32H/32HR/33H/58H, Fig. 2:

- (A) Gently twist and remove the Rear Cover ⑫ counterclockwise.
- (B) Insert two new AA alkaline batteries in the battery compartment with correct polarity orientation.

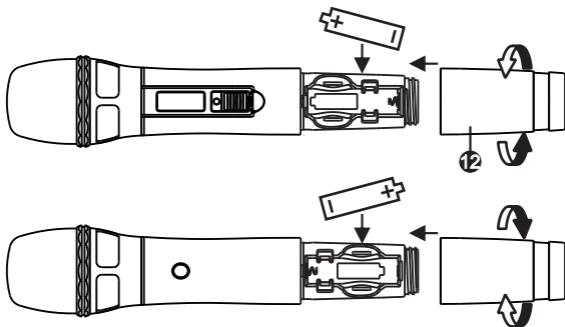


Fig. 2

2. ACT-52H, Fig. 3:

- (A) Gently twist and remove and Bottom Housing ⑦ counterclockwise.
- (B) Insert two new AA alkaline batteries with positive + toward microphone grille in the battery compartment.

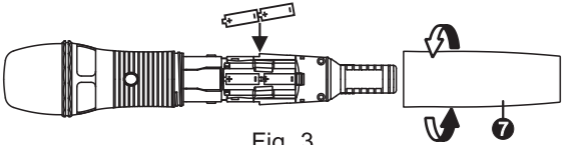


Fig. 3

3. A blank LCD screen maybe due to an incorrect battery polarity orientation or low battery.

III. LCD Display, Fig. 4



Fig. 4

1. Error codes:
 - (A) ERR no01→Transmitter does not have the initial programmed data.
 - (B) ERR no02→(for test)
 - (C) ERR no03→The frequency to be set exceeds the upper band. The microphone frequency will not be changed but it can be operated as long as the power switch is turned on again.
 - (D) ERR no04→The frequency to be set exceeds the lower band. The microphone frequency will not be changed but it can be operated as long as the power switch is turned on again.
2. GROUP CHANNEL are internal programmed channels.
3. CHANNEL displays only (GROUP is not shown) indicates a user-defined frequency synced from receiver and it only can be changed via PC.

4. **Power Off:** When the power switch is turned off, the LCD will show “Poff” first and then the system will shut down and no further messages will be displayed.

IV. Battery Level Status

1. ACT-52H/ACT-33H/ACT-32H/ACT-32HR/ ACT-31H:

The power remaining in the transmitter, as Fig. 5 shows. Power shuts down automatically when battery voltage is too low.

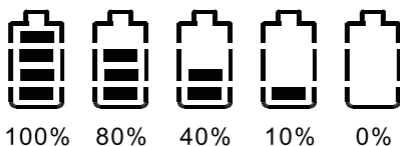


Fig. 5

2. ACT-24H/ACT-58H:

The power remaining in the transmitter, as Fig. 6 shows. Power shuts down automatically when battery voltage is too low.

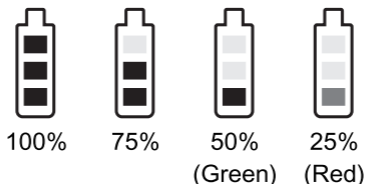


Fig. 6

V. Operating Instructions

1. Turn on the Power Switch ④, LCD Screen ② or Battery Meter Indicator ③ is lit.
Recommend to replace a fully-charged battery when single red indicator remains.
2. Do ACT synchronization according to the operating instructions of receiver's ACT Set-up.
3. When microphone catches sound, the AUDIO signal indicators on the receiver panel will blink. It indicates normal wireless transmission between microphone and receiver.
4. ACT-58H AutoWakeUp function:
AutoWakeUp, if enabled at the receiver, allows the transmitter to be muted automatically and the AutoWakeUp indicator blinks if a powered-on transmitter is idled for approx. 10 seconds. If the transmitter detects some shakes, it will be waked up automatically and ready to use.

VI. Cautions

1. Turn off to save battery life when not in use. Remove the battery not use for an extended period of time.
2. To improve efficiency of transmitting antenna, do not cover the hands over the rear housing section.
3. To prevent degraded microphone sound quality, directionality and annoying feedback, do not cover the hands over microphone grill.
4. Correct posture of holding the handheld microphone is required because the distance between the microphone and the mouth will have a significant impact on the sensitivity and sound quality.
5. Keep the microphone grill clean and unblocked to enhance pick-up sound quality.

VII. Notes

1. Refer to actual product in the event of product description discrepancy.
2. Frequency range and maximum deviation comply with the regulations of different countries.

FCC

FCC Caution: To assure continued compliance, any changes or modifications not expressly approved by the party responsible for compliance could void the user's authority to operate this equipment. (Example - use only shielded interface cables when connecting to computer or peripheral devices).

This device complies with Part 15 of the FCC Rules. Operation is subject to the following two conditions:

- (1) This device may not cause harmful interference, and
- (2) This device must accept any interference received, including interference that may cause undesired operation.

This device complied with FCC radiation exposure limits as set forth for an uncontrolled environment. This device should be installed and operated so that its antenna(s) are not co-located or operating in conjunction with any other antenna or transmitter.

IC

This device complies with Industry Canada's RSSs. Operation is subject to the following two conditions:

- (1) This device may not cause interference; and
- (2) This device must accept any interference, including interference that may cause undesired operation of the device.

Le présent appareil est conforme aux CNR d'Industrie Canada applicables aux appareils radio. L'exploitation est autorisée aux deux conditions suivantes :

- (1) l'appareil ne doit pas produire de brouillage;
- (2) l'utilisateur de l'appareil doit accepter tout brouillage radioélectrique subi, même si le brouillage est susceptible d'en compromettre le fonctionnement.

Federal Communication Commission Interference Statement

This equipment has been tested and found to comply with the limits for a Class B digital device, pursuant to Part 15 of the FCC Rules. These limits are designed to provide reasonable protection against harmful interference in a residential installation.

This equipment generates, uses and can radiate radio frequency energy and, if not installed and used in accordance with the instructions, may cause harmful interference to radio communications. However, there is no guarantee that interference will not occur in a particular installation. If this equipment does cause harmful interference to radio or television reception, which can be determined by turning the equipment off and on, the user is encouraged to try to correct the interference by one of the following measures:

- . Reorient or relocate the receiving antenna.
- . Increase the separation between the equipment and receiver.
- . Connect the equipment into an outlet on a circuit different from that to which the receiver is connected.
- . Consult the dealer or an experienced radio/TV technician for help.

FCC Caution: To assure continued compliance, any changes or modifications not expressly approved by the party responsible for compliance could void the user's authority to operate this equipment. (Example - use only shielded interface cables when connecting to computer or peripheral devices).

FCC Radiation Exposure Statement

This equipment complies with FCC RF radiation exposure limits set forth for an uncontrolled environment.

This transmitter must not be co-located or operating in conjunction with any other antenna or transmitter.

This device complies with Part 15 of the FCC Rules. Operation is subject to the following two conditions:

- (1) This device may not cause harmful interference, and
- (2) This device must accept any interference received, including interference that may cause undesired operation.

Industry Canada Statement

This device complies with Industry Canada licence-exempt RSS standard.

Operation is subject to the following two conditions:

- (1) this device may not cause interference, and
- (2) this device must accept any interference, including interference that may cause undesired operation of the device.

Le présent appareil est conforme aux CNR d'Industrie Canada applicables aux appareils radio exempts de licence. L'exploitation est autorisée aux deux conditions suivantes : (1) l'appareil ne doit pas produire de brouillage, et (2) l'utilisateur de l'appareil doit accepter tout brouillage radioélectrique subi, même si le brouillage est susceptible d'en compromettre le fonctionnement.

IC Radiation Exposure Statement:

This equipment complies with IC RSS-102 radiation exposure limit set forth for an uncontrolled environment.

Cet équipement est conforme aux CNR-102 d'Industrie Canada.

MIPRO[®]
MICROPHONE PROFESSIONALS

MIPRO Electronics Co., Ltd

Headquarters: No. 814, Beigang Rd., Chiayi City 60096, Taiwan
Tel : +886.5.238.0809 Fax : +886.5.238.0803
www.mipro.com.tw mipro@mipro.com.tw

All rights reserved. YM 019/11

Do not copy or forward without prior approvals MIPRO.

Specifications and design subject to change without notice.



2 CE6 16 B