



A710-FM

Flush Mount Kit for MXA710 Microphones

User guide for the A710-FM flush mount kit for MXA710 microphones. Learn how to install the 2-foot or 4-foot mic to sit flush in walls, tables, or ceilings.

Version: 4.1 (2023-C)

Table of Contents

A710-FM Flush Mount Kit for MXA710 Microphones	3	Installing the MXA710 Flush Mount	3
MXA710 Flush Mount Kit	3	Removing the Microphone from the Flush Mount	8
		IMPORTANT SAFETY INSTRUCTIONS	9

A710-FM Flush Mount Kit for MXA710 Microphones

MXA710 Flush Mount Kit

The A710-FM Flush Mount Kit allows the MXA710 Linear Array to be mounted flush within a table, wall, or hard ceiling surface for an improved appearance while maintaining acoustic performance. The mount securely houses the microphone and provides knockouts for convenient cable routing as well as a cutting template to simplify installation. The flush mount kit frame is paintable to match the table surface if desired. The frame can also be covered with acoustically transparent cloth available from approved third-party suppliers.

Installing the MXA710 Flush Mount

You can install the flush mount on tables and in drywall (wall or ceiling). The installation process is the same.

Before installation, confirm that the mounting surface meets the following requirements:

- 0.375 to 2 in. (9.5 to 50.8 mm) thickness
- Minimum of 3.62 in. (92 mm) of open space behind the mounting surface and any other structure
- No wall studs behind drywall mounting location

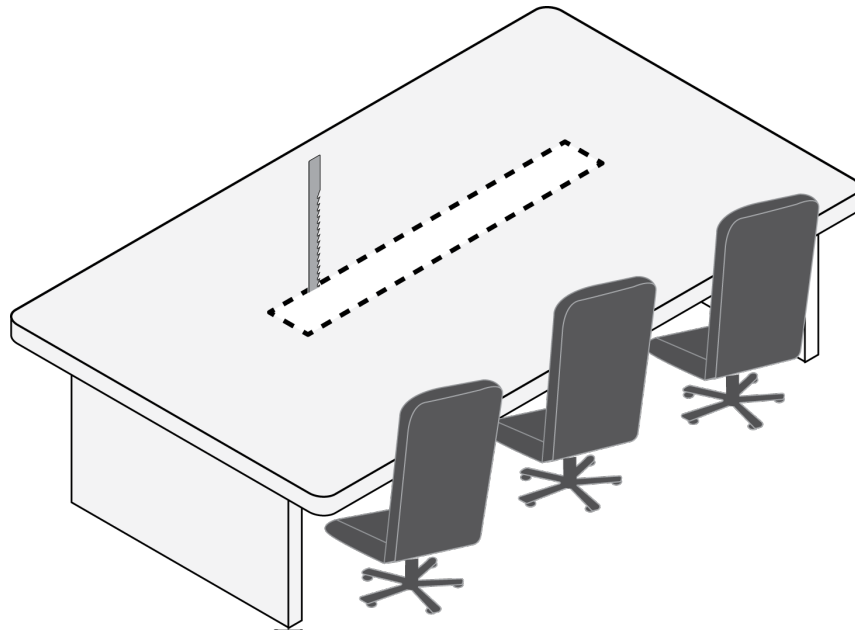
Flush mount dimensions:

- A710-FM-2FT: 3.67 x 4.53 x 27.21 in. (93.25 x 115 x 691.03 mm) H x W x L
- A710-FM-4FT: 3.67 x 4.53 x 51.29 in. (93.25 x 115 x 1302.76 mm) H x W x L

To get started, you will need:

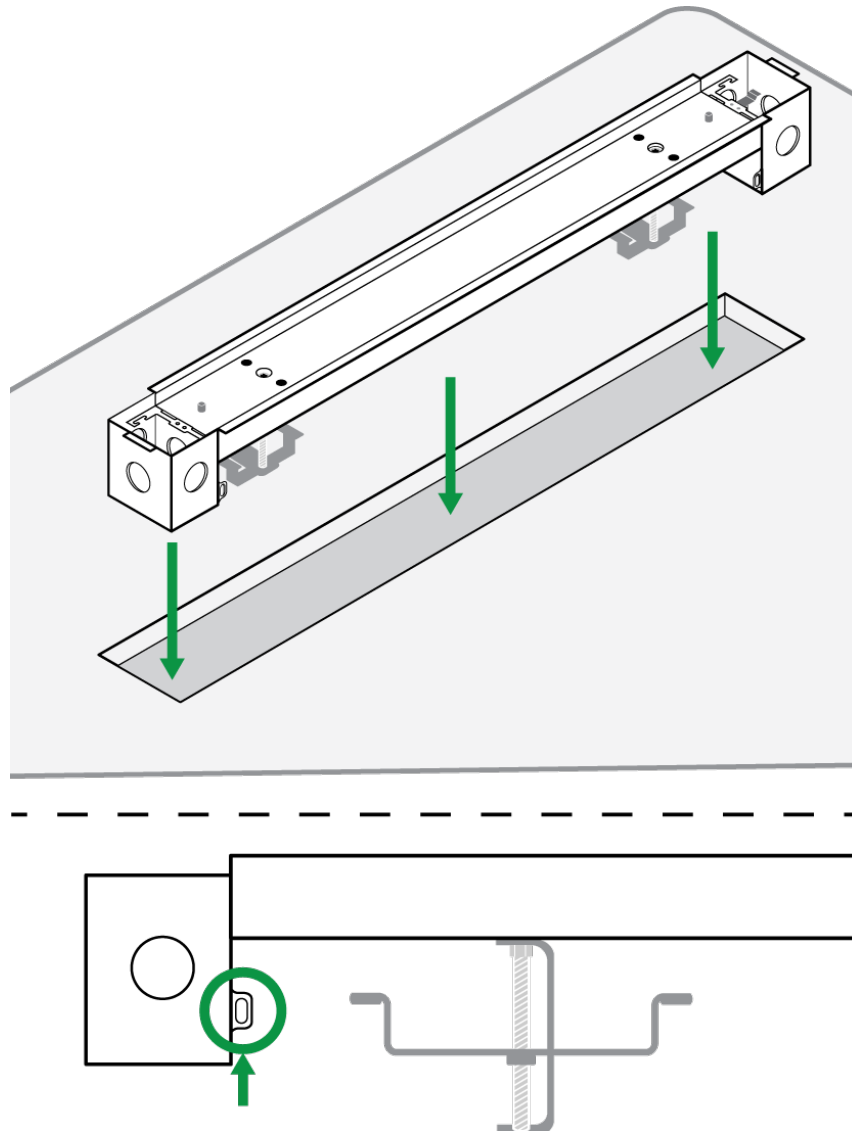
- Jigsaw or other cutting tool
- Flush mount
- Flush mount frame
- Mounting template
- Screwdriver
- Cat5e (or better) Ethernet cable

1. Attach the mounting template to the surface. Use the template as a guide to cut an opening in the surface:
 - A710-FM-2FT: 26.25 x 3.5 in. (666.75 x 88.90 mm)
 - A710-FM-4FT: 50.25 x 3.5 in. (1276.35 x 88.90 mm)

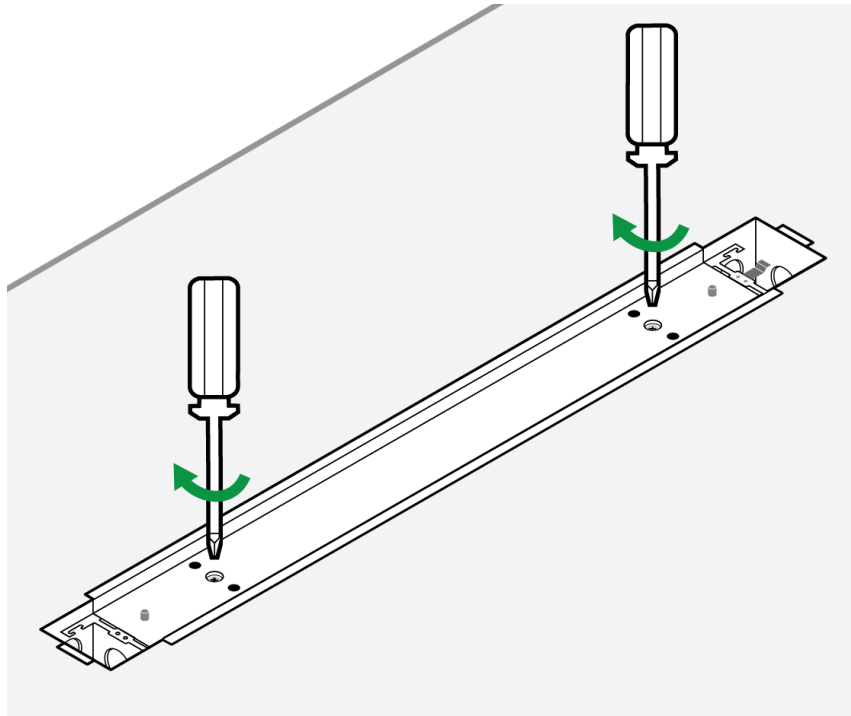


2. Place the flush mount in the opening. The clamping brackets should be parallel to the flush mount.

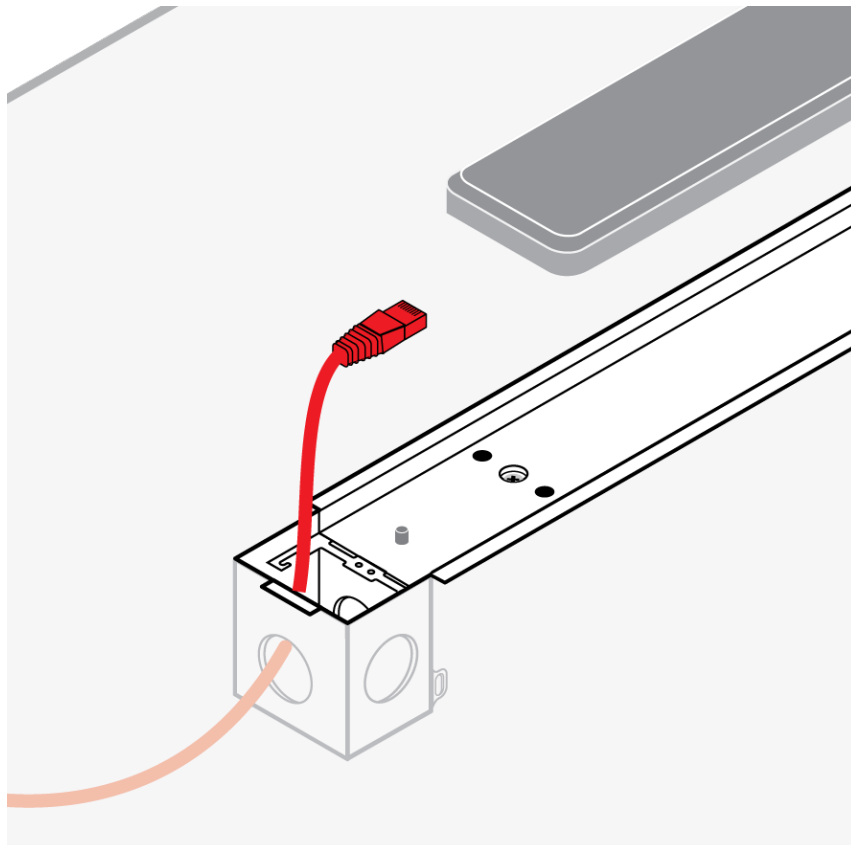
Ceiling installations: Attach the safety tether between the building structure and one of the 4 tie-off points using braided metal cable or other high-strength wire (not included). Follow any local regulations.



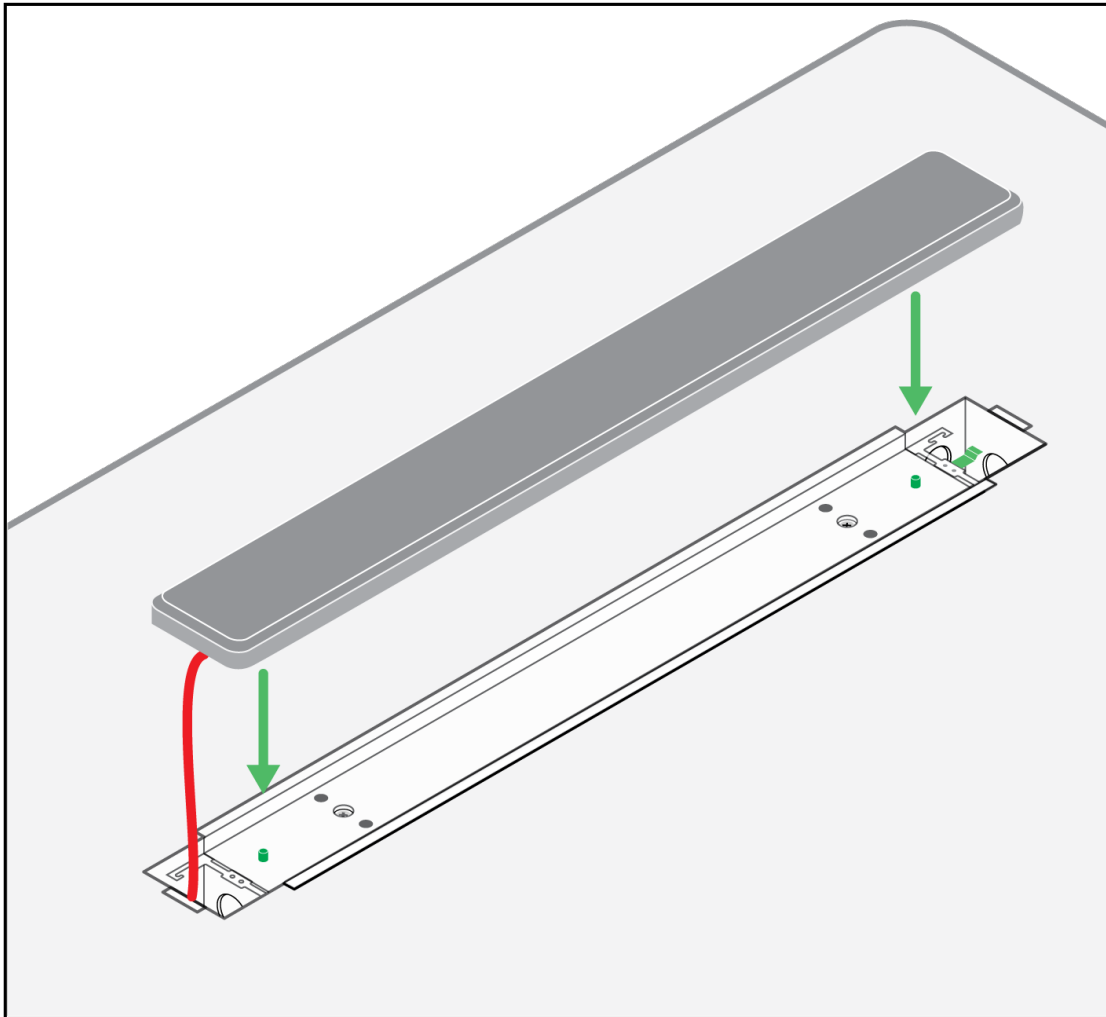
3. Tighten the 2 screws until the flush mount is securely attached. As you tighten the screws, the clamping brackets rotate to hold the flush mount in place.



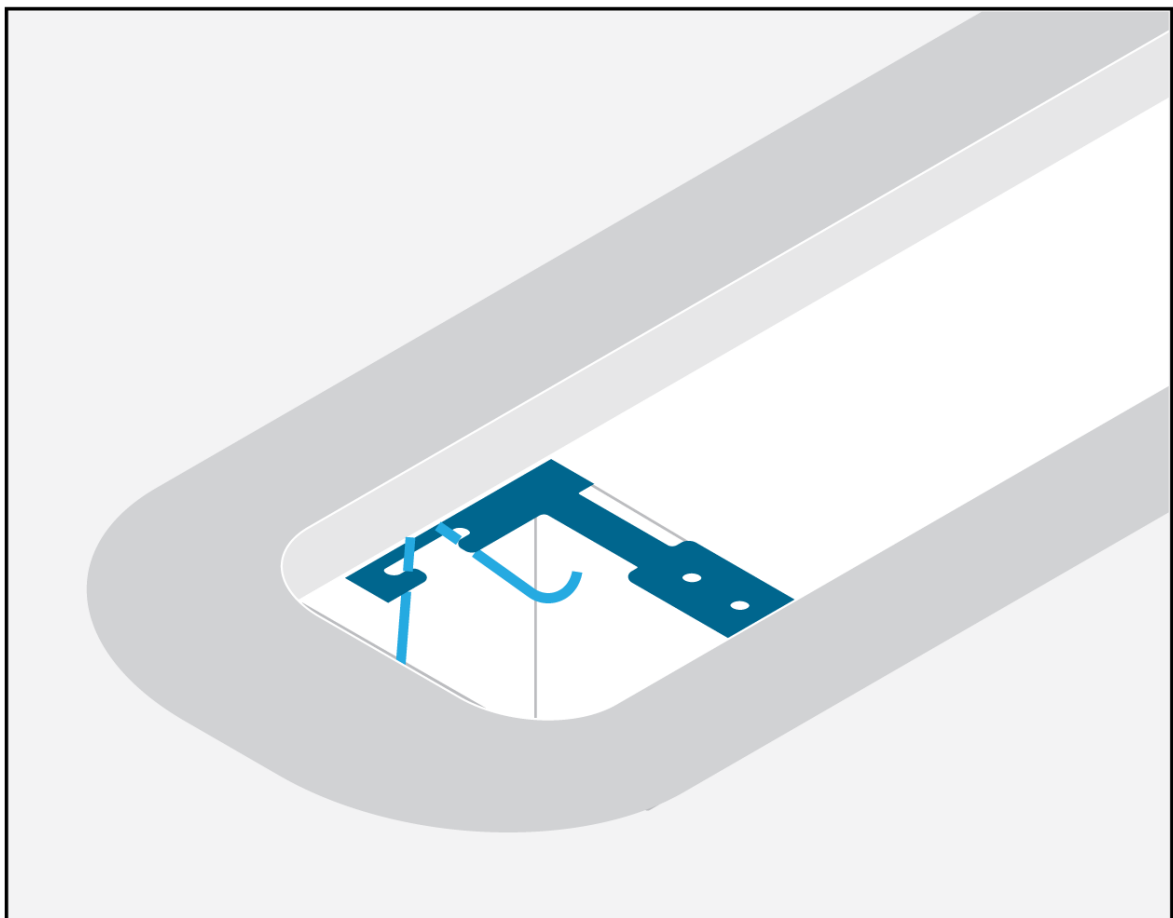
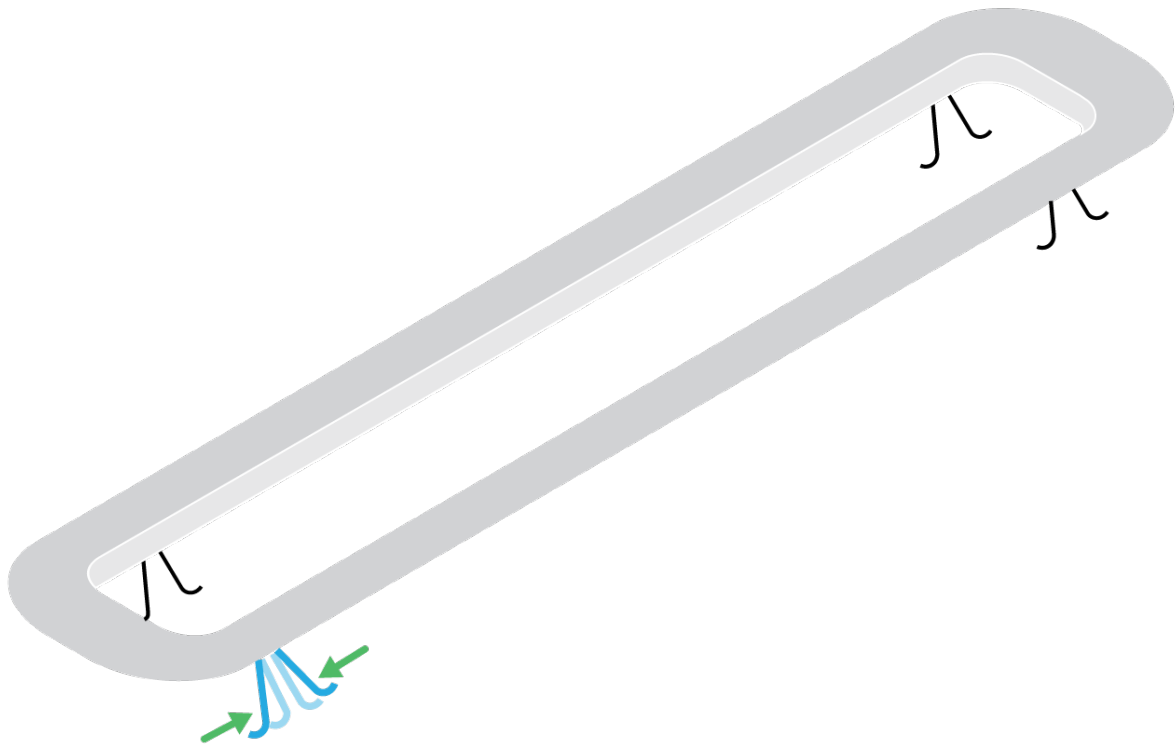
4. Thread the Ethernet cable through the opening on the bottom of the flush mount and attach it to the microphone. Leave enough slack in the cable so that you can lift the microphone out of the flush mount in the future.



5. Align the holes on the bottom of the microphone with the raised posts on the flush mount. The metal tab on the flush mount also aligns with a square cutout on the bottom of the microphone. Place the microphone in the flush mount and slide it into place.

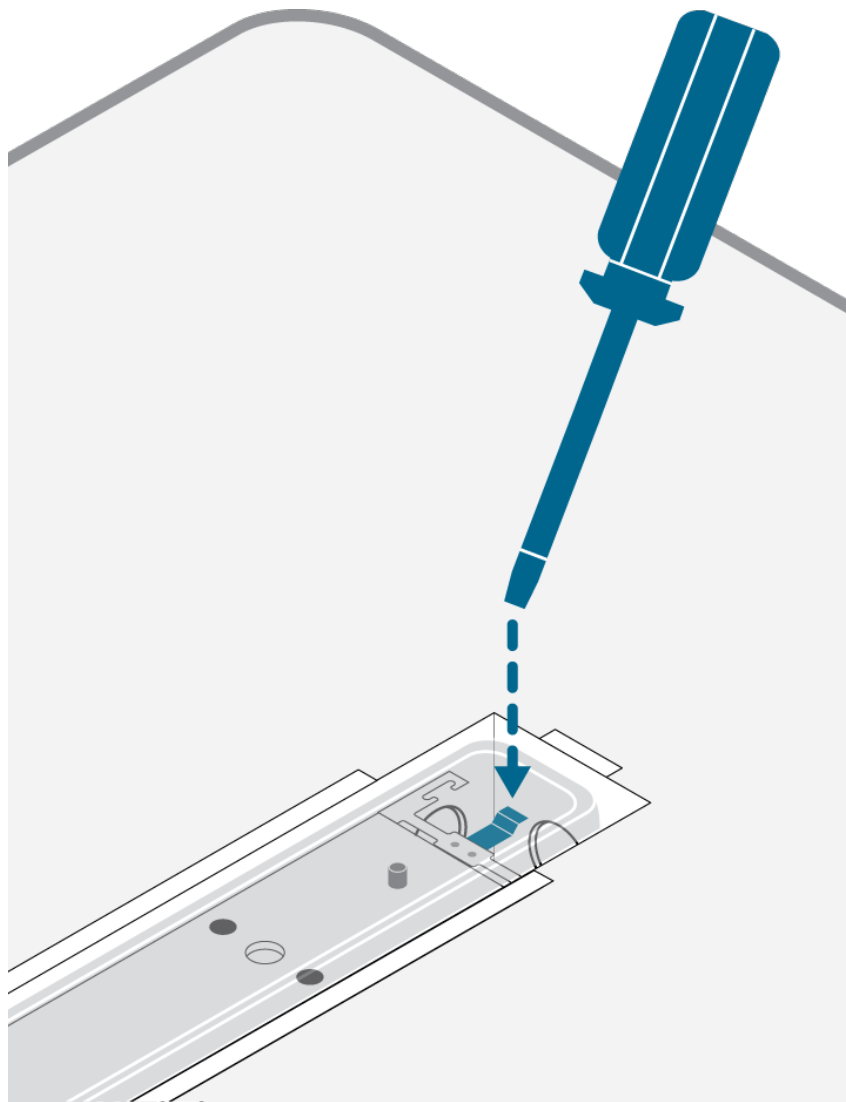


6. The flush mount frame has 4 clips that fit into slots at the corners of the flush mount. Squeeze each clip to fit it into the slot. It's easiest to hook one side of the clip into the slot at a time.



Removing the Microphone from the Flush Mount

1. Remove the flush mount frame by squeezing each clip together. Pull frame away so the tape releases and lift it out of the slot.
2. Using a screwdriver or other tool, press the metal tab under the microphone.
3. Slide the microphone toward the tab, and then lift it out of the flush mount.



IMPORTANT SAFETY INSTRUCTIONS

1. READ these instructions.
2. KEEP these instructions.
3. HEED all warnings.
4. FOLLOW all instructions.
5. DO NOT use this apparatus near water.
6. CLEAN ONLY with dry cloth.

7. DO NOT block any ventilation openings. Allow sufficient distances for adequate ventilation and install in accordance with the manufacturer's instructions.
8. DO NOT install near any heat sources such as open flames, radiators, heat registers, stoves, or other apparatus (including amplifiers) that produce heat. Do not place any open flame sources on the product.
9. DO NOT defeat the safety purpose of the polarized or grounding type plug. A polarized plug has two blades with one wider than the other. A grounding type plug has two blades and a third grounding prong. The wider blade or the third prong are provided for your safety. If the provided plug does not fit into your outlet, consult an electrician for replacement of the obsolete outlet.
10. PROTECT the power cord from being walked on or pinched, particularly at plugs, convenience receptacles, and the point where they exit from the apparatus.
11. ONLY USE attachments/accessories specified by the manufacturer.
12. USE only with a cart, stand, tripod, bracket, or table specified by the manufacturer, or sold with the apparatus. When a cart is used, use caution when moving the cart/apparatus combination to avoid injury from tip-over.



13. UNPLUG this apparatus during lightning storms or when unused for long periods of time.
14. REFER all servicing to qualified service personnel. Servicing is required when the apparatus has been damaged in any way, such as power supply cord or plug is damaged, liquid has been spilled or objects have fallen into the apparatus, the apparatus has been exposed to rain or moisture, does not operate normally, or has been dropped.
15. DO NOT expose the apparatus to dripping and splashing. DO NOT put objects filled with liquids, such as vases, on the apparatus.
16. The MAINS plug or an appliance coupler shall remain readily operable.
17. The airborne noise of the Apparatus does not exceed 70dB (A).
18. Apparatus with CLASS I construction shall be connected to a MAINS socket outlet with a protective earthing connection.
19. To reduce the risk of fire or electric shock, do not expose this apparatus to rain or moisture.
20. Do not attempt to modify this product. Doing so could result in personal injury and/or product failure.
21. Operate this product within its specified operating temperature range.

	<p>This symbol indicates that dangerous voltage constituting a risk of electric shock is present within this unit.</p>
	<p>This symbol indicates that there are important operating and maintenance instructions in the literature accompanying this unit.</p>