



APPLICATIONS

- Shopping malls
- Large scale distribution
- Auditoriums
- Hotels & Conferences
- Theaters
- Foreground music
- Casinos

2/4 channel full matrix DSP power amplifiers

PowerZone™ Connect 2U series

PowerZone™ Connect 1002 • PowerZone™ Connect 1502 • PowerZone™ Connect 2004 / 2004D • PowerZone™ Connect 3004 / 3004D

The PowerZone™ Connect 2U series is a line of ultra-reliable, full-matrix DSP-enabled Class-D amplifiers that delivers exceptional system configuration and flexible output, with a total system power ranging from 1000W to 3000W. The amplifiers have built in Wireless-Access-Point (WAP) for the simple connection and easy system setup via Wi-Fi.

- ✓ Full rack form factor
- ✓ Full-matrix DSP configuration via PowerZone™ Control web app (built-in)
- ✓ Hybrid power distribution in both Lo-Z and Hi-Z
- ✓ Powered by Pascal UMAC™ Class-D technology
- ✓ UREC™ universal power supply with PFC
- ✓ Flexible power sharing across output channels
- ✓ Audinate Dante® AoIP compatibility (optional)
- ✓ S/PDIF input/output
- ✓ Configurable GPIO
- ✓ ErP and Energy Star compliant
- ✓ UL listed audio equipment
- ✓ 5 Year warranty

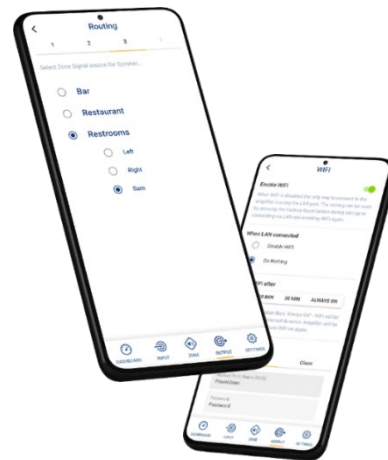
WEB APP

PowerZone™ Control

Our web app, PowerZone™ Control, is the most versatile DSP controller available for configuring audio/voice systems in locations requiring multi-zone audio set up with multiple mic talk overs.

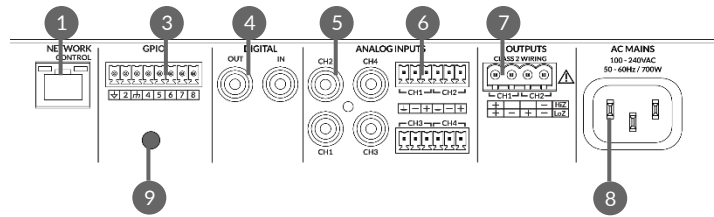
PowerZone™ Control facilitates effortless customization of even the most detailed audio/voice systems and adept management of multiple DSP configurations and tuning features, such as multi-zone setup, input mixing, priority and ducking, restriction, input and output EQ, S/PDIF output routing, high-pass filter, speaker management and presets, delay, Wall-S1 controller configuration, Sine generator, and much more.

PowerZone™ Control caters to the demanding requirements of advanced system installs in locations such as retail stores, restaurants, hotels, educational facilities, theatres, bars, cafes, fitness locations, vast hospitality spaces, and spaces with multiple meeting/conference rooms.

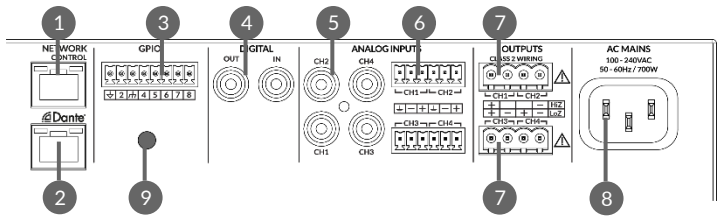


PowerZone™ Control is embedded in our PowerZone™ Connect full Matrix DSP amplifiers, and can be accessed from any device and browser via the PowerZone™ Connect built-in Wi-Fi or RJ45 network port.

2 channel PowerZone™ Connect 1002 & 1502



4 channel PowerZone™ Connect 2004/2004D & 3004/3004D



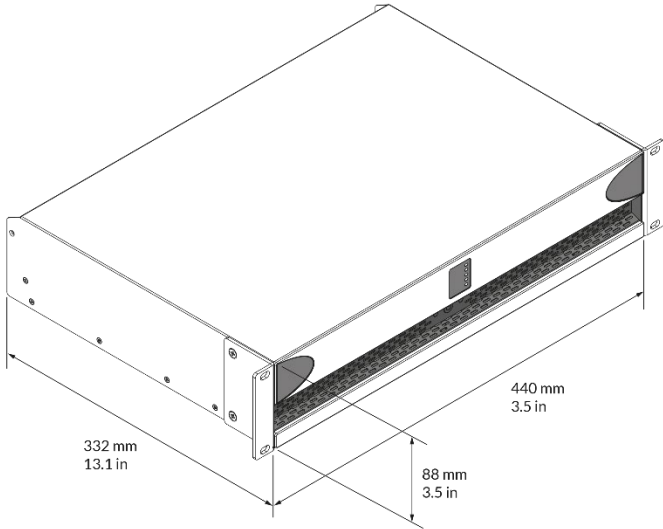
1. RJ45 Network port
2. Audinate Dante® RJ45 port (2004D/3004D only)
3. Wall control input – Mute/Std +more – Selectable in Control SW
4. Digital audio in/out – (S/PDIF)
5. 4 x Unbalanced RCA input
6. Balanced inputs – Mic input on CH1 and CH2 – Sensitivity selectable in Control SW
7. 4 x Lo-Z outputs or 2 x Hi-Z outputs (model depending)
8. Mains Power IEC 90-268Vac input
9. Wi-Fi antenna

Model	PowerZone™ Connect 1002	PowerZone™ Connect 1502	PowerZone™ Connect 2004/2004D	PowerZone™ Connect 3004/3004D
Channels	2 x Lo-Z/1 x Hi-Z	2 x Lo-Z/1 x Hi-Z	4 x Lo-Z/2 x Hi-Z	4 x Lo-Z/2 x Hi-Z
Output Power @ 2Ω	2 x 500 W (SE)*	2 x 750 W (SE)	4 x 500 W (SE)	4 x 750 W (SE)
Output Power @ 4Ω	2 x 500 W (SE) 1 x 1000 W (BTL)**	2 x 750 W (SE) 1 x 1500 W (BTL)	4 x 500 W (SE) 2 x 1000 W (BTL)	4 x 750 W (SE) 2 x 1500 W (BTL)
Output Power @ 8Ω	2 x 250 W (SE) 1 x 1000 W (BTL)	2 x 400 W (SE) 1 x 1500 W (BTL)	4 x 250 W (SE) 2 x 1000 W (BTL)	4 x 400 W (SE) 2 x 1500 W (BTL)
Output Power @ 70V	1 x 1000 W (BTL)	1 x 1200 W (BTL)	2 x 1000 W (BTL)	2 x 1200 W (BTL)
Output Power @ 100V	1 x 1000 W (BTL)	1 x 1500 W (BTL)	2 x 1000 W (BTL)	2 x 1500 W (BTL)
Total System Power	1000 W	1500 W	2000 W	3000 W
Power Consumption	350 W	350 W	700 W	700 W
Output Voltage	45 Vrms (S.E) - 90 Vrms (BTL) - 70/100V (Hi-Z)	55 Vrms (S.E) - 110 Vrms (BTL) - 70/100V (Hi-Z)	45 Vrms (S.E) - 90 Vrms (BTL) - 70/100V (Hi-Z)	55 Vrms (S.E) - 110 Vrms (BTL) - 70/100V (Hi-Z)
Weight	5.9 kg	5.9 kg	7.4 kg	7.4 kg
Dimensions	88 x 440 x 332 mm (3.5 x 17.3 x 13.1 in)			
Output Circuitry	UMAC™ Class D - full bandwidth PWM modulator with ultra-low distortion			
Signal To Noise-Ratio	>108 dB (A-weighted, 20 Hz-20 kHz, 8 Ω load)			
THD+N (typical)	< 0.05 % (20 Hz-20 kHz, 8 Ω load, 3 dB below rated power)			
Frequency Response	20 Hz-20 kHz (+0/-0.5 dB (8 Ω load, 3 dB below rated power)			
Protection Circuits	Short circuit -, DC -, Undervoltage -, Temperature - and Overload protection			
Power Supply	UREC™ universal mains switch mode power supply with Power Factor Correction (PFC) and standby converter			
Operating temperature	0-40° C			
Operating Voltage/Frequency	Universal Mains, 100 V-240 V, 50 Hz-60 Hz			
Standby Consumption	<0.5 W			
Options	Audinate Dante® AoIP compatibility [PowerZone™ Connect 2004D/3004D only]			
Accessories	2x rack ears, 4 x adhesive feet			
Power Ratings	Output power measured @ 1% THD at 120VAC 60Hz and 230VAC 50Hz			

*SE - conventional, single ended output mode **BTL - bridge-tied load output mode

DIMENSIONS

2 and 4 channel PowerZone™ Connect 2U series



HEAT DISSIPATION

PowerZone™ Connect	Load [Ohm]	Pin [W]	Pout [W] 1/8 th Full Power	Efficiency [%]	Thermal Loss [W]	Thermal Loss [BTU/h]
1002	4	174	125	71.8	49	167
1502	4	247	187.5	75.9	59.5	203
2004/2004D	4	346	250	72.2	96	327
3004/3004D	4	498	375	75.3	123	419
1002	2	191	125	65.4	66	225
1502	2	275	187.5	68.2	87.5	298
2004/2004D	2	378	250	66.6	128	436
3004/3004D	2	545	375	68.9	170	580