



APPLICATIONS

- Bars and Cafes
- Restaurants
- Retail stores
- Fitness centres
- Hotels and Education Sites
- Corporate
- House of Worship

2/4 channel full matrix DSP power amplifiers

PowerZone™ Connect 1U series

PowerZone™ Connect 122 / 122D • PowerZone™ Connect 252 • PowerZone™ Connect 254 • PowerZone™ Connect 504 / 504D

The PowerZone™ Connect 1U series is a line of DSP-enabled Class-D amplifiers designed to make system installers' lives easier, offering unparalleled reliability and efficiency, along with exceptional system configuration. The amplifiers have built in Wireless-Access-Point (WAP) for the simple connection and easy system setup via Wi-Fi.

- ✓ Ultra-compact ½-rack form factor
- ✓ Full-matrix DSP configuration via PowerZone™ Control web app (built-in)
- ✓ Hybrid power distribution in both Lo-Z and Hi-Z
- ✓ Powered by Pascal UMAC™ Class-D technology
- ✓ Flexible power sharing across output channels
- ✓ S/PDIF input/output
- ✓ Audinate Dante® AoIP compatibility (optional)
- ✓ Configurable GPIO
- ✓ ErP and Energy Star compliant
- ✓ UL listed audio equipment
- ✓ URECTM universal power supply with PFC
- ✓ 5 Year warranty

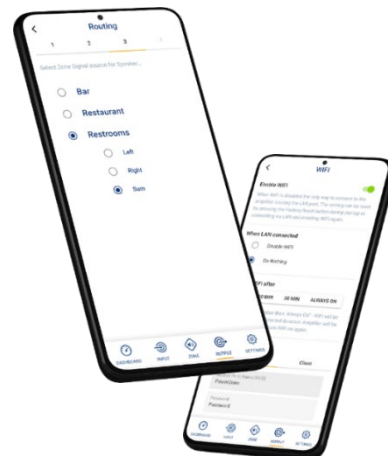
WEB APP

PowerZone™ Control

Our web app, PowerZone™ Control, is the most versatile DSP controller available for configuring audio/voice systems in locations requiring multi-zone audio set up with multiple mic talk overs.

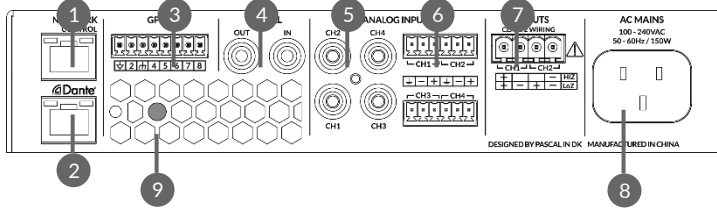
PowerZone™ Control facilitates effortless customization of even the most detailed audio/voice systems and adept management of multiple DSP configurations and tuning features, such as multi-zone setup, input mixing, priority and ducking, restriction, input and output EQ, S/PDIF output routing, high-pass filter, speaker management and presets, delay, Wall-S1 controller configuration, Sine generator, and much more.

PowerZone™ Control caters to the demanding requirements of advanced system installs in locations such as retail stores, restaurants, hotels, educational facilities, theatres, bars, cafes, fitness locations, vast hospitality spaces, and spaces with multiple meeting/conference rooms

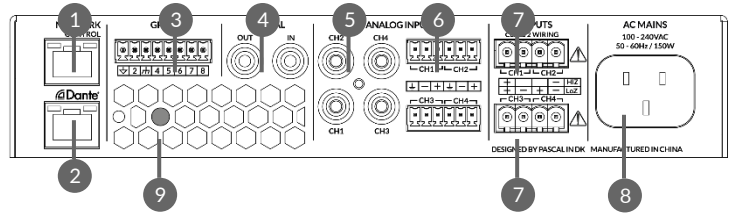


PowerZone™ Control is embedded in our PowerZone™ Connect full Matrix DSP amplifiers, and can be accessed from any device and browser via the PowerZone™ Connect built-in Wi-Fi or RJ45 network port.

2 channel PowerZone™ Connect 122/122D & 252



4 channel PowerZone™ Connect 254 & 504/504D



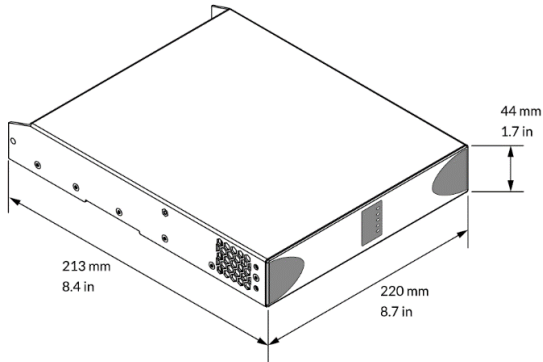
1. RJ45 Network port
2. Audinate Dante® RJ45 port (122D/504D only)
3. Wall control input – Mute/Std +more – Selectable in Control SW
4. Digital audio in/out – (S/PDIF)
5. 4 x Unbalanced RCA input
6. Balanced inputs – Mic input on CH1 and CH2 – Sensitivity selectable in Control SW
7. 4 x Lo-Z outputs or 2 x Hi-Z outputs (model depending)
8. Mains Power IEC 90-268Vac input
9. Wi-Fi antenna

Model	PowerZone™ Connect 122/122D	PowerZone™ Connect 252	PowerZone™ Connect 254	PowerZone™ Connect 504/504D
Total System Power	125 W	250 W	250 W	500 W
Output Power @ 4/8Ω	2 x 60 W	2 x 125 W	4 x 60 W	4 x 125 W
Output Power @ 70/100V*	1 x 125 W	1 x 250 W	2 x 125 W	2 x 250 W
Powershare (up to) Across all channels**	1 x 125 W	1 x 250 W	1 x 250 W	2 x 250 W
Total System Power	125 W	250 W	250 W	500 W
Power Consumption	75W	75W	75W	150W
Dimensions	44 x 220 x 213 mm (1.7 x 8.7 x 8.4 in)	44 x 220 x 213 mm (1.7 x 8.7 x 8.4 in)	44 x 220 x 319 mm (1.7 x 8.7 x 12.6 in)	44 x 220 x 319 mm (1.7 x 8.7 x 12.6 in)
Weight	2kg (4.4 lbs)	2kg (4.4 lbs)	2.8kg (6.2 lbs)	2.8kg (6.2 lbs)
Output Circuitry	UMAC™ Class D - full bandwidth PWM modulator with ultra-low distortion			
Output Voltage	45Vrms (S.E) - 70/100V (Hi-Z)			
Signal To Noise-Ratio	>106dB (A-weighted, 20Hz-20kHz, 8Ω load)			
THD+N (typical)	< 0.05% (20Hz-20kHz, 8Ω load, 3dB below rated power)			
Frequency Response	20Hz-20kHz (+0/-0.25dB (8Ω load, 3dB below rated power)			
Protection Circuits	Short circuit -, DC -, Undervoltage -, Temperature - and Overload protection			
Power Supply	UREC™ universal mains switch mode power supply with Power Factor Correction (PFC) and standby converter			
Operating temperature	0-40°C			
Operating Voltage/Frequency	Universal Mains, 100V-240V, 50Hz-60Hz			
Standby Consumption	< 0.5W			
Options	Audinate Dante® AoIP compatibility [PowerZone™ Connect 122D/504D only]			
Accessories	2x Rack ears 1x ½ rack plate extension 2x ½ rack mounting 2x Rear supports			
Power Ratings	Output power measured @ 1% THD at 120VAC 60Hz and 230VAC 50Hz			

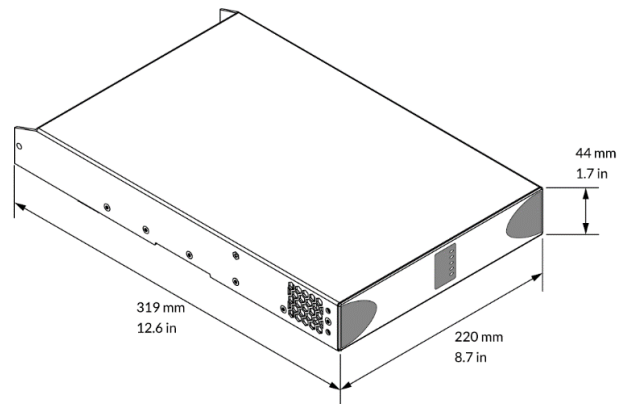
*100V line mode is @ -1dB **504 may only Powershare across Ch1/2 and Ch3/4

DIMENSIONS

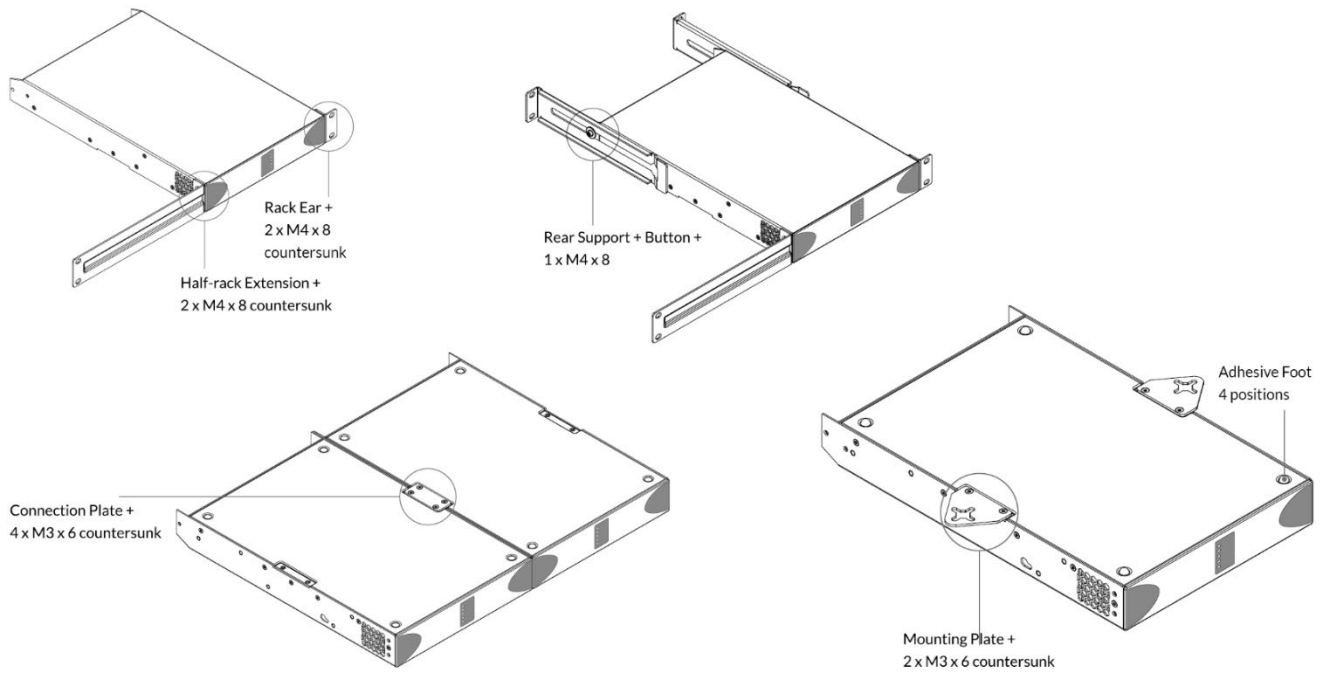
2 Channel PowerZone™ Connect 122/122D & 252



4 Channel PowerZone™ Connect 254 & 504/504D



ACCESSORIES



HEAT DISSIPATION

PowerZone™ Connect	Load [Ohm]	Pin [W]	Pout [W] 1/8 th Full Power	Efficiency [%]	Thermal Loss [W]	Thermal Loss [BTU/h]
122/122D	4	32.8	15	45.7	17.8	61
252	4	54.1	31.25	57.8	22.85	78
254	4	58.7	30	51.1	28.7	98
504/504D	4	107	62.5	58.6	44.5	152