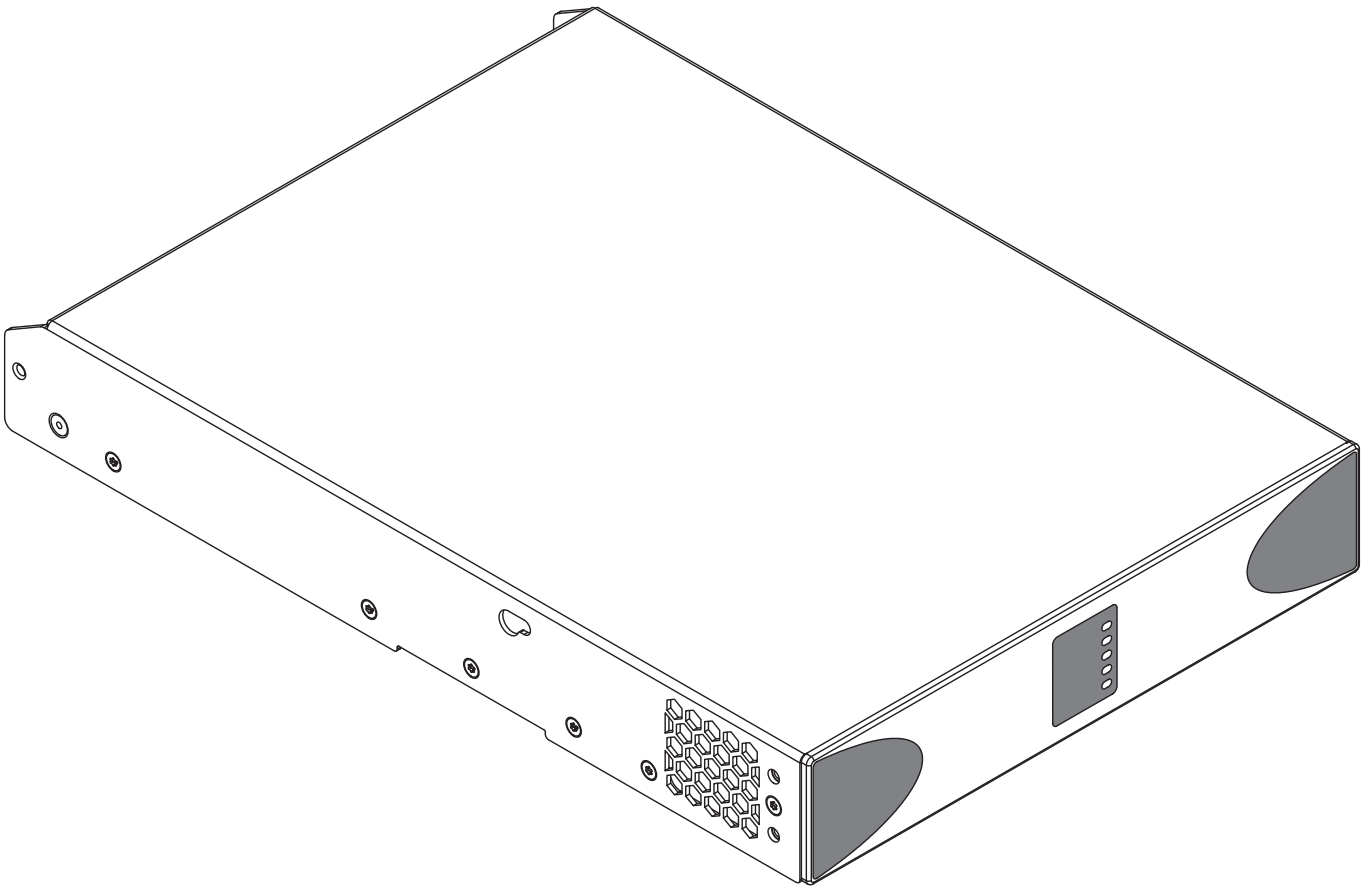


# BLAZE



## INSTALLATION GUIDE / USER MANUAL

PowerZone™ Connect 122/122D • PowerZone™ Connect 252  
PowerZone™ Connect 254 • PowerZone™ Connect 504/504D

# Technical and Safety Notices

Please read the following important technical, safety and environmental notices before installing and using your amplifier.

## Technical Notices

All reasonable design and engineering steps have been taken to ensure that these amplifiers always perform satisfactorily in their intended application and environment and will provide appropriate levels of support to ensure that all reasonable customer needs and expectations are met. Such support however is contingent on the following provisions.

1. These amplifiers are Class-I products and should be installed with a mains cable including the required earth connection to comply with the Safety Class-I.
2. These amplifiers should always be installed by competent and qualified personnel. Amplifier damage or failure caused by installation or operational errors may invalidate support, warranty or guarantees of performance.
3. These amplifiers are not suitable for use in locations where they may be accessible to minors.
4. These amplifiers are intended to be used specifically for the amplification of audio signals and for connection to moving-coil loudspeaker systems. Use of these amplifiers for amplification of signals outside the audio band (20Hz to 20kHz) or to drive transducers other than moving-coil loudspeakers may invalidate support, warranty or guarantees of performance.
5. These amplifiers should only be used within professionally installed and configured audio systems comprising input and output ancillary equipments that is known to be of an appropriate level of performance and in good operating condition. Any damage to, or unsatisfactory performance from, these amplifiers caused by inadequate or failed input or output ancillaries may invalidate support, warranty or guarantees of performance.
6. These amplifiers are intended to be installed and operated indoor in a controlled environment (pollution degree, PD2) within an ambient temperature range of 0°C to 40°C. These amplifiers are not intended for use above 2000 meters above sea level. Amplifiers installed or operated in environments outside these limits may invalidate support, warranty or guarantees of performance.
7. Specific warranty terms are the responsibility of the amplifier re-seller.

## Safety and Environmental Notices

*Note: The intent of the lightning flash with arrowhead symbol in a triangle is to alert the user to the presence of uninsulated "dangerous" voltage within the product's enclosure that may be of sufficient magnitude to constitute a risk of electric shock to humans.*

*Note: The intent of the exclamation point within an equilateral triangle is to alert the user to the presence of important safety, and operating and maintenance instructions in this manual.*

**WARNING! TO PREVENT FIRE OR ELECTRIC SHOCK, DO NOT EXPOSE THIS EQUIPMENT TO RAIN OR MOISTURE.**

**Ambient Temperature Note: If this equipment is operated in a confined or multiple rack installation, the internal ambient operating temperature may exceed the external ambient temperature.**



**It is important to ensure in these circumstances that the published maximum operating temperature for the equipment is not exceeded.**



**Reduced Air Flow: Ensure that rack or other closed installation does not restrict the cooling airflow required for safe and reliable operation of the equipment.**

# Technical and Safety Notices

## Important Safety Instructions

1. Read these instructions.
2. Keep these instructions.
3. Heed all warnings.
4. Follow all instructions.
5. Do not use this apparatus near water.
6. Do not submerge the equipment in water or liquids.
7. Do not use any aerosol spray, cleaner, disinfectant or fumigant on, near or into the equipment.
8. Clean only with a dry cloth.
9. Do not block any ventilation opening. Install in accordance with the manufacturer's instructions.
10. Do not install near any heat sources such as radiators, heat registers, stoves, or other apparatus (including amplifiers) that produce heat.
11. To reduce the risk of electrical shock, the power cord shall be connected to a mains socket outlet with a protective earthing connection.
12. Do not defeat the safety purpose of the polarized or grounding type plug. A polarized plug has two blades with one wider than the other. A grounding type plug has two blades and a third grounding prong. The wide blade or the third prong are provided for your safety. If the provided plug does not fit into your outlet, consult an electrician for replacement of the obsolete outlet.
13. Protect the power cord from being walked on or pinched particularly at plugs, convenience receptacles, and the point where they exit from the apparatus.
14. Do not unplug the unit by pulling on the cord, use the plug.
15. Only use attachments/accessories specified by the manufacturer.
16. Unplug this apparatus during lightning storms or when unused for long periods of time.
17. Refer all servicing to qualified service personnel. Servicing is required when the apparatus has been damaged in any way, such as power supply cord or plug is damaged, liquid has been spilled or objects have fallen into the apparatus, the apparatus has been exposed to rain or moisture, does not operate normally, or has been dropped.
18. The appliance coupler, or the AC Mains plug, is the AC mains disconnect device and shall remain readily accessible after installation.
19. Adhere to all applicable, local codes.
20. Consult a licensed, professional engineer when any doubt or questions arise regarding a physical equipment installation.

## Environmental Statement



This product complies with international directives, including but not limited to the Restriction of Hazardous Substances (RoHS) in electrical and electronic equipment, the Registration, Evaluation, Authorization and restriction of Chemicals (REACH) and the disposal of Waste Electrical and Electronic Equipment (WEEE). Consult your local waste disposal authority for guidance on how properly to recycle or dispose of this product.

# Introduction and Overview

## 1. Introduction

Blaze PowerZone™ Connect power amplifiers have been designed to provide configurable, consistent and reliable high performance audio power amplification for residential, commercial and entertainment applications.

This manual covers the features, installation and functions of the PowerZone™ Connect 122/122D, 252, 254 and 504/504D models. Please read the manual fully before installing and using an amplifier. If you have any questions regarding amplifier configuration, installation or operation please contact the appropriate customer support portal.

Following this introduction, the manual is divided into sections covering the following topics:

- 2. Overview
- 3. Carton Contents
- 4. Installation
- 5. Configuration
- 6. Connections
- 7. Operation
- 8. Specifications

## 2. Amplifier Overview

PowerZone™ Connect 122/122D, 252, 254 and 504/504D amplifiers are half rack width, 1U format power amplifiers that can drive both conventional low impedance (Lo-Z, 4Ω to 16Ω) loudspeakers and high impedance (Hi-Z, 70V/100V) transformer coupled loudspeakers. They provide four analog inputs, one stereo S/PDIF digital input, and either two or four outputs (Lo-Z mode), or one or two outputs (Hi-Z mode). PowerZone™ Connect amplifiers also incorporate automatic power sharing technology that enables power to be shared proportionately as required between pairs of outputs in Lo-Z mode. PowerZone™ Connect amplifier model output channel counts and power outputs are as follows:

### PowerZone™ Connect 122/122D

Mode	Channels	Max Rated Output per Channel
Lo-Z	Two	60 Watts
Hi-Z	One	125 Watts

### PowerZone™ Connect 252

Mode	Channels	Max Rated Output per Channel
Lo-Z	Two	125 Watts
Hi-Z	One	250 Watts

### PowerZone™ Connect 254

Mode	Channels	Max Rated Output per Channel
Lo-Z	Four	60 Watts
Hi-Z	Two	125 Watts

### PowerZone™ Connect 504/504D

Mode	Channels	Max Rated Output per Channel
Lo-Z	Four	125 Watts
Hi-Z	Two	250 Watts

# Introduction and Overview

## 2.1 Connections

PowerZone™ Connect signal input and output connections are accomplished via RCA Phono and Euroblock style connectors. A GPIO (General Purpose In/Out) Euroblock connector enables some amplifier functions to be controlled, and wireless or RJ45 socket Ethernet network connection options are also provided.

PowerZone™ Connect amplifiers have no mains power switch and are operational as soon as mains power is connected via the IEC 60320 mains socket.

## 2.2 Network Features

### PowerZone™ Control

PowerZone™ Connect amplifiers are TCP/IP network connected devices that require a wired or wireless network connection to access their configuration menus. The configuration menus are accessed via the PowerZone™ Control Web App interface and cover Input, Zone, Output and General Settings functions. The configuration menus are fully described in **Section 4** of this manual.

### Audinate Dante®

PowerZone™ Connect amplifiers are optionally compatible with Audinate Dante® audio over IP (AoIP) networks and installations.

Dante® equipped versions of PowerZone™ Connect amplifiers enable the transmission and receipt of digital audio over an Ethernet network using the IP based Dante® protocol. Configuration and management of the IP routing for Dante® digital audio, including the setting of network parameters such as IP addresses and subnet masks, is administered by Audinate's Dante® Controller software application. Dante® Controller downloads and comprehensive guidance on the configuration and installation of Dante® based audio over IP can be found at: [www.audinate.com/products/software/dante-controller](http://www.audinate.com/products/software/dante-controller).

## 2.3 External Device Remote Control

PowerZone™ Connect amplifiers are able to be controlled remotely using the Blaze Wall-S1 control panel. The Wall-S1 is an Ethernet connected wall-mounted device able to control Blaze PowerZone™ Connect amplifier volume and input source selection. The Wall-S1 is powered via a POE (Power Over Ethernet) wired connection to an appropriately specified network switch. A single Wall-S1 device can control one amplifier zone only, so remote control of multiple zones requires multiple Wall-S1 devices – each one assigned to an individual zone.

Full information on Wall-S1 installation and use can be found in the Wall-S1 installation manual available for download from: <https://blaze-audio.com/products/control/wall-s1/>

## 2.4 Dimensions

PowerZone™ Connect amplifier dimensions and features are illustrated in **Diagrams 1a and 1b**. The amplifiers are primarily intended for installation in an equipment rack but can also be under-desk or wall mounted, or used free standing. They are fan-cooled and must be installed such that ventilation apertures are not obstructed.

## 2.5 Firmware

This manual describes the features, functions and user interface of PowerZone™ Connect amplifiers running **Firmware Version 1.5.0**.



**It is strongly recommended that the firmware version installed in the amplifier in use is checked initially, and regularly thereafter. If updated firmware is available, the amplifier should be updated as a priority.**

The firmware installed in the amplifier can be identified and updated by selecting the **Device** option in the PowerZone™ Control web app **Settings Menu**. Firmware versions can be checked, and firmware downloaded, from the Blaze website: <https://blaze-audio.com/support/#Firmware>.

## 3. Carton Contents

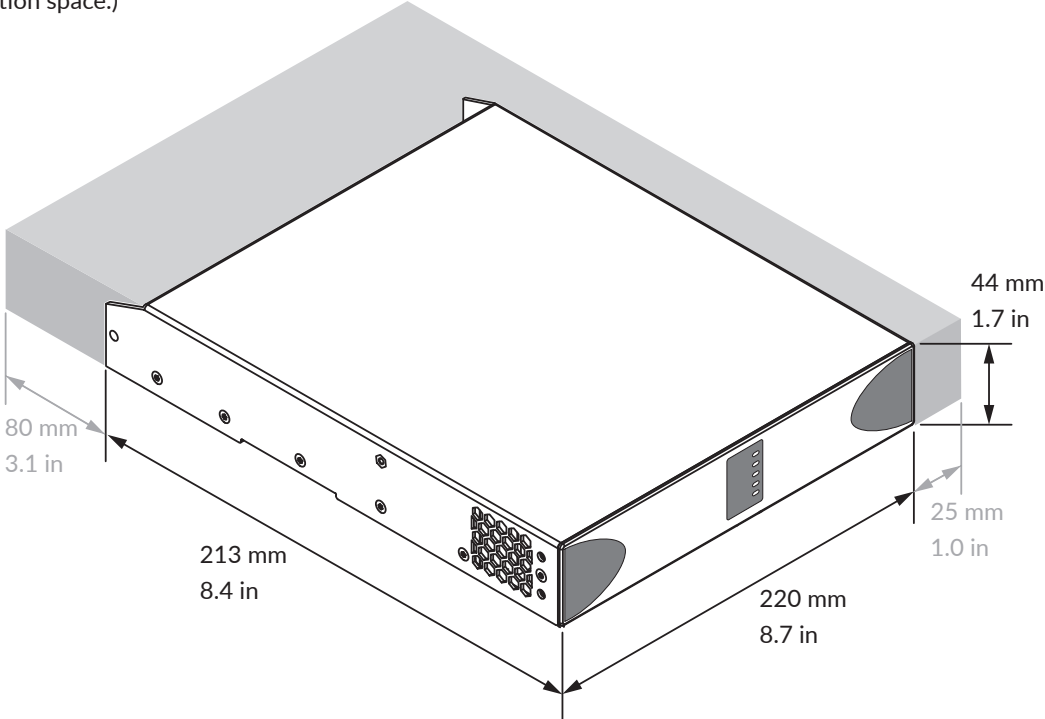
**PowerZone™ Connect** amplifiers are shipped in a cardboard carton containing the amplifier unit, a mains cable appropriate for the sales territory, an accessory pack, and a document pack. The full contents is listed below.

- Amplifier unit
- Mains power cable
- Input connector x 2
- GPIO socket connector
- Output connector x 1 or 2
- Adhesive rubber feet x 4
- Document pack

# Overview

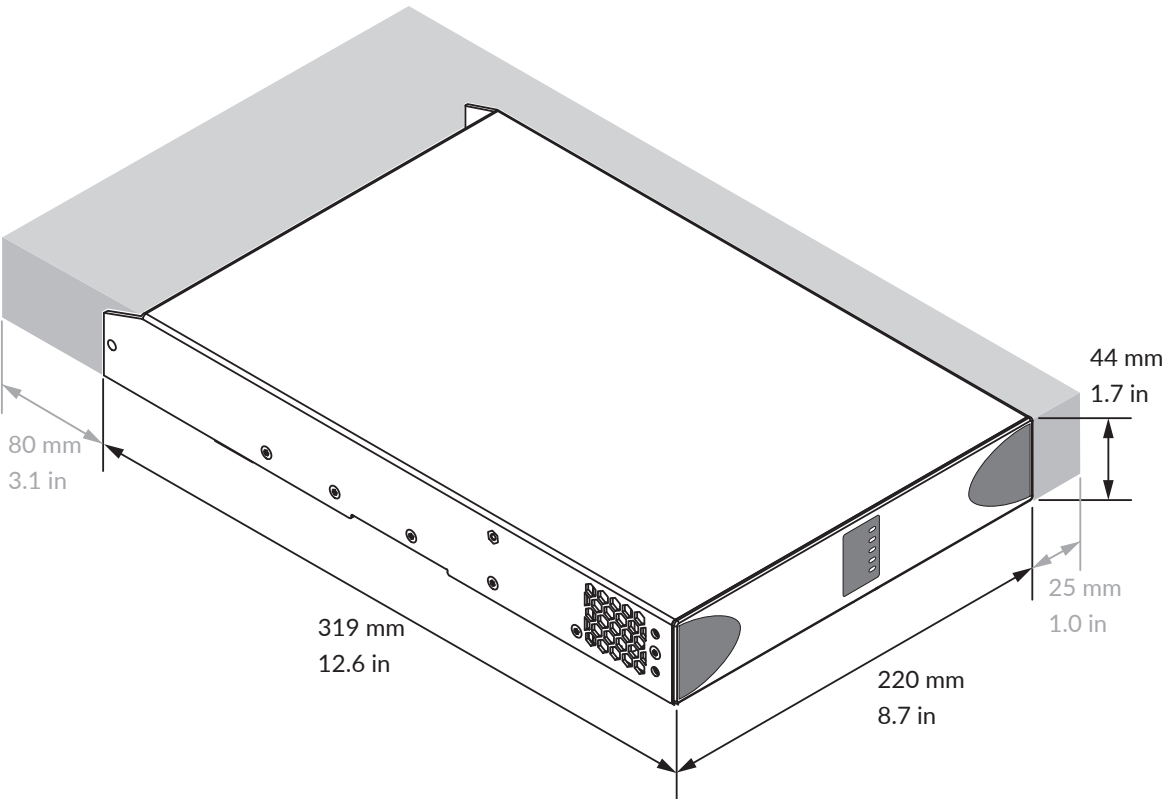
**Diagram 1a**

PowerZone™ Connect two channel amplifier dimensions.  
(Shaded area defines ventilation space.)



**Diagram 1b**

PowerZone™ Connect four channel amplifier dimensions.  
(Shaded area defines ventilation space.)



# Installation

## 4. Installation

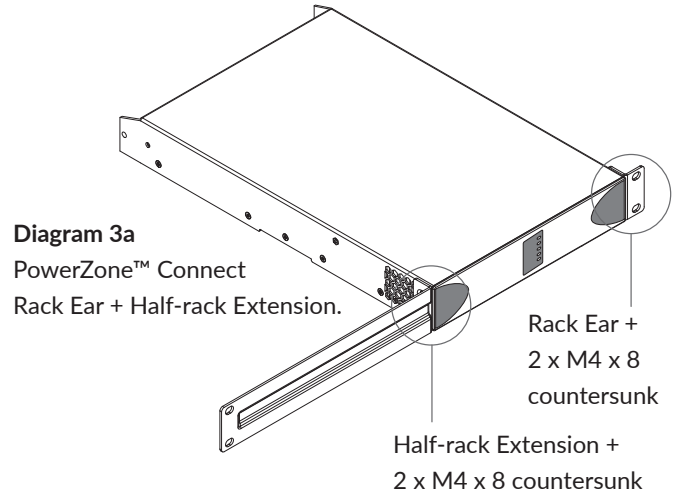
Note: The rack mounting and desk/wall mounting components described and illustrated in Sections 4.1 to 4.3 are not supplied with PowerZone™ Connect amplifiers but are available to purchase as accessories. Contact your amplifier re-seller for more information.

### 4.1 PowerZone™ Connect Mounting

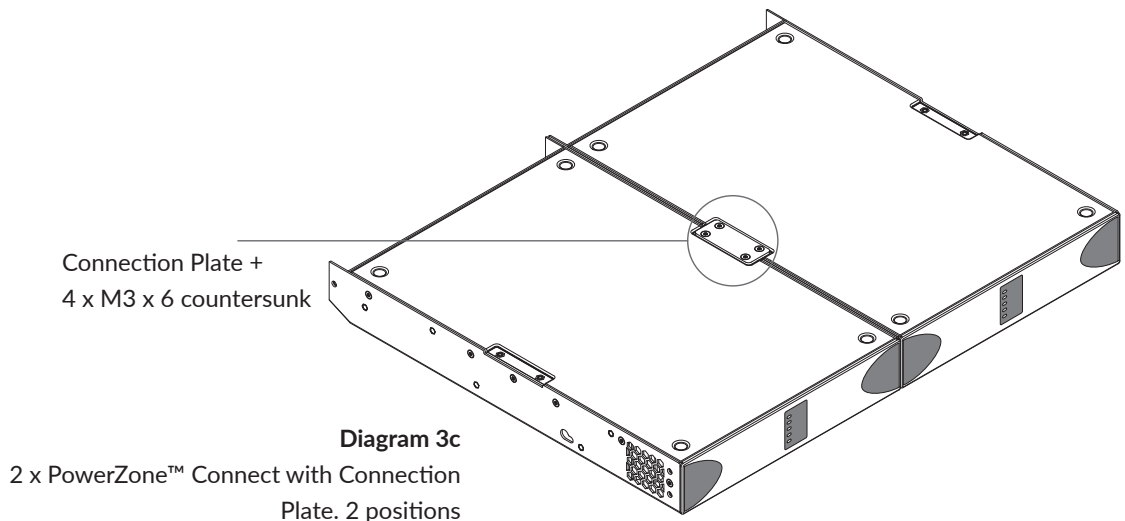
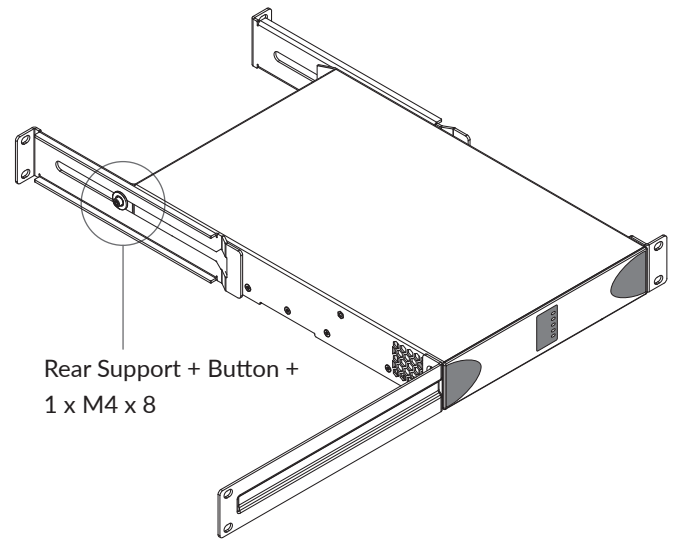
The PowerZone™ Connect amplifiers are shipped without rack mount hardware attached but can be configured for rack installation using one standard rack 'ear' and one half-rack extension piece as illustrated in **Diagram 3a**. The installation and equipment rack should be configured to provide appropriate ventilation airflow space around the sides and rear of the amplifier as illustrated in as illustrated in **Diagram 1a**. Ventilation airflow space of at least 25 mm (1 in) should be maintained along at least one side of the amplifier at all times. Ventilation apertures are also located on the rear panel of the amplifier and must not be obstructed. It is important to retain at least 80 mm (3.1 in) free space for airflow behind the amplifier rear panel.

In addition to rack mount ears, optional rack mount rear support hardware is available and can be attached to the amplifier. Rear support hardware may be appropriate if the amplifier is to be used in a mobile rack or potentially be subject to significant movement. **Diagram 3b** illustrates the use of rack mount rear support hardware.

Multiple PowerZone™ Connect amplifiers can also be mechanically connected using accessory connecting plates. **Diagram 3c** illustrates the use of connecting plates.



**Diagram 3b**  
PowerZone™ Connect  
Rack Support hardware. 2 positions.



# Installation

## 4.2 Free-standing

If not installed in an equipment rack, PowerZone™ Connect amplifiers can be placed free-standing on a flat surface. Adhesive rubber feet are supplied for this purpose.

PowerZone™ Connect amplifiers can also be attached to the underside of desks or wall mounted using connecting plate hardware. The adhesive rubber feet should also be used in these circumstances to minimise the possibility of vibration between the amplifier and mounting surface. Wall and desk mounting is illustrated in Diagrams 4a and 4b.

It is important in any free standing installation that airflow through the amplifier's side panel mounted fans and rear panel ventilation apertures is not compromised by adjacent items. At least 80mm of free space behind the amplifier and 25mm along at least one side should be retained at all times.

Diagram 4a

PowerZone™ Connect with desk/wall Mounting Plate and adhesive feet. 2 positions and 4 positions.

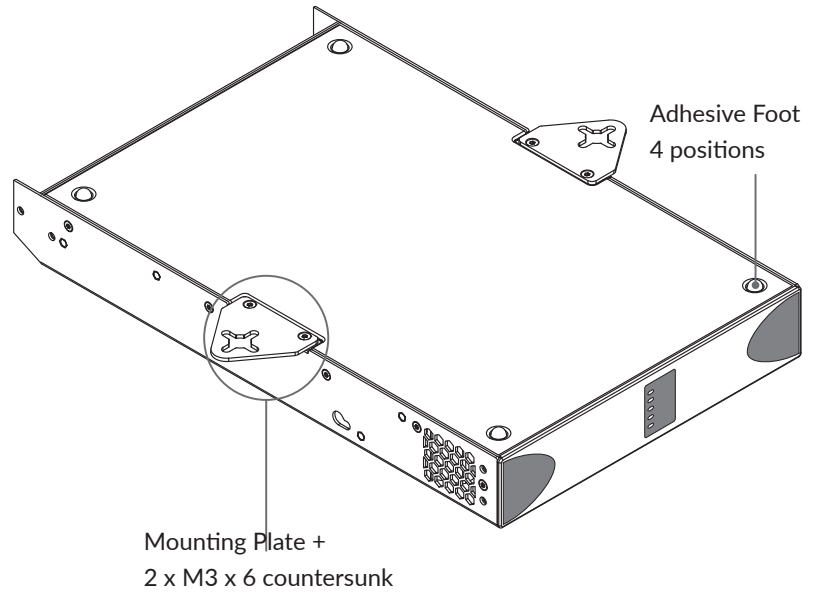
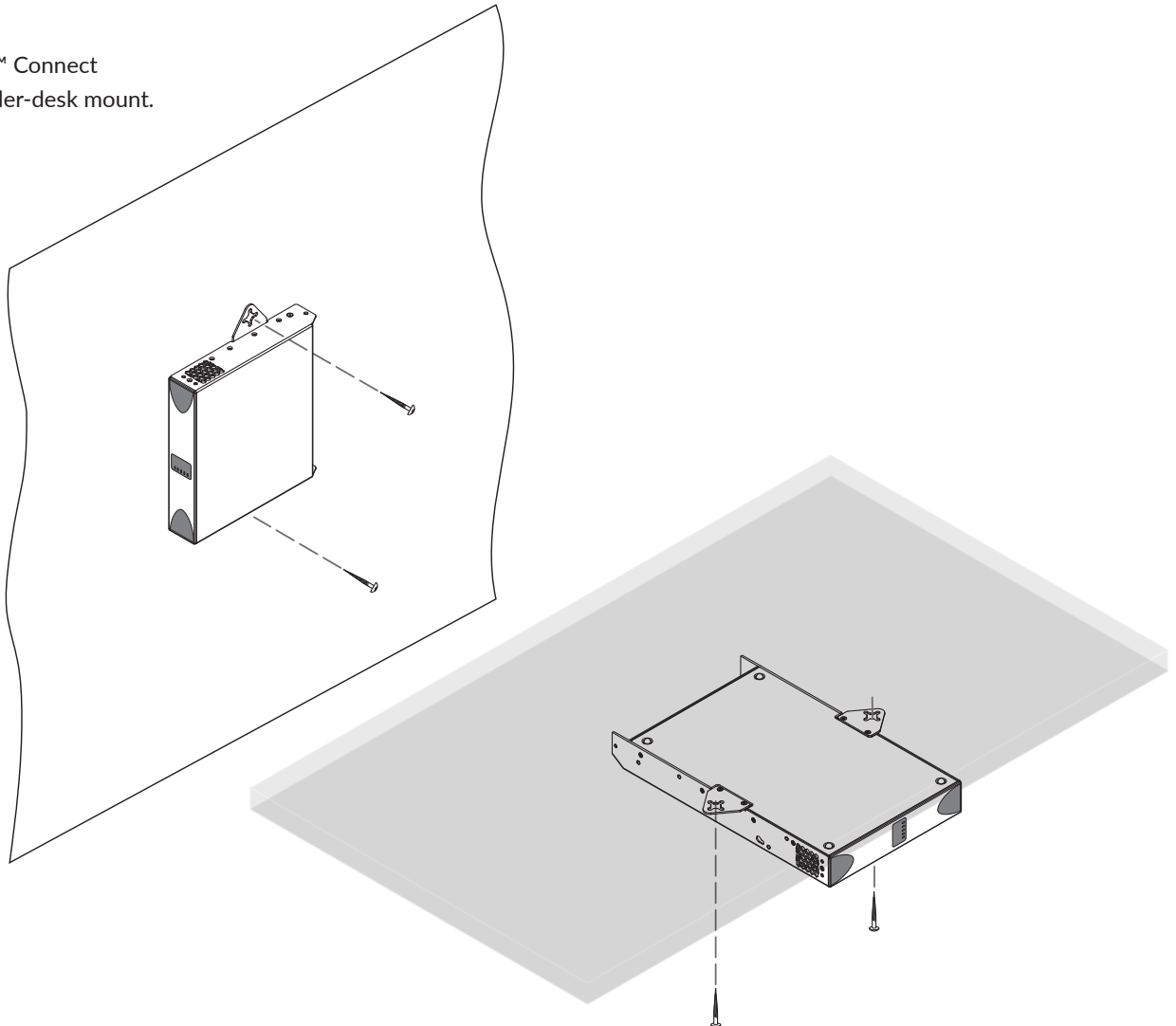


Diagram 4b

PowerZone™ Connect wall and under-desk mount.





# Configuration

## 5. Configuration

Before making input, output and GPIO connections, an initial PowerZone™ Connect amplifier configuration should be established. It is particularly important that the amplifier output format is configured appropriately for the speakers that are to be connected.

Configuration requires that PowerZone™ Connect amplifiers are connected to mains power and network services. These connections are described in the following two sections.

### 5.1 Mains Power Connection

PowerZone™ Connect amplifiers incorporate a power factor corrected power supply and can be used with mains input voltage from 100V AC to 240V AC, 50/60Hz. Use the mains cable supplied with the amplifier and connect it to a switched mains supply.

PowerZone™ Connect amplifiers have no mains power switch and are operational as soon as mains power is connected.

### 5.2 Network Services

**PowerZone™ Connect amplifiers are configured via a web page interface called PowerZone™ Control. Before the configuration menus can be accessed, PowerZone™ Connect amplifiers must be connected to the same TCP/IP network as the computer or mobile device that is to be used for configuration access.**

#### 5.2.1 Wired (Ethernet) Network Connection

To connect a PowerZone™ Connect amplifier to a TCP/IP network using a wired connection (Ethernet) follow the steps below.

1. Use an Ethernet cable to connect the PowerZone™ Connect amplifier rear panel Network Control socket (upper socket) to a free socket on a network router or switch, or directly to an Ethernet equipped laptop or desktop computer.
2. Connect the PowerZone™ Connect amplifier to mains power using the supplied mains cable. Wait for the front panel Network indicator to illuminate green to indicate that the amplifier has network connectivity.
3. The PowerZone™ Connect amplifier default LAN IP address is 192.168.64.100. Configure the laptop or desktop computer for a fixed IP address in the same IP range; eg. 192.168.64.10, with Subnet mask of 255.255.255.0 (or prefix 24) and set the Gateway to 192.168.64.1.

4. Open a laptop or desktop web browser and enter the address <http://192.168.64.100>. The PowerZone™ Control Web App interface will open to enable amplifier configuration as required.

*Note: PowerZone™ Connect amplifiers can be configured to use DHCP for network connection if required. However, if a PowerZone™ Connect amplifier using DHCP is power cycled, it is possible that the TCP/IP network router will assign it a different IP address, leaving its configuration page inaccessible via the previous address. If this occurs, a network scanning app can be used to identify the new IP address. DHCP and Fixed IP address option settings can be found in the Settings Tab menu described in Section 5.3.*

*Note: The second network socket present on the amplifier rear panel is intended for Audinate Dante® AoIP network connection only. It cannot be used for PowerZone™ Control connection.*

#### 5.2.2 Wireless (WiFi) Network Connection

To connect a PowerZone™ Connect amplifier to a TCP/IP network using a wireless connection (WiFi) follow the steps below.

1. With the PowerZone™ Connect amplifier connected to mains power, wait for the front panel WiFi indicator to illuminate green.
2. Use a mobile, laptop or desktop device to search for available WiFi networks. Connect to, PowerZone™ Connect (product serial number) using the password, 'password'. The amplifier serial number can be found on its rear panel.
3. Open a computer or mobile device web browser and enter the IP address: 192.168.4.1. The PowerZone™ Control Web App interface will open to enable amplifier configuration as required.
4. Select the Web App Settings Tab followed by WiFi > WiFi Mode > Client to configure the amplifier to connect to the required WiFi network. The WiFi network name and password will be required.

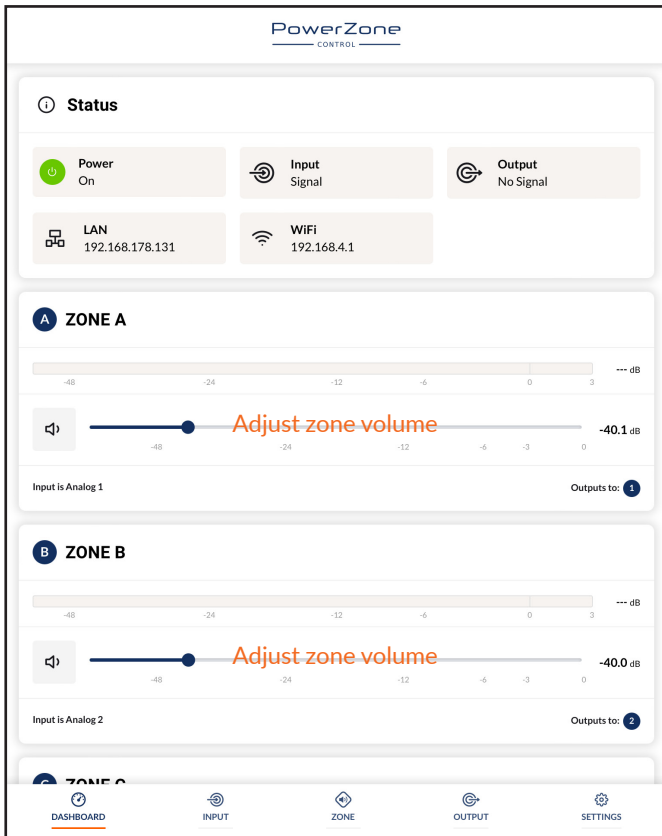
**It is strongly recommended that the PowerZone™ Connect amplifier Access Point WiFi password is changed following initial wireless connection.**

# Configuration

## 5.3 Configuration Menus

Opening a web browser that is network connected to a PowerZone™ Connect amplifier initially displays the PowerZone™ Control Web App **Dashboard** illustrated in **Diagram 5A**. The Dashboard is the 'home' page from which all other configuration options can be accessed.

The Dashboard displays the amplifier status, output zones and the configuration menu tabs. It also enables immediate access to zone volume control. The functions available under each configuration menu tab are described in the following sections.



**Diagram 5A**  
Configuration Dashboard display

### 5.3.1 Input Tab

The **Input Tab** provides the following configuration parameters for each amplifier input channel:

- **Input name**
- **Mono/Stereo selection**
- **Input sensitivity**
- **High-pass filter**
- **Gain trim**
- **Five band equalisation**

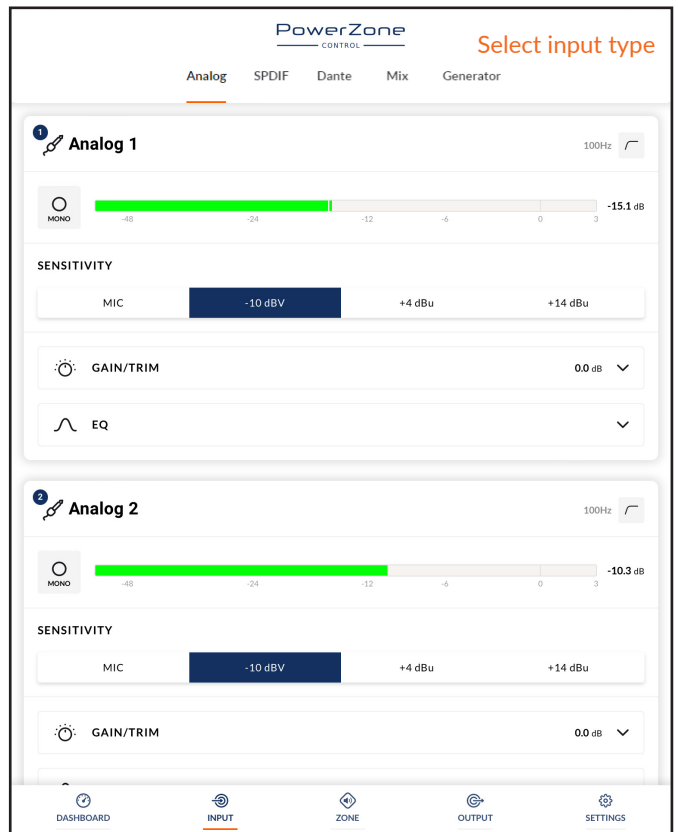
The **Input Tab** also enables input signals to be mixed and routed to specific amplifier zones. The mix function enables any amplifier input, including stereo or split mono S/PDIF inputs, to be grouped with any other input or inputs to create multiple predefined mixes.

*Note: The number of individual mixes possible is equal to the number of amplifier analog inputs.*

*Note: Mix inputs are muted by default with their level adjustment sliders set to zero.*

Mix operations take place following high-pass filter, input equalisation and mono/stereo selection.

**Diagram 5B**  
Input Tab display  
(two inputs only shown)



*Note: When adjusting input gain, the input level display should remain green. If it displays red, the input gain should be reduced.*

# Configuration

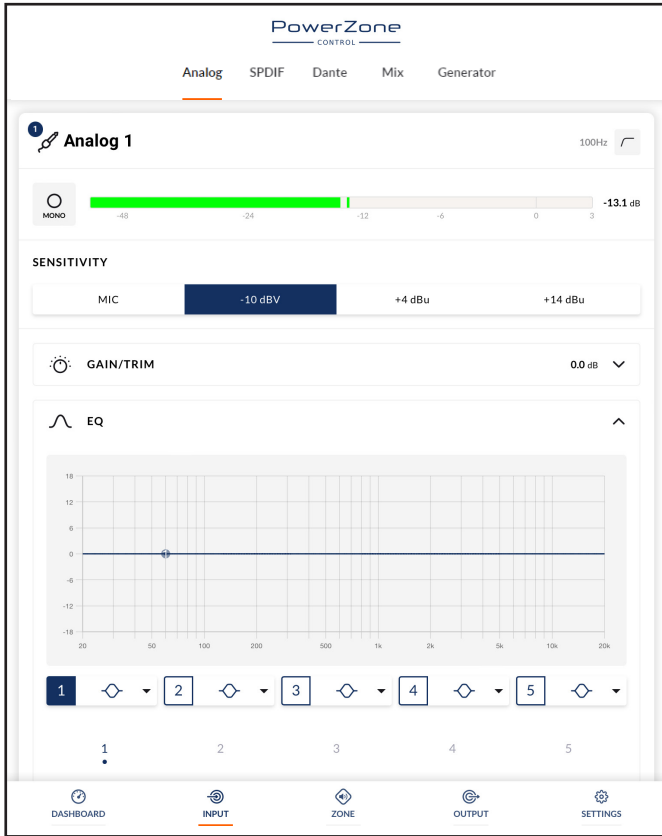


Diagram 5C  
Input EQ display

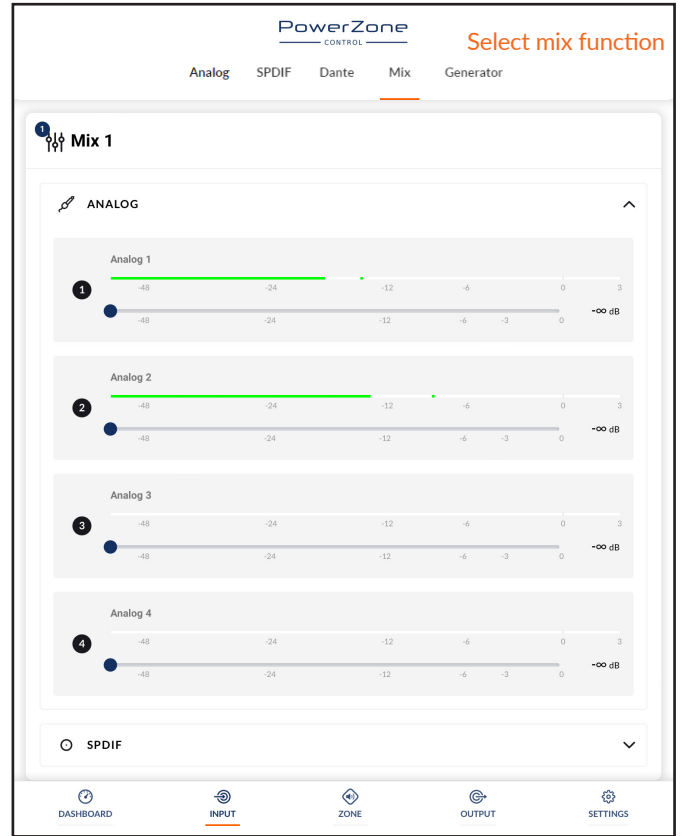


Diagram 5D  
Input Mix display

A pink noise or sine wave audio signal **generator**, appropriate for audio system testing and set up, can also be enabled, disabled, and adjusted for gain and frequency via the **Input Tab**. **Diagrams 5B, 5C and 5D** illustrate the **Input Tab**, **Input EQ** and **Input Mix** displays respectively.

## 5.3.2 Zone Tab

The **Zone Tab** enables installation zones to be defined and named, and provides access to further sub-menus. Zones might be bar or restaurant areas for example, or different rooms in a home. For all Zone Tab menus, the installation zone under configuration is selected by highlighting one of the zone identifiers (A, B, C or D) at the top of the display. **Diagram 5E** and **5F** illustrates the **Zone Tab** and **Source** menu displays.

- The **Source** menu enables inputs to be assigned to zones and **Input Priority** or **Input Ducking** to be configured. The **Input Priority** function enables an alternative input to replace and mute the input primarily routed to the zone under configuration when the alternative input exceeds a preset level.

The **Input Ducking** function enables an alternative input to replace and attenuate the input primarily routed to the zone under configuration when the alternative input exceeds a preset level.

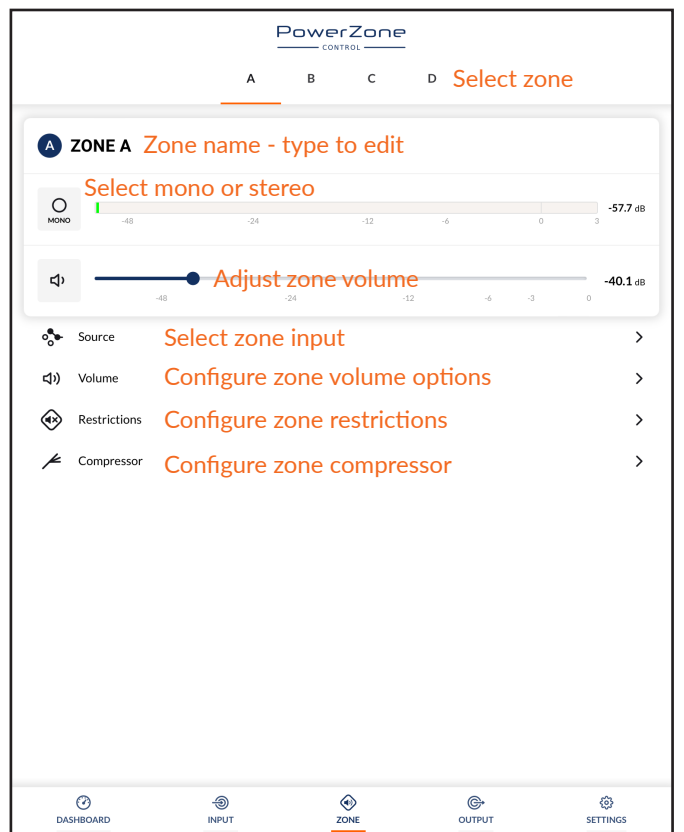


Diagram 5E  
Zone Tab display

# Configuration

Note: Input Priority and Input Ducking parameters can be either set to default values or their Threshold, Attack, Hold and Release values set as required. Input Priority can also be set to ignore the volume level set for the specified zone and take a specific override volume.

- The **Volume** menu allows minimum and maximum zone volume limits to be set, and enables external GPIO volume control to be applied to individual zones. The GPIO configuration menu can be found under the **Settings Tab**, and notes on connecting an external volume control via the GPIO interface can be found in Section 5.5 of this manual.

Note: If an amplifier is controlled via a third-party control system API, volume level limits set via the Input Tab will not apply.

- The **Restrictions** menu enables zone inputs or input mixes to be restricted from routing to particular zones.

Note: Routing restrictions cannot be applied to priority zone inputs.

Note: If an amplifier is controlled via a third-party control system API, input routing restrictions set via the Input Tab will not apply.

- The **Compressor** option enables default or custom signal compression to be applied to individual zones.

Note: Compression can be useful to reduce the volume difference between loud and quiet audio material. The lower the compression threshold is set, the more the difference between loud and soft will be reduced. The overall zone volume may need to be increased when compression is used. The default compression parameters are appropriate for most installations.

## 5.3.3 Output Tab

The **Output Tab** enables amplifier outputs to be named, linked to zones, and provides access to **Delay**, **Equalizer** and **Speaker Preset** menus. **Diagram 5G** illustrates the **Output Tab** display.

For all **Output Tab** menus, the amplifier output under configuration is selected by highlighting one of the output identifiers (1, 2, 3 or 4) at the top of the display.

Note: The number of individual outputs available for configuration will depend on the PowerZone™ Connect amplifier model and the input, zone and output mode configuration.

- The **Routing** menu enables zones to be assigned to amplifier outputs.

Note: Routing for zones specified as stereo will automatically offer three output options: left channel, right channel or summed mono. The summed mono signal can potentially be used to drive a mono subwoofer.

- The **Delay** menu enables delay to be applied to individual amplifier outputs.

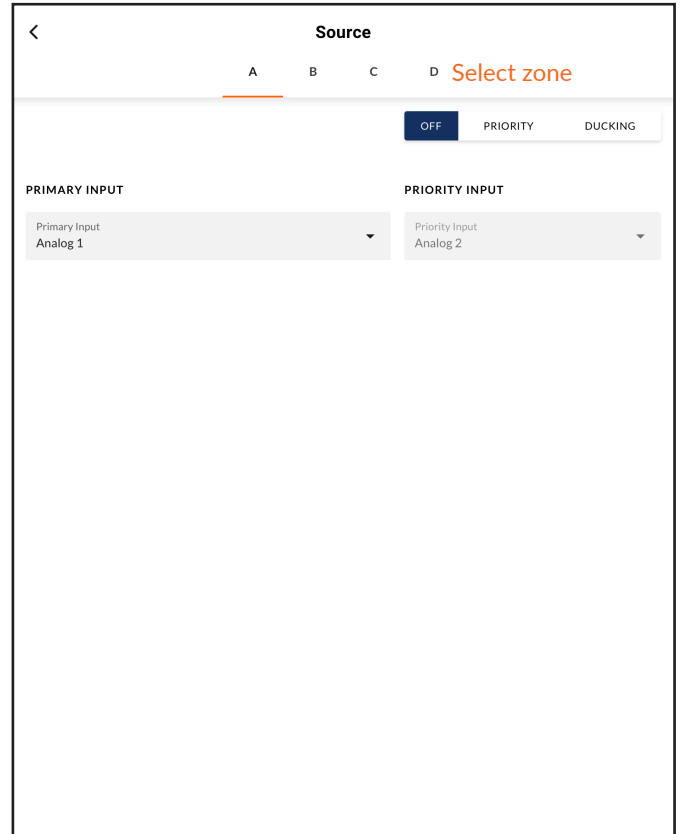


Diagram 5F  
Zone Source menu display

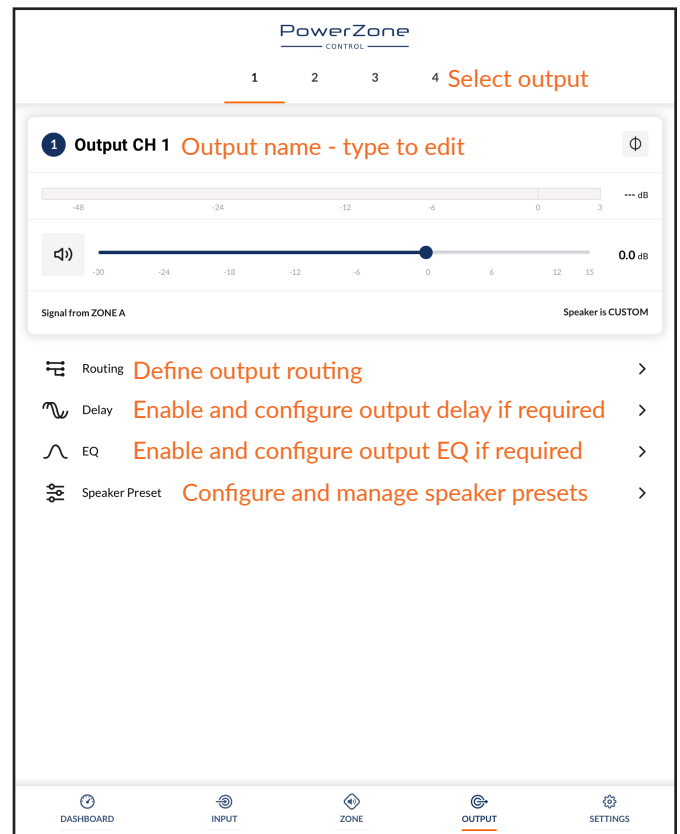


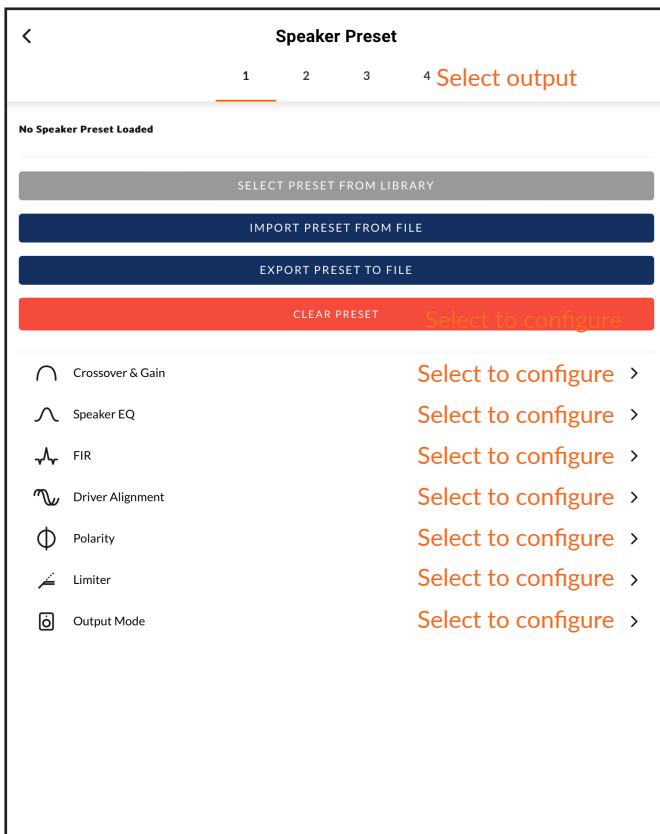
Diagram 5G  
Output Tab display

# Configuration

- The **Equalizer** menu enables parametric equalization to be applied to individual amplifier outputs. Equalizer settings configured for one amplifier output can be copied and applied to other outputs.
- The **Speaker Preset** menu enables a set of speaker parameters to be adjusted, and preset configurations to be created, exported, imported or cleared.
- Speaker Presets can be simply applied to the selected amplifier output or imported, chosen from a library, exported or cleared. The preset configurations can include any or all of the parameters described in Section 5.3.4 and can be locked to prevent inadvertent modification. **Diagrams 5H** to **5K** illustrate the application of speaker presets.

**Speaker Preset** data provided by third parties for use with specific speakers can be imported and applied to amplifier outputs. To import speaker preset parameters follow the steps described below and illustrated in the diagrams.

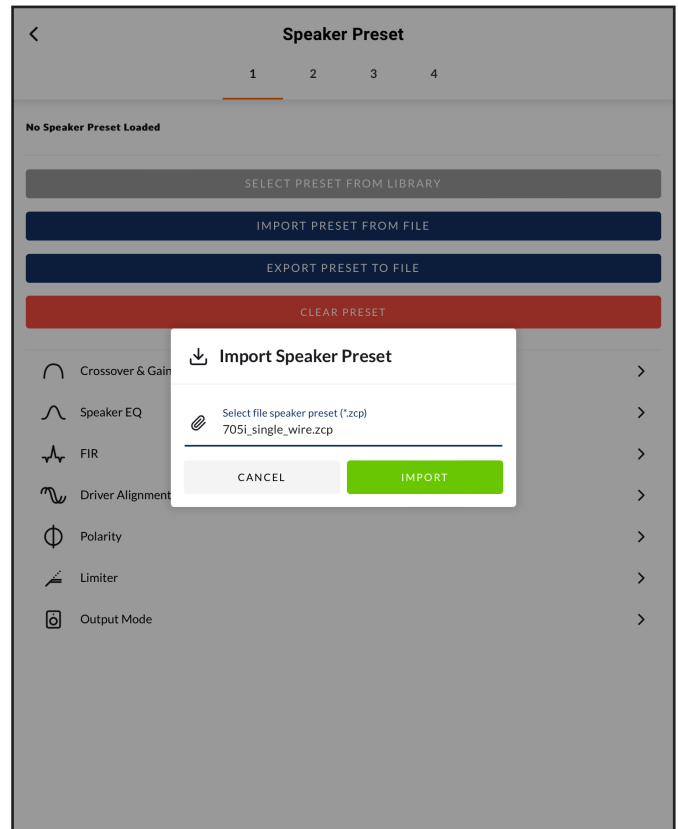
1. Select either the **IMPORT PRESET FROM LIBRARY** or **SELECT PRESET FROM FILE** option from the **Speaker Preset** menu. If no import option is visible, select **CLEAR** to delete any existing speaker preset data.



**Diagram 5H**  
Speaker Preset Parameters

**Diagram 5I**

Speaker Preset import file selection



*Note: The SELECT PRESET FROM LIBRARY option will be unavailable if no speaker preset libraries have been created. Speaker preset library creation and management is described in Section 5.3.5. A variety of speaker preset files are available for download from the Blaze website: [www.blaze-audio.com](http://www.blaze-audio.com).*

2. Select the appropriate '.zcp' format speaker preset data file to import from either a Library or a computer folder. The preset data will be applied to the selected amplifier output as soon as the file import is complete.
3. If the Speaker Preset data requires modification it can be customized by selecting the CUSTOMIZE PRESET option.

*Note: If an imported Speaker Preset data file includes locked parameters, they will be unavailable for modification.*

## 5.3.4 Speaker Preset Menu Parameters

- The **Crossover & Gain** preset menu enables high or low-pass crossover filters and gain adjustment to be applied to individual amplifier outputs.
- The **Speaker EQ** preset menu enables parametric equalization to be applied to individual amplifier outputs.

# Configuration

Diagram 5J

Speaker Preset applied

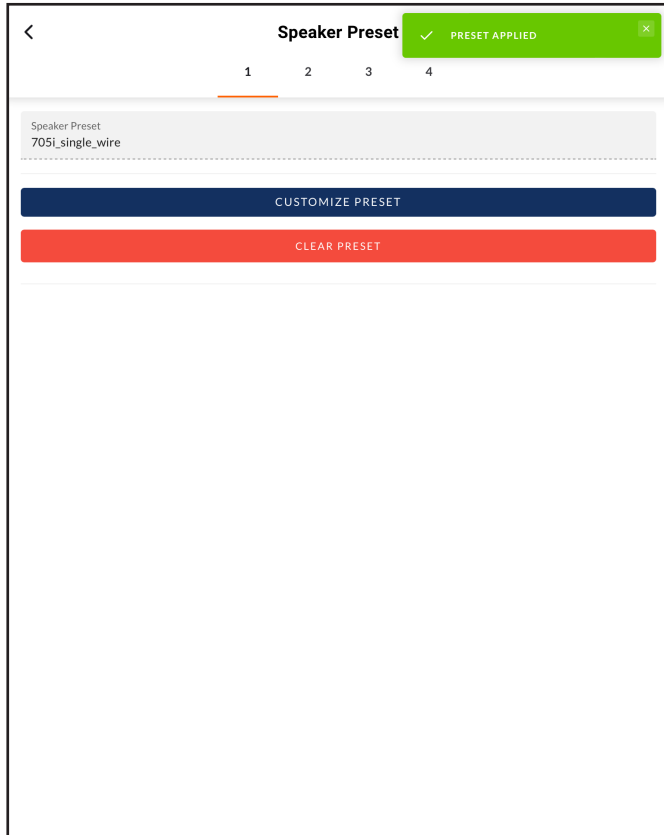
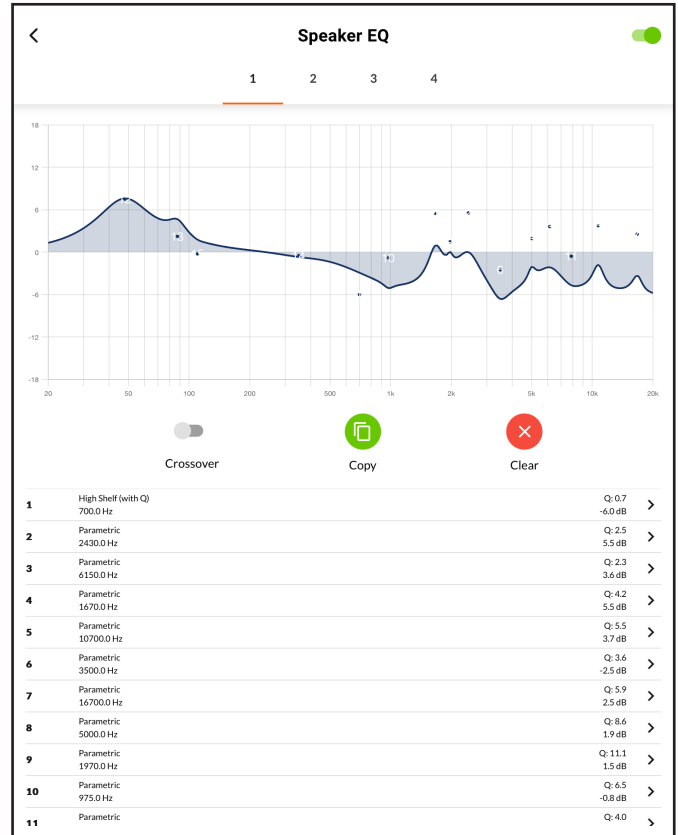


Diagram 5K

Speaker Preset parameter adjustment



- The **FIR** preset menu enables FIR (Finite Impulse Response) based equalization filter coefficients generated by external speaker measurement software to be imported and applied to individual amplifier outputs.

*Note: FIR coefficient files in either .csv or .txt format can be imported.*

- The **Driver Alignment** preset menu enables delay to be applied to individual amplifier outputs.
- The **Polarity** preset menu enables the polarity of individual amplifier outputs to be reversed.
- The **Limiter** preset menu enables signal limiting to be engaged or bypassed on individual amplifier outputs. **Clip** limiting, **Peak** limiting and **RMS** limiting can be individually or collectively engaged. The Clip limiting function offers Fast and Normal response time options. The Peak limiting function can be set to either Automatic or Manual parameter values. The RMS Limiter has default parameter values that can be adjusted but has no automatic option.

*Note: It is strongly advised that if an amplifier is driving low impedance loads (<4Ω) the Clip Limiter should be engaged and set to Fast.*

*Note: In automatic mode, the peak limiter parameters adjust automatically in response to Crossover & Gain high-pass filter settings.*

- The **Output Mode** preset menu enables individual amplifier outputs to be switched off or configured for Lo-Z or Hi-Z modes. In Hi-Z modes, a high-pass filter can also be configured and applied to the output. The number of outputs available will depend on the amplifier model, input setup and zone setup. For example, a two output amplifier will have two outputs available if Lo-Z mode is selected but only one output available if Hi-Z mode is selected.

*Note:: Use of a high-pass filter with Hi-Z mode loudspeakers is useful to avoid the possibility of distortion caused by low frequency line transformer saturation. Begin with the default filter setting of 70Hz. If low frequency distortion is still audible, increase the frequency setting one step at a time until the distortion is no longer audible.*

# Configuration

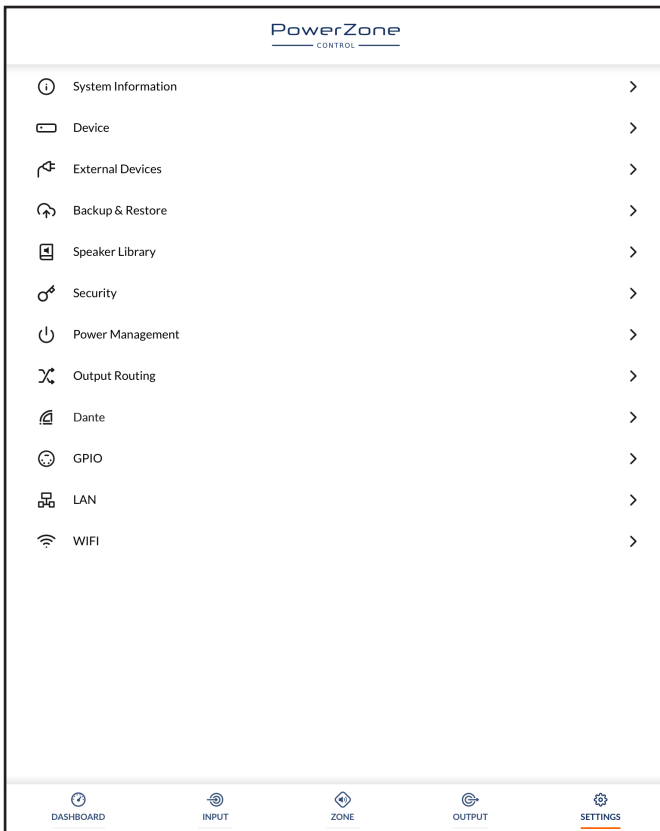
## 5.3.5 Settings Tab

The **Settings Tab** enables miscellaneous amplifier settings to be configured and installation data to be recorded. The Settings Tab provides access to further sub-menus. **Diagram 5L** illustrates the **Settings Tab**.

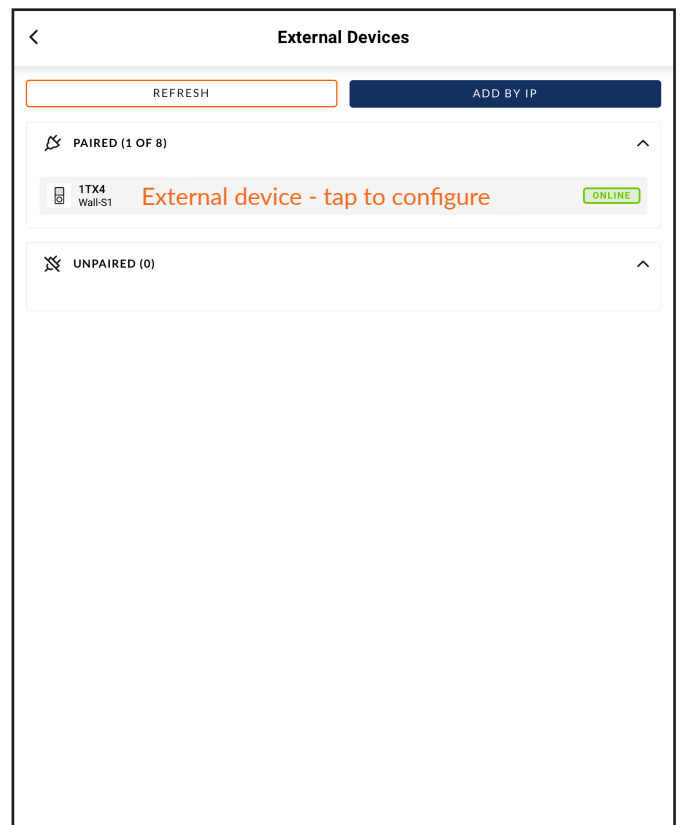
- The **System Information** menu provides text fields for the recording of installation data.
- The **Device** menu records amplifier specific information such as the model number and firmware version. A firmware update routine and identifier button can also be found under the Device menu.
- The **External Devices** menu enables Blaze Wall-S1 control panels to be paired with an amplifier and configured. Each individual amplifier zone to be controlled requires its own Wall-S1 unit. **Diagram 5M** illustrates the **External Devices** display.

*Note: Full information on Wall-S1 installation and use can be found in the Wall-S1 installation manual available for download from: <https://blaze-audio.com/products/control/wall-s1/>*

- The **Backup & Restore** menu enables amplifier configuration data to be downloaded to an external archive, and enables previously saved configuration files to be uploaded and adopted by the currently connected amplifier.



**Diagram 5L**  
Settings Tab menu



**Diagram 5M**  
The External Devices display

# Configuration

- The **Speaker Library** menu enables management of speaker preset libraries. Existing libraries of speaker preset files (.zcl) can be created or imported, and existing libraries edited or fully deleted. **Diagram 5N** illustrates the creation and management of speaker preset libraries.

*Note: A variety of speaker preset files are available for download from the Blaze website: [www.blaze-audio.com](http://www.blaze-audio.com).*

- The **Security** menu enables a password to be set in order to protect against unauthorised access to the amplifier Control Web App. Password protection is particularly important when an amplifier is connected to a wired network as the a WiFi password is no longer required to gain access to Control Web App.

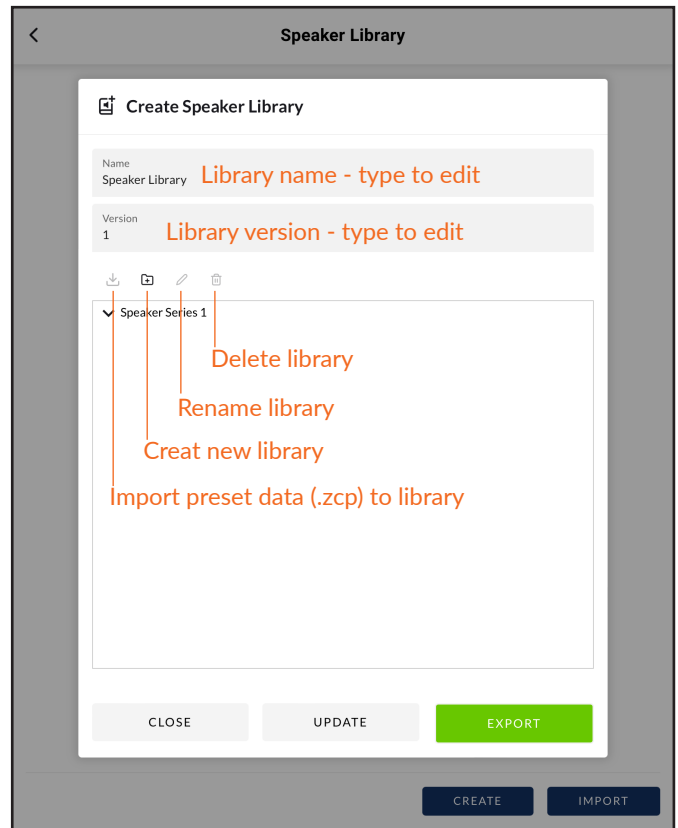
*Note: It is recommended that a Control Web App password is different from that required to gain access to the amplifier via WiFi.*

- The **Power Management** menu enables various automatic switch-on options to be engaged. The Power Management menu also offers timed Standby and Mute functions.
- The **Output Routing** menu enables specified inputs or zones to be routed to the amplifier S/PDIF outputs. The output level can also be adjusted.

Any zone or input can be routed to either digital output, including inputs not actively assigned to a zone. Primary or priority input status is immaterial. The specified input is always routed to the specified output to be available for use by downstream devices.

*Note: The digital output function is especially useful when amplifiers are to be daisy chained and a specific input; a central paging mic, for example, is required to be routed to multiple amplifiers..*

- The **GPIO** menu enables configuration of the multi-purpose GPIO interface pins.
- The **LAN** menu enables configuration and reset of the wired network options and parameters.
- The **WiFi** menu enables configuration and reset of the wireless network options and parameters.



**Diagram 5N**  
Speaker Library Creation and Management



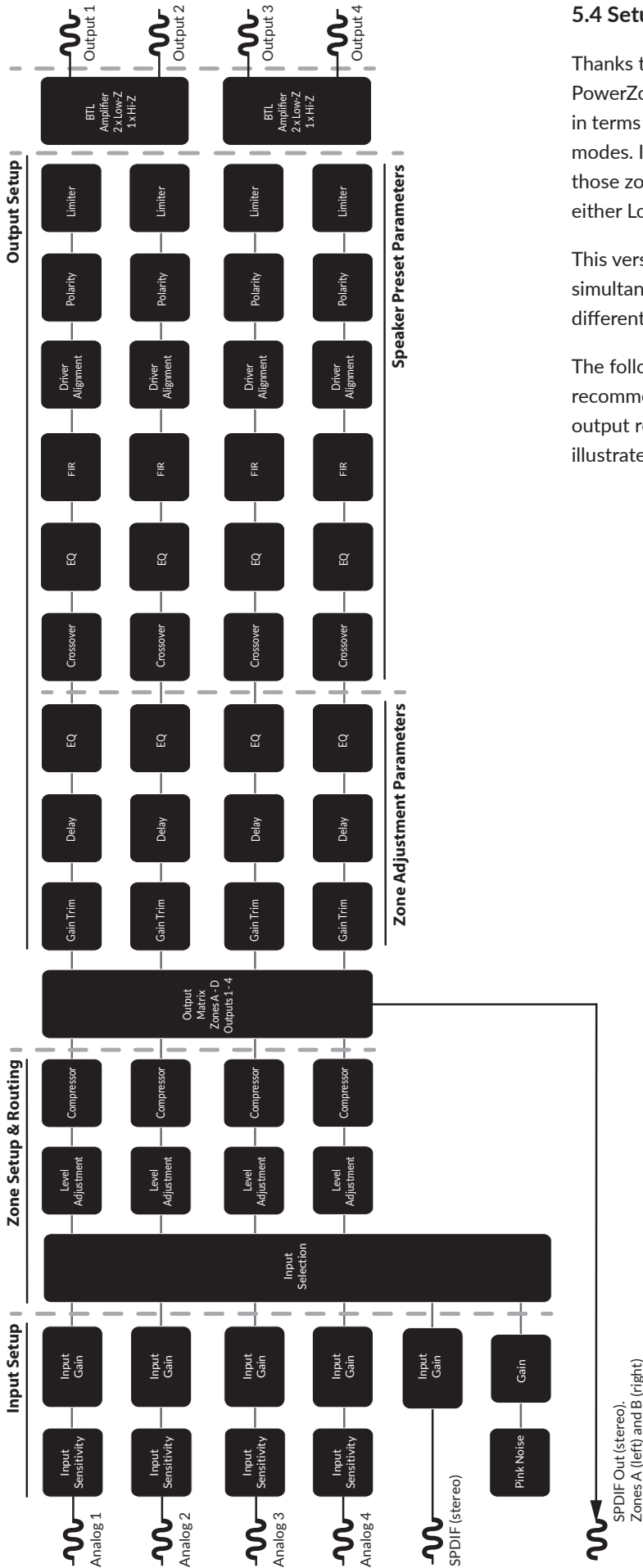
# Configuration

## 5.4 Setup and Signal Routing

Thanks to their network based configuration features, PowerZone™ Connect amplifiers offer considerable versatility in terms of sources, signal routing, installation zones and output modes. Inputs can be freely assigned to installation zones, and those zones assigned freely to the available amplifier outputs in either Lo-Z or Hi-Z modes.

This versatility enables, for example, one amplifier simultaneously to drive both Lo-Z and Hi-Z speakers, or for different inputs to be routed to different output zones.

The following paragraphs describe and illustrate the recommended procedure for configuring input, zone and output routing. A general signal flow schematic is also illustrated in **Diagram 50**.



**Diagram 50**  
Signal Flow Schematic  
(four output amplifier)

# Configuration

## 5.4.1 Input Setup

Open the configuration Dashboard and select the **Input Tab**. The Input Tab is shown in **Diagram 5B**.

- To edit default input names simply select and type in the Input Name field.
- Define a mono or stereo input by selecting the appropriate option. Defining a stereo input will reduce the total number of discrete inputs available.
- Select an input sensitivity option from the drop-down menu: +14dB, +4dB, -10dB and 'microphone' options are available. Generally, the +14dB or +4dB options are appropriate for 'professional audio' source hardware with balanced outputs, while the -10dB option is more appropriate for 'consumer audio' source hardware with unbalanced outputs. The 'microphone' option provides the significantly greater sensitivity required for microphones.

*Note: Only dynamic microphones are suitable for connection. Phantom power for condenser microphones is not provided.*

- If necessary, adjust the input gain using the slider or up/down icons. Gain adjustment is intended to be used for fine output level adjustment following initial use.

## 5.4.2 Zone Setup & Routing

Open the configuration Dashboard and select the **Zone Tab**. The Zone Tab is shown in **Diagram 5E**.

- Select the zone to be configured. The number of zones available and their channel format (stereo or mono) will depend on the amplifier model, input setup and output mode (Lo-Z or Hi-Z). For example, a two output amplifier can have the following zone configurations:
  - 1 x stereo Lo-Z zone
  - 2 x mono Lo-Z zones
  - 1 x mono Hi-Z zone
- A four output amplifier can have the following zones configured:
  - 2 x stereo Lo-Z zones
  - 4 x mono Lo-Z zones
  - 2 x mono Hi-Z zone
  - 1 x mono Hi-Z zone + 1 x stereo Lo-Z zone
  - 1 x mono Hi-Z zone + 2 x mono Lo-Z zones

*Note: When configured in Hi-Z mode PowerZone™ Connect amplifiers operate in 'bridged' mode where the output of two channels is combined. This means that the number of output channels available in Hi-Z mode is half that available in Lo-Z mode.*

*Note: Mono signals might be mono at source, created through combining the left and right channels of a stereo signal (summed mono) or treating the left and right channels of a stereo signal independently (split mono).*

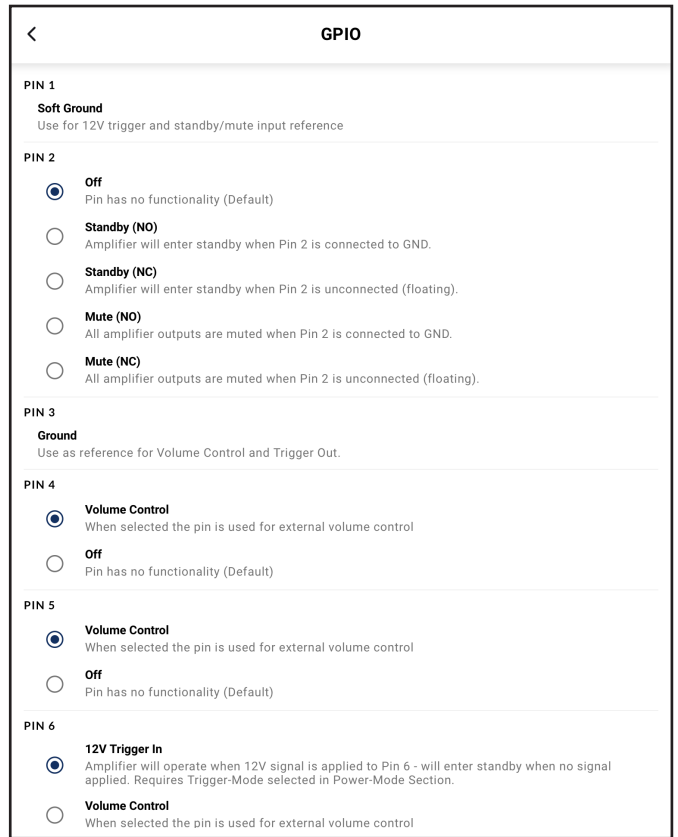
- Name zones by typing in the Zone Name field.
- Adjust the zone volume if required by using the slider.
- Define a mono or stereo zone by selecting the appropriate option. Defining a stereo zone will reduce the total number of further zones available.
- Specify an input for the zone by selecting from the drop-down menu. Selecting a stereo input for a mono zone will automatically sum the stereo channels to mono.

# Configuration

## 5.5 GPIO Setup and Connection

PowerZone™ Connect amplifiers provide a GPIO socket that enables remote control of volume, standby, mute and trigger functions. The GPIO connector pin functions are described in the **GPIO Settings** menu illustrated in **Diagram 5P**. The connection of GPIO based remote volume control and standby/mute are illustrated in **Diagram 5Q** and **Diagram 5R** respectively.

**Diagram 5P**  
GPIO Settings Menu



**Note:** The GPIO connector must not be used for any unintended purpose. Amplifier damage may result from incorrect use of GPIO.

**Note:** Shielded cable must be used when connecting standby switches and potentiometers via GPIO.

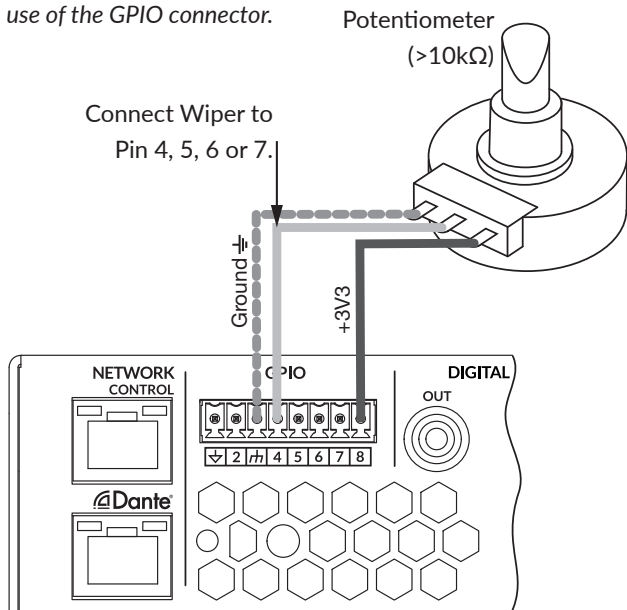
**Note:** GPIO Pin 8 has a low output impedance and is able to supply a maximum current of 10mA.

**Note:** GPIO Pin 1 and Pin 3 both offer ground connections: Pin 1 is connected directly to the amplifier chassis. Pin 3 is connected to the chassis via a 220 Ohm resistor. The 'soft ground' connection of Pin 3 is potentially useful for managing ground loops that may cause audible hum.

**Diagram 5Q**

Potentiometer connections for remote volume control via GPIO.

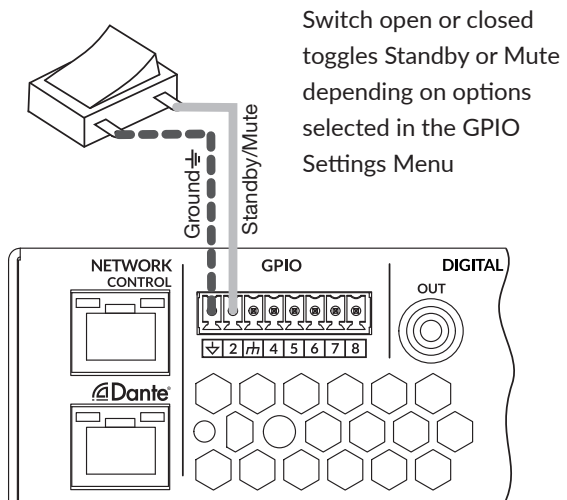
*Note: Diagram 6c illustrates use of the GPIO connector.*



**Diagram 5R**

Connections for remote standby/mute switch via GPIO.

*Note: Diagram 6c illustrates use of the GPIO connector.*



Switch open or closed toggles Standby or Mute depending on options selected in the GPIO Settings Menu

# Connections

## 6. Connections

PowerZone™ Connect amplifier rear panel connections are illustrated in Diagrams 6A.

### 6.1 Mains Power Connection

PowerZone™ Connect amplifiers incorporate a power factor corrected universal power supply and can be used with mains input voltage from 100V AC to 240V AC, 50/60Hz. Use the mains cable supplied with the amplifier.

PowerZone™ Connect amplifiers have no mains power switch and are operational as soon as mains power is connected.

**Ensure that all signal, GPIO and output connections are made before connecting the amplifier to mains power.**

### 6.2 Input Connection

All PowerZone™ Connect amplifier models provide four balanced or unbalanced analog audio inputs and a stereo S/PDIF digital audio input. Any input channel can be routed to any output channel. Input routing options can be configured via the amplifier network interface. See **Section 5** of this manual.

#### Analog Inputs

PowerZone™ Connect analog inputs are of line level format with a default input sensitivity of +4dBu (full output voltage swing/sensitivity) in all output modes. Depending on the selected sensitivity, the inputs can handle up to +24dBu without clipping. Input sensitivity options can be set via the amplifier network interface. See **Section 5** of this manual.

Balanced input connections to the amplifiers are made via male 'Euro Block' connectors. Connecting cables to the supplied female input connectors is illustrated in **Diagram 6B**.

Unbalanced input connections to the amplifiers are made via RCA phono sockets connected in parallel with the balanced inputs.

#### Digital Outputs

PowerZone™ Connect S/PDIF stereo digital audio output connections are made via a single RCA Phono socket. The S/PDIF output signal can be routed from any input or zone and is intended to be used for daisy-chaining PowerZone™ Connect amplifiers.

*Note: See the Output Routing paragraphs of Section 5.3.3 for more information on Digital Output configuration.*

*Note: 75Ω RCA Phono cables specifically intended for digital audio should always be used for S/PDIF connections. Standard Phono cables can be used but may not result in optimal performance.*

*Note: The S/PDIF output level is by default set at -10dB to reduce the possibility of downstream input clipping.*

### 6.3 Output Connections

Output connections from the amplifiers are achieved via male 'Euro Block' connectors. Ensure that speaker connection polarity is correct throughout the installation:

In the case of Lo-Z speaker connections, positive (+) amplifier terminals should always be connected to positive speaker terminals and negative (-) amplifier terminals always connected to negative speaker terminals.

In the case of Hi-Z speaker connections, the two speaker cable conductors should be connected between the positive (+) terminal of Output 1 and the negative terminal (-) of Output 2, and likewise for Outputs 3 and 4.

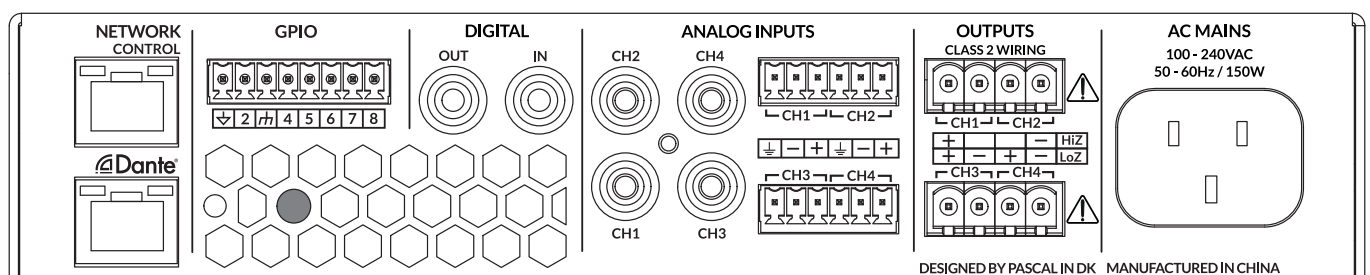
Output mode options (Lo-Z or Hi-Z) can be configured via the amplifier network interface. See **Section 5** of this manual.

Connecting cables to the supplied female **output** connector is illustrated in **Diagram 6C**.

#### Diagram 6A

PowerZone™ Connect rear panel connections.

*Note: Two output amplifier model connection sockets differ only in the deletion of channel 3 and channel 4 output connectors.*



# Connections

## 6.4 Speaker Cable Gauge

PowerZone™ Connect speaker connection cable gauge should be chosen appropriately to reflect the type of installation. The adjacent tables specify the appropriate cable gauge and maximum cable length for less than 0.5dB cable loss in Lo-Z mode and less than 1.0dB cable loss in Hi-Z mode.

## 6.5 GPIO Connections

If any PowerZone™ Connect GPIO functionality is required, cables will need to be connected to the supplied GPIO connector. Connecting cables to the GPIO connector is illustrated in **Diagrams 6D**.

## 6.6 Network Connections

### PowerZone™ Control

PowerZone™ Connect amplifiers are TCP/IP network connected devices that are configured via a web page based interface. Wired (Ethernet) and wireless (WiFi) connection options are available. Connecting PowerZone™ Connect amplifiers to a TCP/IP network is described in **Section 5** of this manual. If a wired connection is used, connect an Ethernet cable to the amplifier rear panel Network Control socket.

### Audinate Dante®

PowerZone™ Connect amplifiers are optionally compatible with Audinate Dante® audio over IP (AoIP) networks and installations. Connect to a Dante® network via the amplifier rear panel Dante® socket and configure the network as required using the Audinate Dante® Controller app available for download from: [www.audinate.com/products/software/dante-controller](http://www.audinate.com/products/software/dante-controller).

**Cable Gauge Table**

Lo-Z installations, 0.5dB attenuation. 4 Ω & 8 Ω loads

Cable Cross Section (mm <sup>2</sup> )	Cable Gauge (AWG)	Max Cable Length (Metres, 4 Ω load)	Max Cable Length (Metres, 8 Ω load)
0.75	≈18	5	10
1.5	≈16	10	20
2.5	≈14	17	35
4.0	≈12	28	55

**Cable Gauge Table**

70V Hi-Z installations, 1.0dB attenuation  
20 speakers evenly distributed

Cable Cross Section (mm <sup>2</sup> )	Cable Gauge (AWG)	Max Cable Length (Metres), (125 W/channel)	Max Cable Length (Metres), (250 W/channel)
0.75	≈18	90	45
1.5	≈16	180	90
2.0	≈14	<250	150
3.5	≈12	<250	<250

*Note: Cable lengths should not exceed 250m.*

**Cable Gauge Table**

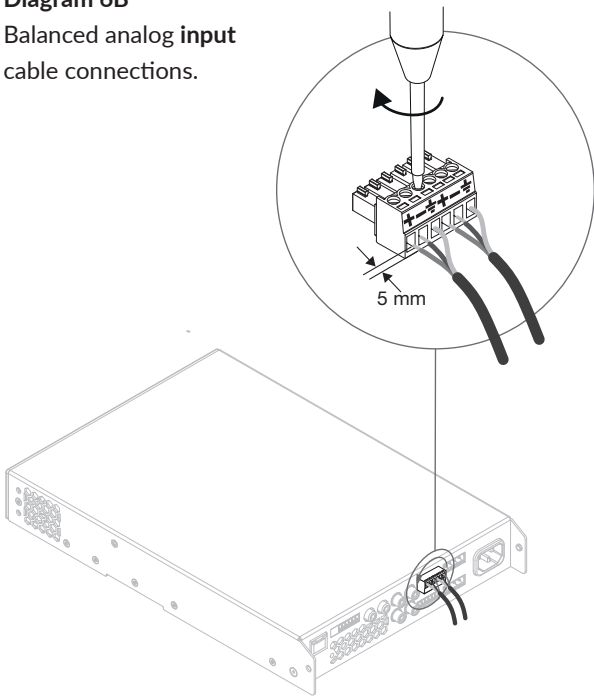
100V Hi-Z installations, 1.0dB attenuation  
20 speakers evenly distributed

Cable Cross Section (mm <sup>2</sup> )	Cable Gauge (AWG)	Max Cable Length (Metres), (125 W/channel)	Max Cable Length (Metres), (250 W/channel)
0.75	≈18	190	90
1.5	≈16	<250	180
2.0	≈14	<250	<250
3.5	≈12	<250	<250

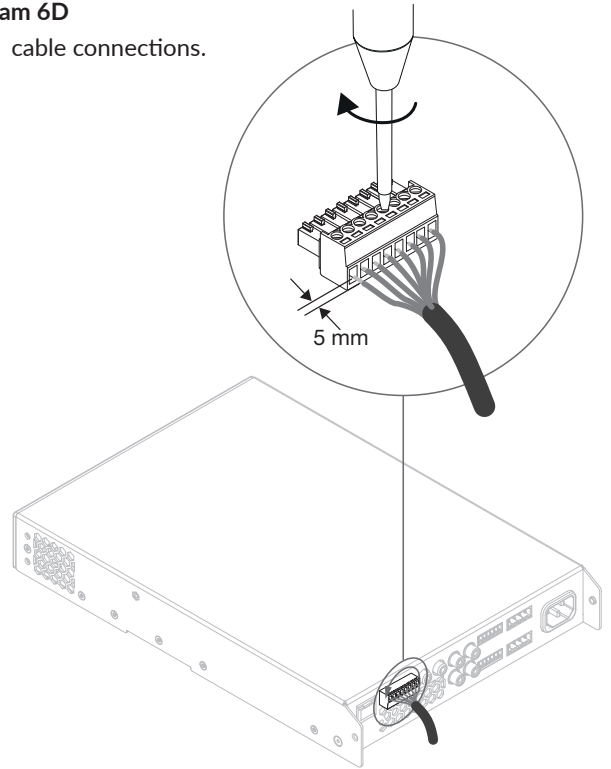
*Note: Cable lengths should not exceed 250m.*

# Connections

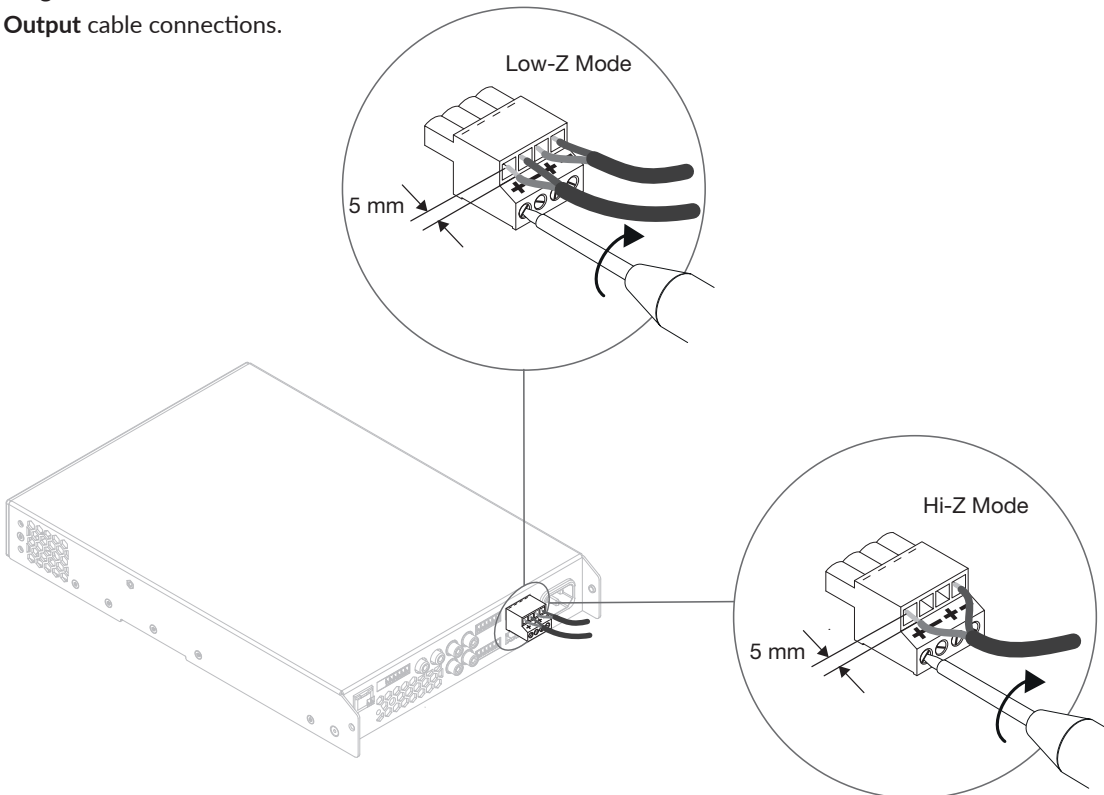
**Diagram 6B**  
Balanced analog input  
cable connections.



**Diagram 6D**  
GPIO cable connections.



**Diagram 6C**  
Output cable connections.



The exclamation point printed next to the output terminals of the amplifiers is, in addition to the CLASS 2 WIRING text, intended to alert users to the risk of hazardous voltages. Output connectors that could pose a risk are marked with the exclamation point. Do not touch the output terminals while the amplifier is switched on. Make all connections with the amplifier switched off.

# Operation

## 7. Operation

Once all connections have been made and configuration options selected, PowerZone™ Connect amplifiers are ready for use. If an input signal above -60dB is present on any input, the front panel Input and Standby indicators will illuminate green to indicate normal amplifier operation. Audio will be heard from any connected speakers.

*Note: PowerZone™ Connect amplifiers will not switch on from Standby Mode unless an input signal is present, a network 'ON' command is received, or an external standby switch (or 12V trigger) is operated. Standby behaviour can be configured via the Power Management menu of the Settings Tab.*

Amplifier outputs will mute if no input signal is present for 5 minutes, and the amplifier will switch automatically to Standby Mode if no signal is present on any input for more than 15 minutes. Alternative standby and mute delay times can be selected via the **Settings Tab**. Amplifier cooling fan speed is temperature controlled. The fan will switch off when the amplifier enters standby mode.

### 7.1 Front Panel Indicators

PowerZone™ Connect amplifier front panel indicators illuminate to indicate the following operational states:

**Status:** Off – Mains power disconnected.  
Green – Amplifier operational.  
Pulse Green – Standby Mode.  
Amber – GPIO triggered Standby Mode

**Input:** Off – No input signal present.  
Green – Signal present on one or more inputs.  
Amber – Signal limiting/clipping on one or more inputs.

**Output:** Off – No output signal present.  
Green – Signal present on one or more outputs.  
Amber – Signal limiting/clipping on one or more outputs.  
Red – One or more channel pair is in overload/protection mode.

**Network:** Off – No Ethernet network detected.  
Green – Ethernet network detected.

**WiFi:** Off – WiFi disabled.  
Green – WiFi enabled.

### 7.2 Automatic Power Sharing

PowerZone™ Connect amplifiers incorporate a power sharing feature that automatically shares the total power available from the amplifier's internal power supply across each pair of output channels. If one channel temporarily demands more than the amplifier's continuous power rating while other channel is demanding less, the excess power available from the internal power supply is automatically made available to the over-power channel. Power sharing optimises the amplifier's ability to deliver maximum power into dynamic loudspeaker loads when playing music programme material.

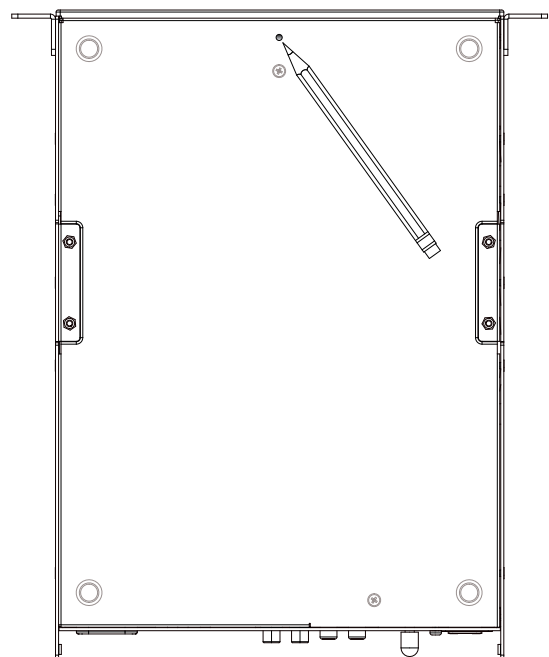
### 7.3 Default Reset

PowerZone™ Connect amplifiers can be returned to their default settings via either the Control Web App Settings Tab or the hardware reset pinhole button. The reset pinhole button is located on the underside panel of the amplifier.

To reset the amplifier using the pinhole button, follow the steps below:

- Disconnect the amplifier from mains power.
- Use an appropriate tool to press and hold the reset pinhole button while simultaneously reconnecting mains power.
- Continue to hold the reset pinhole button for 3 to 5 seconds as the amplifier restarts.

The amplifier will restart with all settings at their default state. Any previously configured settings will be deleted.



# Specifications

Model	PowerZone™ Connect 122 / 122D	PowerZone™ Connect 252	PowerZone™ Connect 254	PowerZone™ Connect 504 / 504D
Total System Power	125 W	250 W	250 W	500 W
Output Power @ 4/8Ω	2 x 60 W	2 x 125 W	4 x 60 W	4 x 125 W
Output Power @ 70/100V*	1 x 125 W	1 x 250 W	2 x 125 W	2 x 250 W
Powershare (up to) Across all channels**	1 x 125 W	1 x 250 W	1 x 250 W	2 x 250 W
Power Consumption	75W	75W	75W	150W
Dimensions	44 x 220 x 213 mm (1.7 x 8.7 x 8.4 in)	44 x 220 x 213 mm (1.7 x 8.7 x 8.4 in)	44 x 220 x 319 mm (1.7 x 8.7 x 12.6 in)	44 x 220 x 319 mm (1.7 x 8.7 x 12.6 in)
Weight	2kg (4.4 lbs)	2kg (4.4 lbs)	2.8kg (6.2 lbs)	2.8kg (6.2 lbs)
Output Circuitry	UMAC™ Class D - full bandwidth PWM modulator with ultra-low distortion			
Output Voltage	70Vp / 140Vpp (unloaded) // Bridged 140Vp / 280 Vpp (unloaded)			
Signal To Noise-Ratio	>106dB (A-weighted, 20Hz-20kHz, 8Ω load)			
THD+N (typical)	< 0.05% (20Hz-20kHz, 8Ω load, 3dB below rated power)			
Frequency Response	20Hz-20kHz (+0/-0.25dB (8Ω load, 3dB below rated power)			
Protection Circuits	Short circuit -, DC -, Undervoltage -, Temperature - and Overload protection			
Power Supply	UREC™ universal mains switch mode power supply with Power Factor Correction (PFC) and standby converter			
Operating temperature	0-40°C			
Operating Voltage/ Frequency	Universal Mains, 100V-240V, 50Hz-60Hz			
Standby Consumption	< 0.5W			
Options	Audinate Dante® AoIP compatibility [PowerZone™ Connect 122D/504D only]			
Accessories	2x Rack ears 1x ½ rack plate extension 2x ½ rack mounting 2x Rear supports			
Power Ratings	Output power measured @ 1% THD at 120VAC 60Hz and 230VAC 50Hz			

\*100V line mode is @ -1dB (≈ 90 V)

\*\*504 may only Powershare across Ch1/2 and Ch3/4

# BLAZE

Blaze Audio HQ, Pascal A/S, Ellekaer 6, DK-2730 Herlev, Denmark. [hello@blaze-audio.com](mailto:hello@blaze-audio.com), [www.blaze-audio.com](http://www.blaze-audio.com)  
Blaze Audio Americas, Pascal Inc., (888) 500-0109, [help@blaze-audio.com](mailto:help@blaze-audio.com), [www.blaze-audio.com](http://www.blaze-audio.com)