

Please read the following instructions carefully before installing your Soundsphere[®] speaker. If you have any questions regarding installation that are not answered in the following directions, please contact your local sound contractor or the Soundsphere[®]/MSE Audio[®] technical support team.

General Information

Maximum Amplifier Power	250 Watts RMS
Nominal Impedance	8 ohms

Wiring

Amplifier connection is via flying leads. Connect the positive (+) amplifier lead to the RED input wire. Connect the negative (-) amplifier lead to the BLACK wire. Secure connections using wire nuts, etc. **Please see next page for Q-12-AWR wiring.**

Mounting

Hanging Kit

Mount using one of the following methods:

- Properly secured wire rope with a minimum breaking strength of 400 lbs. (for a 10:1 safety factor).
- Beam clamp with proper load rating.

It is recommended to use a secondary wire rope support around one of the legs. **Do not use rope for mounting.** The use of chain is not recommended unless rated for suspension of loads greater than or equal to 400 lbs (for a 10:1 safety factor).

Surface Mount Bracket

Secure the bracket to the hard surface using proper hardware. Secure the speaker to the bracket using the washers and nylon locknuts provided. It is recommended to use a secondary wire rope support around one of the legs and through an unused bracket hole.

Warranty

Soundsphere loudspeakers carry a 5 year limited warranty. See warranty sheet for details and limitations.

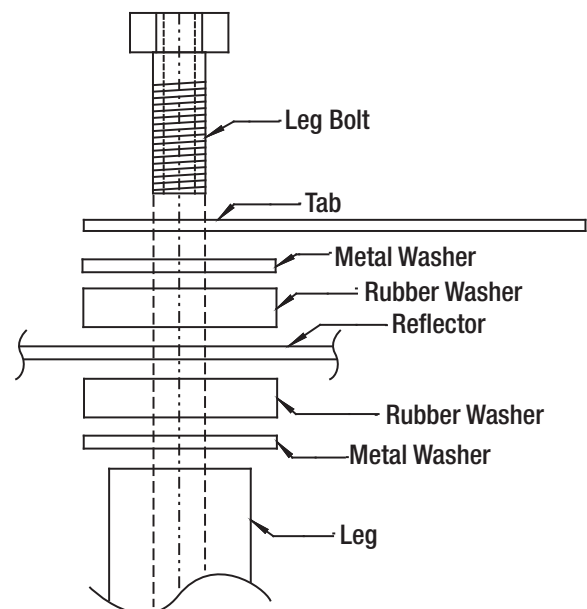
Replacement Parts

12" 250 Watt coaxial loudspeaker driver with crossover.
Order Model Number CX-12

Always check local requirements for overhead suspension of loudspeakers.

Replacing the Coax Driver and Crossover in the Q-12A

- Remove the reflector from the Q-12A by removing the 3 bolts, washers, and tabs.
- Remove the 8 screws securing the driver. Remove the driver by pushing up on it through the port hole in the sphere with one hand and removing it with the other hand. Pull the wire out through the hole in the bolt.
- Feed the wire from the replacement driver through the drilled bolt inside the sphere. Install the new driver and secure with screws.
- Replace the reflector. The washer order is metal washer to leg, then rubber washer, reflector, rubber washer, metal washer and bolt (see figure below). Feed the wire through the washers and the drilled bolt. Tighten bolts until the rubber washers begin to deform.



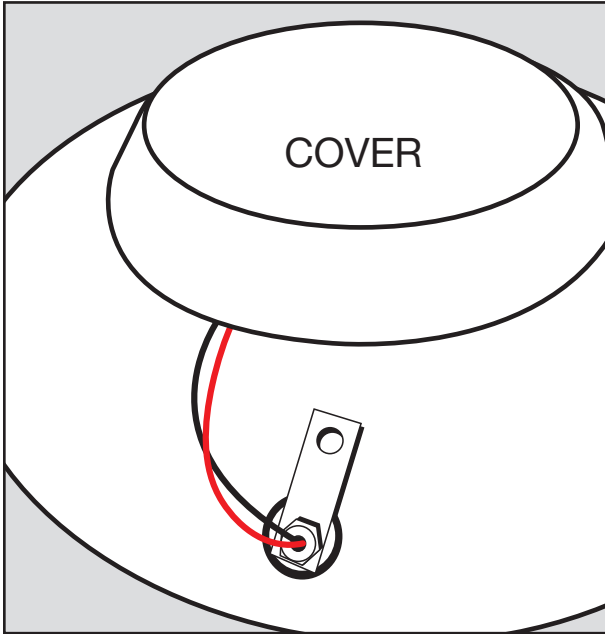
Other Information

Wire runs between the amplifier(s) and loudspeaker(s) must be of the appropriate gauge to insure the full audio performance capabilities of the Soundsphere loudspeakers. This applies to all loudspeaker impedances (4 or 8 Ohms) or audio line voltages (50, 70.7 or 100 Volts). For more information, please see the 'Downloads' section at www.soundsphere.com, or call our Customer Service at 913.663.5600.

WARNING

Be sure to securely tighten all hardware before hanging the loudspeaker. Wire rope (steel cable), cable clamps with saddles and thimbles of suitable size and strength are the recommended materials for overhead suspensions. All loudspeakers should be redundantly safety wired to structural members of the building with an approved safety wire system or other agency certified materials.

IMPORTANT: Always check local safety codes before installing any overhead loudspeaker system and for periodic inspection and maintenance of the installation.

Wiring for SS-Q-12-AWR**Remove Cover****Choose Tap Setting**

Choose the Tap setting and connect the red and black wires from the input connector to the transformer wire using the supplied wire crimp.

