

# WLL-TR-1p-II

Wireless Transmitter & Receiver System



## WLL-TX1-II PRODUCT SPECIFICATIONS

System Type	Uncompressed 2-channel audio wireless transmitter
RF Band (GHz)	2.4, 5.2, 5.8
Operating Range (Full Power)	210 ft. line of sight
Operating Range (Low Power)	70 ft. line of sight
Audio Frequency Response	20 Hz - 20 kHz
Modulation	Digital
Dynamic Range	90 dB
Antenna Impedance	50 Ω
Power Supply/Requirements	5 V, 1.2 A
Height	44.45 mm   1.75"
Width	157.16 mm   6.1875"
Depth	165.1 mm   6.5"
Housing Material	Powder-coated metal
Weight	4.08 kg   1.85 lbs
Certifications	CCC, CE, RoHS, FCC, UL60065



## WLL-RX1P-II PRODUCT SPECIFICATIONS

System Type	Uncompressed 2-channel audio wireless receiver
RF Band	2.4 GHz, 5.2 GHz, 5.8 GHz
Operating Range (Full Power)	210 ft. line of sight
Operating Range (Low Power)	70 ft. line of sight
Audio Frequency Response	20 Hz - 20 kHz
Amplifier Output Power	50 W/Ch @ 8 Ω, 65 W/Ch @ 4 Ω
Modulation	Digital
Dynamic Range	90 dB
Antenna Impedance	50 Ω
Latency	< 20 MS
Power Supply/Requirements	32V, 4.0 A
Height	44.45 mm   1.75"
Width	157.16 mm   6.1875"
Depth	165.1 mm   6.5"
Housing Material	Powder-coated metal
Weight	4.08 kg   1.85 lbs
Certifications	CCC, CE, RoHS, FCC, UL60065

### Description

The WLL-TR-1p-II wireless transmitter/receiver system is composed of two units, one WLL-TX1-II transmitter and one WLL-RX1p-II receiver. Additional receivers may be ordered to accompany a single transmitter.

### Features

- 3 RF channels to minimize interference from other devices.
- Each band contains 3 channels, alternating between them to preemptively counteract interference, keeping the signal clear and latency less than 20 ms.
- Uncompressed 2-channel audio for maximum fidelity.
- Multiple receiver/amplifier units may be used with a single transmitter.
- Up to 6 receivers may be used for each transmitter. For more than 6, use an additional transmitter on another frequency.
- USB, stereo mini or 1/4" balanced input connections at the transmitter.
- Push-On or 1/4" connections speaker level outputs at the receiver. Also includes stereo line output for connecting auxiliary audio components, such as ADA (Americans with Disabilities Act) adapters.
- Local Audio source at the receiver via stereo mini (mutes the wireless signal when connected).
- High/Low power selector switch on transmitter limits RF range where needed.

## Applications

Designed to work with all SoundTube speakers (as well as other brands), the WLL-TR-1p-II system enables the placement of speaker in locations where running speaker wire may be difficult or impossible. Utilizing uncompressed streaming digital audio over 2.4 GHz and requiring only AC power for operation, the SoundTube wireless system provides two 50 W channels of audio.

## Patented Technologies

SoundTube Entertainment and the MSE Audio Group constantly develop new technologies which enhance audio product performance. SoundTube Entertainment innovations are protected by multiple U.S. and international patents, which explicitly cover SoundTube dome, enclosure and dispersion technologies. The MSE Audio Group actively defends its patents in order to protect SoundTube resellers and end-users.

## Architectural Specifications

The WLL-TR-1p-II wireless system shall consist of one WLL-TX1-II transmitter and one WLL-RX1p-II receiver.

Performance specifications of a typical WLL-TR-1p-II wireless system shall be as follows: Operating range at full power will reach 150 ft (45.7 meters) indoors and 210 ft (64 meters) line of sight. At low power, operating range will be reduced to 50 ft (15.2 meters) indoors or 70 ft (21.3 meters) line of sight. Dynamic range shall be 90 dB with an audio frequency ranging from 20 Hz - 20 kHz. The system will transmit in uncompressed audio signal over a 2.4 GHz RF Band with three selectable RF channels to minimize interference. Antenna impedance shall be 50  $\Omega$ .

The WLL-TX1-II transmitter unit housing material shall be constructed of powder coated metal. Power requirements for the unit will be a 5 V, 1.2 A power supply. Input options at the transmitter include USB, stereo mini or 1/4" balanced input connections. Overall dimensions shall be no more than 44.45 mm (1.75") in height by 157.16 mm (6.1875") in width by 165.1 mm (6.5") in depth. The unit shall include two removable antennae.

The WLL-RX1p-II receiver unit housing material shall be constructed of powder coated metal. Power requirements for the unit will be a 32 V, 4.0 A power supply. Output options at the receiver include Push-On or 1/4" connections speaker level output. Latency 20 ms. Receiver amplifier power output shall be 50 W per channel at 8  $\Omega$ , 65 W per channel at 4  $\Omega$ , or 90 W in bridged mono at 4  $\Omega$ . Stereo line output included at receiver for connecting auxiliary audio components. Receiver shall include a stereo mini jack to select local audio, muting wireless signal when connected. Overall dimensions shall be no more than 44.45 mm (1.75") in height by 157.16 mm (6.1875") in width by 165.1 mm (6.5") in depth. The unit shall include two removable antennae.

The system shall be the SoundTube WLL-TR1p-II for both low- and high-impedance applications.

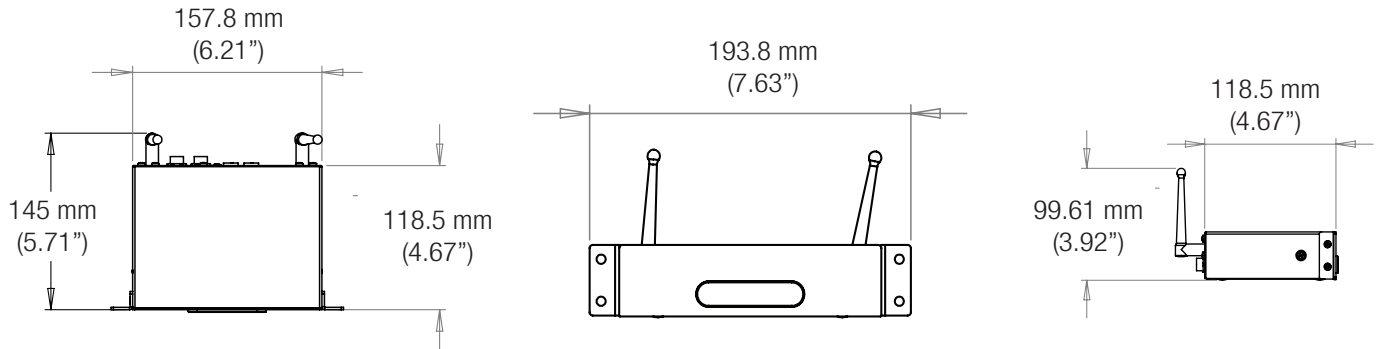
## SoundTube®

13720 W. 109th St.  
Lenexa, KS 66215  
Phone: 913.663.5600  
Fax: 913.663.3200  
Toll Free: 855.663.5600  
[www.mseaudio.com](http://www.mseaudio.com)

All SoundTube speakers come with a 5-year limited warranty and 3-year warranty on all electronics.

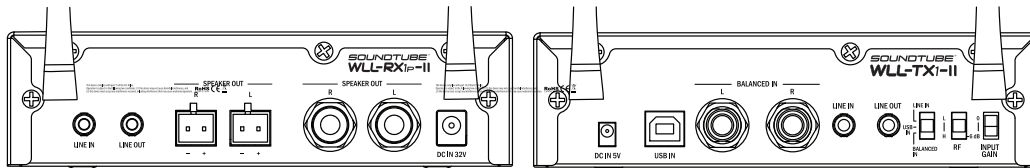
## Mechanical Drawings

WLL-RX1p-II Receiver & WLL-TX1-II Transmitter



WLL-RX1p-II Receiver

WLL-TX1-II Transmitter



## Optional Accessories

Rack Mount Adapter (AC-WLL-RMA)

