

DATA SHEET



DESONO™ CM20DTS

TWO-WAY 4.25-INCH CEILING LOUDSPEAKER



APPLICATIONS

Conference Rooms · Hallways · Training Rooms · Multipurpose Rooms · Lunch Rooms · Manufacturing Areas · Offices · Waiting Rooms

DESCRIPTION

The Desono CM20DTS two-way 4.25" ceiling loudspeaker delivers crystal clear audio for all your public address and background music needs. Its 4.25" coated paper cone woofer and a 1" tweeter results in a high SPL and extremely low distortion, ensuring exceptional clarity over the entire frequency spectrum.

The CM20DTS utilizes a 5-position switchable transformer ranging from 1.25W to 20W with low-impedance bypass for constant-voltage operation, making it an excellent choice for large areas of BGM.

Designed with the installer in mind, they can be blind-mounted from below the ceiling, and feature a magnetic grille for easy toolless installation and removal that can also be painted to match the room decor. Additionally, the tap switch is located on the face of the loudspeaker, so adjustments can be made without requiring ceiling access.

Desono CM20DTS loudspeakers are an ideal choice for a multitude of environments that demand superior speech intelligibility and full range music reproduction.

FEATURES

- Low profile, requires only 3.3" (84 mm) mounting depth
- High speech intelligibility coupled with full-range music reproduction
- Thin-edge, magnetically attached grille
- Tap switch allows for 70V/100V or 16Ω low impedance operation
- Tuned bass reflex port for optimized low frequency performance
- Loudspeaker overload protection for 24/7 failsafe operation
- ETL listed to conform with UL Std 1480A and UL 2043; Certified to CSA C22.2#62368-1

TECHNICAL SPECIFICATIONS

Operating Mode	Passive	
Operating Environment	Indoor	
Operating Range (-10dB)	90 Hz to 22 kHz	
Nominal Beamwidth (H x V)	150° x 100°	
Transducers	LF 1 x 4.25" (108 mm) treated paper cone HF 1 x 1" (25 mm) soft dome	
Continuous Power Handling @ Nominal Impedance	25V	40W @ 16Ω (160W peak)
Nominal Sensitivity @ 1m	@ 1W 87 dB	@ 2.83V 84 dB
Nominal Maximum SPL @ 1m	Peak 109 dB	Continuous 103 dB
Transformer	70V: 20W, 10W, 5W, 2.5W, 1.25W 100V: 20W, 10W, 5W, 2.5W	
Protection	3-step self-resetting protection	
Recommended Amplifiers	40W - 80W @ 16Ω (25V - 36V)	

PHYSICAL

Input Connection	(1) 4-way Euroblock connector with permanent pass-through
Mounting Provisions	2 mounting clamps with grip range of 0.2" - 1.6" (3 - 41 mm); Cover plate with 0.75" (22 mm) NPT knockout for conduit connectors
Safety Features	2 hang points
Compliance	ETL listed to comply with UL 1480A and UL 2043; Certified to CSA C22.2#62368-1; Suitable for use in air handling spaces per NFPA 70, NFPA 90 Conforms with City of Chicago Codes
Dimensions H x Dia.	3.3" x 8.8" (84 mm x 223 mm)
Cutout Diameter	7.6" (193 mm)
Weight	4.4 lbs (2.0 kg)
Finish	Refer to the Technical Drawings (page 3)
Accessories (included)	Tile rails; tile rail spacers; cutout template

OPTIONS

Accessories	SQGR square grille
-------------	--------------------

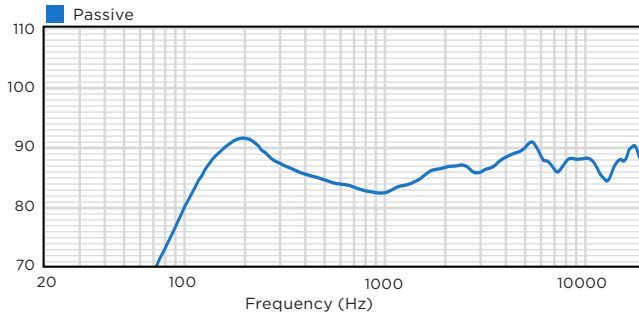
Biamp strives to improve its products on a continual basis. Specifications are therefore subject to change without notice. Data presented on this spec sheet represents the basic performance specifications for the model. For a detailed analysis of this loudspeaker's performance, please download the GLL file from our website: biamp.com



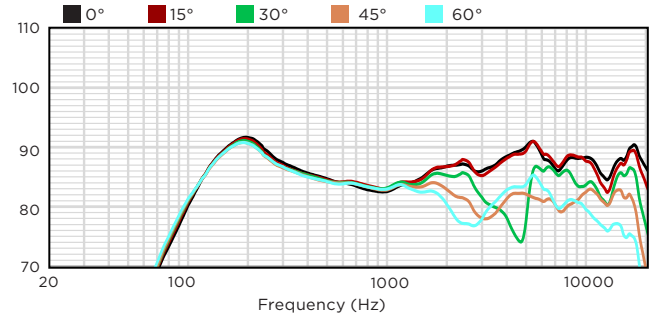
DESONO CM20DTS

TWO-WAY 4.25-INCH
CEILING LOUDSPEAKER

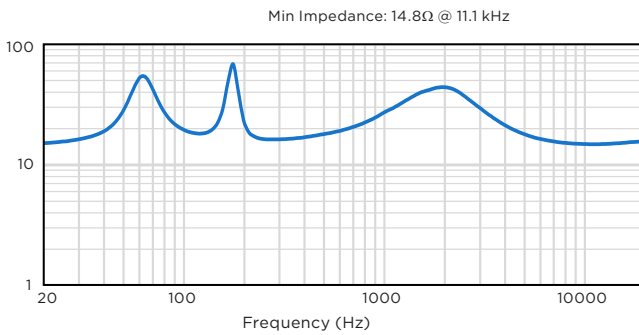
FREQUENCY RESPONSE (dB SPL)



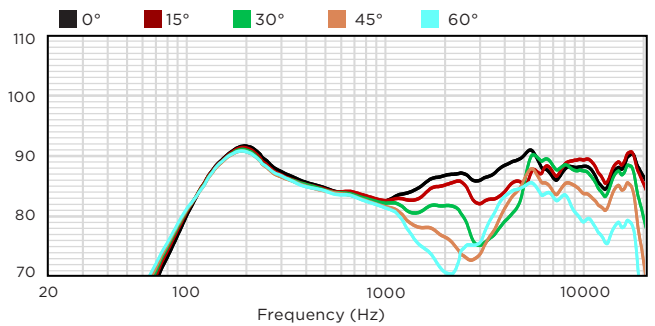
VERTICAL OFF-AXIS DOWN RESPONSE (dB)



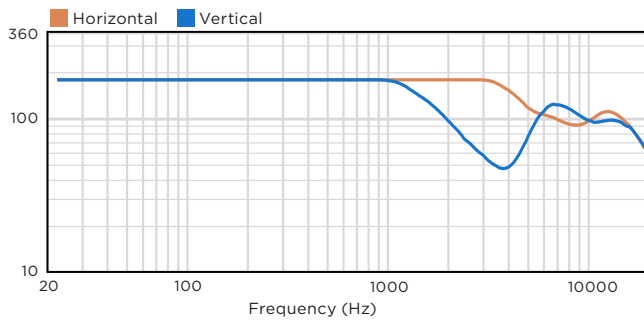
IMPEDANCE (Ohms)



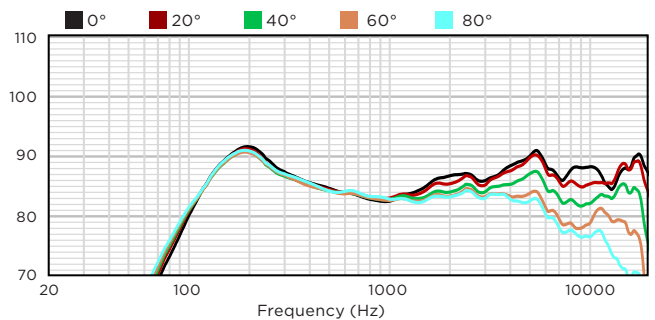
VERTICAL OFF-AXIS UP RESPONSE (dB)



BEAMWIDTH (Degrees)



HORIZONTAL OFF-AXIS RESPONSE (dB)



DESONO CM20DTS

TWO-WAY 4.25-INCH
CEILING LOUDSPEAKER

TECHNICAL DRAWING / DIMENSIONS / FINISH

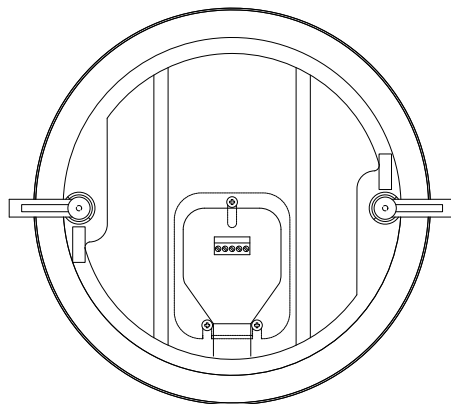
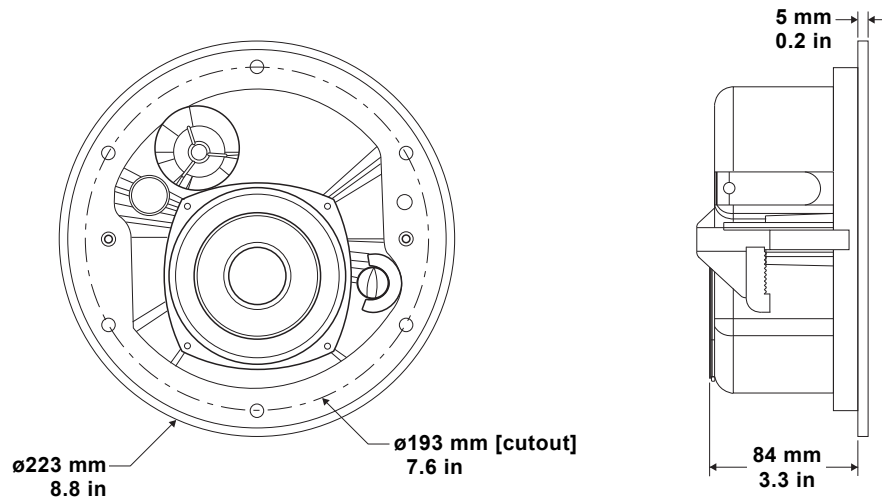
H x W (diameter)
3.3" x 8.8"
(84 mm x 223 mm)

Unit Weight
4.4 lbs (2.0 kg)

Shipping Weight
7.7 lbs (3.5 kg)

Grille:
Steel, White (RAL 9010) finish

Enclosure / Finish
Steel, matte finish



TILE BRIDGE AND RAILS

