

MKE 1



Instruction manual

Contents

The MKE 1 microphone	2
Features	2
Delivery includes	2
Treble boost	3
Make-up protection	3
Attachment of the microphone	4
Specifications	5
Accessories and spare parts	7
Manufacturer Declarations	8

The MKE 1 microphone

The MKE 1 is a high-quality, sub-miniature, sweat-resistant clip-on condenser microphone. It features excellent sound quality and rugged design. The frequency response curve has been optimized for stage, studio and reporting applications (ENG). The MKE 1 is fitted with a very thin (only 1 mm) yet extremely rugged cable, making this microphone an ideal partner for all live sound applications.

Features

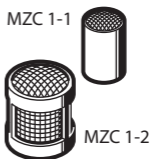
- Sub-miniature microphone
- High maximum sound pressure level
- Wide frequency response with adaptable treble response
- Thin (only 1 mm), flexible and rugged cable, low in handling noise
- Very insensitive to the penetration of sweat due to a special protective "umbrella" diaphragm

Delivery includes

- 1 MKE 1 microphone
- 1 MZC 1-1 frequency response cap, small
- 1 MZC 1-2 frequency response cap, large
- 3 make-up protectors
- 1 instruction manual

Treble boost

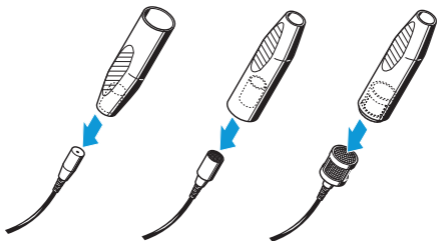
Your microphone is supplied with two different frequency response caps. These caps allow you to adjust the treble response of the microphone (see page 6).



In addition, the large frequency response cap attenuates wind noise by approx. 15 dB and provides an extended protection against the ingress of moisture.

- ▶ Slip the cap of your choice onto the microphone until it locks into place.

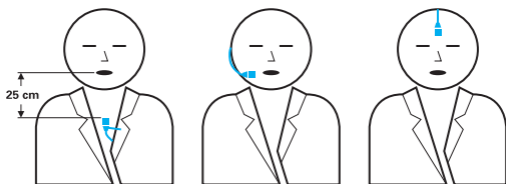
Make-up protection



- ▶ When putting on make-up or hair spray, protect the MKE 1 by slipping the make-up protector onto the microphone (with or without frequency response cap, see diagram).
- ▶ Only remove the make-up protector after make-up has been completed.

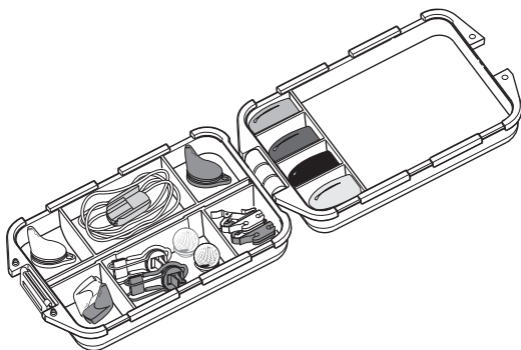
Attachment of the microphone

Depending on the area of application, you can attach the MKE 1 in different ways to either clothing or the body.



To do so, use the optional MZ 1 accessory kit (see page 7) that offers multiple and secure attachment possibilities.

The clips, holders and mounts are suitable for almost any wearing situation and ensure optimum sound quality.



Specifications

MKE 1*

Pick-up pattern	omni-directional
Frequency response	20–20,000 Hz, ± 2.5 dB
Sensitivity (free field, no load) (1 kHz)	5 mV/Pa, ± 2.5 dB
Nominal impedance	1,000 Ω
Min. terminating impedance	4.7 K Ω
Equivalent noise level A-weighted (DIN IEC 651)	27 dB
Equivalent noise level CCIR-weighted (CCIR 468-1)	39 dB
Max. SPL	142 dB
Cable length	1.6 m
Diameter of the microphone	3.3 mm
Weight (w/o connector and cable)	0.1 g

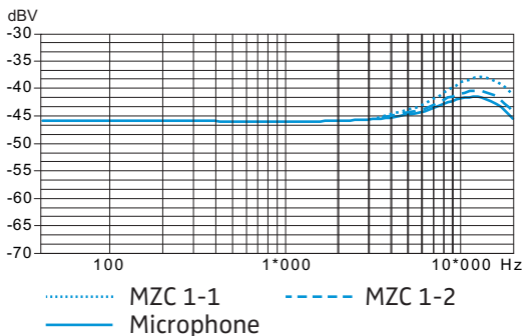
* all MKE 1 variants

MKE 1	-4	-4-1	-4-2	-4-3
Color	black	white	brown	beige
Connector	3-pin special connector			
Power supply	via SK 5212, SK 5012, SK 250, SK 50, SK 3063 transmitter			

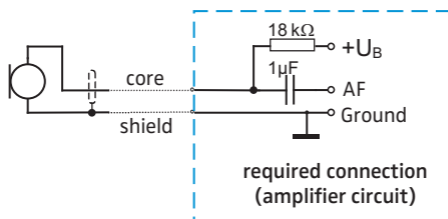
MKE 1	-5	-5-1	-5-2	-5-3
Color	black	white	brown	beige
Connector	open-ended cable			
Power supply	4.5–15 V			

MKE 1	-ew	-ew-1	-ew-2	-ew-3
Color	black	white	brown	beige
Connector	lockable 3.5 mm jack plug			
Power supply	ew series transmitters			

Free-field frequency response curve of the MKE 1 microphone



Pin assignment of an MKE 1 with open-ended cable



Accessories and spare parts

Item	Cat. No.
MZC 1-1 cap, small, black	513179
MZC 1-1 cap, small, white	533612
MZC 1-1 cap, small, brown	533611
MZC 1-1 cap, small, beige	513198
MZC 1-2 cap, large, black	521701
MZC 1-2 cap, large, white	533608
MZC 1-2 cap, large, brown	533607
MZC 1-2 cap, large, beige	513197
MZC 1-3 make-up protector	521746
Lavalier tape (LAV-Tape)	502756
MZ 1 accessory kit	504060

Manufacturer Declarations

Warranty

Sennheiser electronic GmbH & Co. KG gives a warranty of 24 months on this product. For the current warranty conditions, please visit our website at www.sennheiser.com or contact your Sennheiser partner.

In compliance with the following requirements

- RoHS Directive (2002/95/EC)
- WEEE Directive (2002/96/EC)



Please dispose of the product at the end of its operational lifetime by taking it to your local collection point or recycling center for such equipment.

CE Declaration of Conformity

- EMC Directive (2004/108/EC)

The declaration is available at www.sennheiser.com.



Sennheiser electronic GmbH & Co. KG

Am Labor 1, 30900 Wedemark, Germany

www.sennheiser.com

Publ. 07/15, 520110/A03