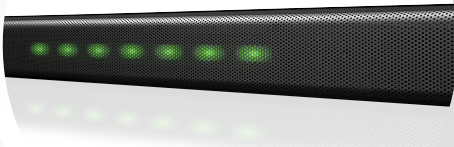




LENUBIO

CONFERENCING MADE SIMPLE



LENUBIO

LENUBIO

Integrated Audio Collaboration System with DSP

The LENUBIO Integrated Audio Collaboration System is the latest cutting edge meetingIO Series product by TOA Electronics. As a professional steerable microphone array system with integrated stereo soundbar LENUBIO is the perfect all-in-one conferencing solution for small to medium size conference spaces with great return on investment. Built-in AEC (Acoustic Echo Cancellation), ANC (Ambient Noise Cancellation), and EQ maximize performance making collaboration between remote sites a very natural experience. Connectivity includes USB ports for direct integration with computers and webcams, Bluetooth, codec input/output, stereo audio inputs/outputs, and contact inputs/outputs. LED indicators identify and track the presenters location in addition to showing mute status, and microphone gain level. It is truly real-time beam steering illuminated. Easy installation is made possible with included mounting hardware. Available in black and white, the unit is powered via Ultra PoE or regular power supply.



REAL-TIME BEAM STEERING ILLUMINATED

Seven LED indicators behind the front grille illuminate to visually track presenter location, display microphone gain level, and show microphone mute status.

GUI FOR EASY SETUP AND CONTROL

The browser interface is available to make adjustments to parameter settings such as mixer volume controls, audio processing, LED indicator management, control I/O, presets, and voice tracking field adjustments for coverage within a 20 foot range.

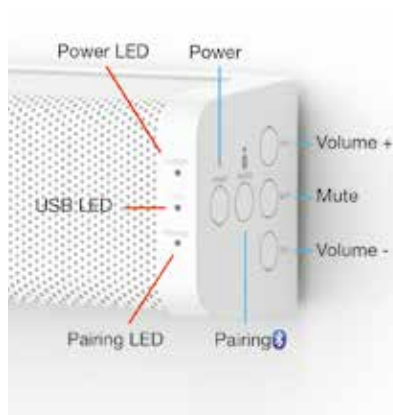


KEY BENEFITS

- LENUBIO creates the most natural communication available for team collaboration between remote locations. With the integrated array mic and soundbar positioned below the display participants actually talk with each other just as they would in normal conversation.
- For impromptu meetings, a smartphone can be quickly paired with LENUBIO via bluetooth connectivity for exceptionally clear communication.
- Presentations become impactful with the professional grade high-quality audio delivered via stereo soundbar with subwoofer output.

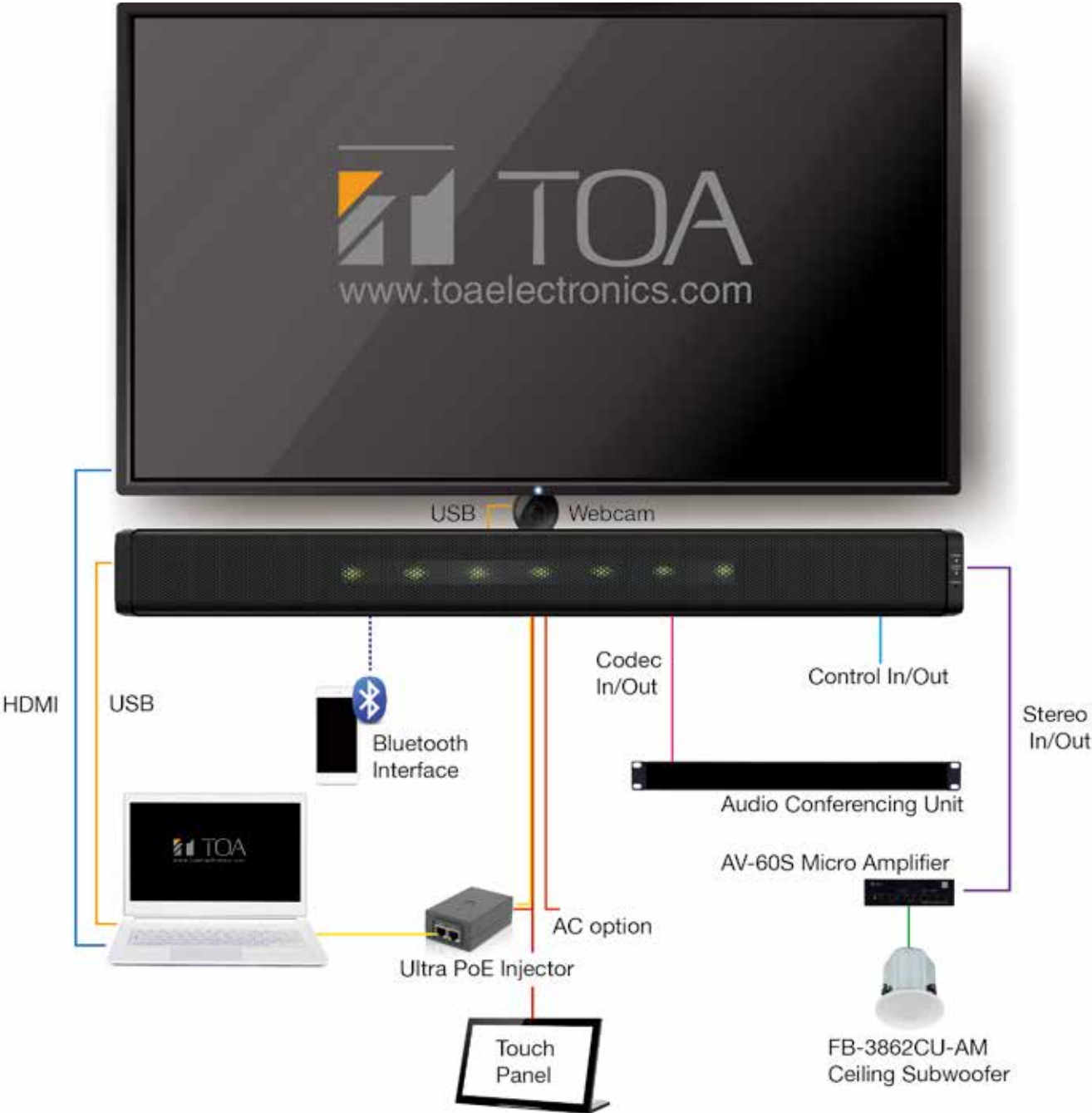
KEY FEATURES

- TOA's beam steering array microphone technology
- Integrated DSP functions including Acoustic Echo Cancellation and Ambient Noise Control
- API for industry standard AV control platforms
- Built-in USB Hub for webcam integration
- Stereo soundbar with stereo inputs/outputs and Bluetooth
- Codec input/output and Contact Closure inputs/outputs
- GUI provides intuitive control via browser
- Included mounting hardware for easy installation





LENUBIO SYSTEM DIAGRAM



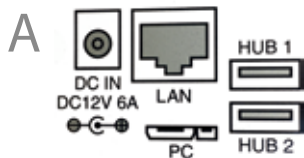
LENUBIO



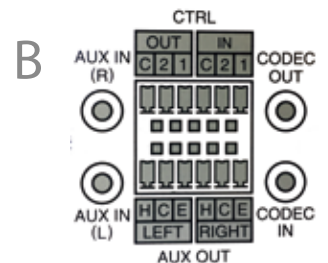
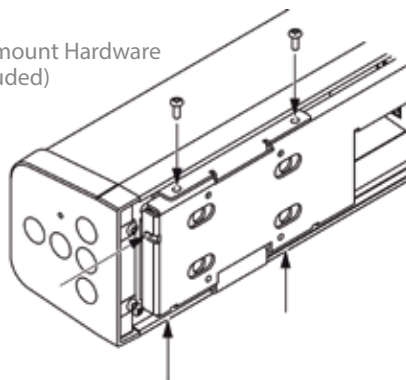
LENUBIO Specifications

		AM-CF1B (Black)	AM-CF1W (White)
Power Source		12 V DC (supplied from the specified AC adapter) or 52 V DC (supplied from the specified PoE extender)	
Current Consumption		Under 3.5 A	
Inputs		USB Audio: 2 channels, USB 3.0/USB 2.0/USB 1.1 micro-B port Bluetooth: 2 channels, Codec: 1 channel, RCA pin jack, -10 dB*1, 10 kΩ, unbalanced type AUX: 2 channels, RCA pin jack, -10 dB*1, 10 kΩ, unbalanced type	
Outputs		USB Audio: 2 channels, USB 3.0/USB 2.0/USB 1.1 micro-B port Bluetooth: 2 channels Codec: 1 channel, RCA pin jack, -10 dB*1, 600 Ω, unbalanced type AUX: 2 channels, removable terminal block (6 pins), 4 dB*2, 600 Ω, balanced (electronically-balanced) type Internal speaker: 2-way × 2 (woofer × 2, tweeter × 1)	
Control Inputs		2 inputs, removable terminal block (6 pins), no-voltage make contact	
Control Outputs		2 outputs, removable terminal block (6 pins), no-voltage make contact, relay contact output	
Network I/F		10BASE-T/100BASE-TX, RJ-45	
Array Microphone		Unidirectional electret condenser type	
Frequency Characteristics		20 Hz – 20 kHz (AUX IN – AUX OUT)	
Operation Section		Power switch, Bluetooth pairing, Mute, Volume Up/Down	
Indicators		Power (blue/green/orange/red), USB connection (green), Bluetooth (blue), Multifunction (green/red)	
Operating Temperature Range		0 – 40°C	
Operating Humidity Range		90% RH or less (no condensation)	
Finish	Body	Surface-treated aluminium plate, black, 30 % gloss	Surface-treated aluminium plate, white (RAL 9003 equivalent), 30 % gloss
	Punched Net	Surface-treated steel plate, black, 30 % gloss	Surface-treated steel plate, white (RAL 9003 equivalent), 30 % gloss
	Side Cover	ABS resin, black	ABS resin, white
Dimensions		799 (w) x 83.2 (h) x 85.5 (d) mm (31.46" x 3.28" x 3.37")	
Weight		4.6 kg (10.14 lb)	

CONNECTIONS



Wallmount Hardware
(included)





TOA Electronics, Inc

www.toaelectronics.com
www.toaelectronicsUSA.com

FREE DESIGN SERVICES
freedesign@toaelectronics.com

SALES GROUP
sales@toaelectronics.com

CUSTOMER SERVICE
orders@toaelectronics.com

PRODUCT SUPPORT
techsupport@toaelectronics.com