

5. SPECIFICATIONS

Rated Input	60W
Rated Impedance	70V line: 83Ω (60W), 170Ω (30W) 100V line: 170Ω (60W)
Sound Pressure Level	114dB (1W, 1m)
Maximum Sound Pressure Level	132dB (60W, 1m)
Frequency Response	350Hz – 7kHz
Directivity Angle	Horizontal: 90° (2kHz), Vertical: 15° (2kHz)
Speaker Component	Horn speaker unit x 8
Operating Temperature	-20°C to +55°C (-4°F to +131°F)
Water Protection	IPX66
Finish	Case, Panel: Aluminum, salt-resistant, paint, grey Front grille: Aluminum, black Bracket: Stainless steel (SUS 304), paint, grey
Dimensions	167(w) x 1233(h) x 140.5(d) mm (6.57" x 48.54" x 5.53")
Weight	13.5kg (29.76lb)

Note

- The design and specifications are subject to change without notice for improvement.

Accessories

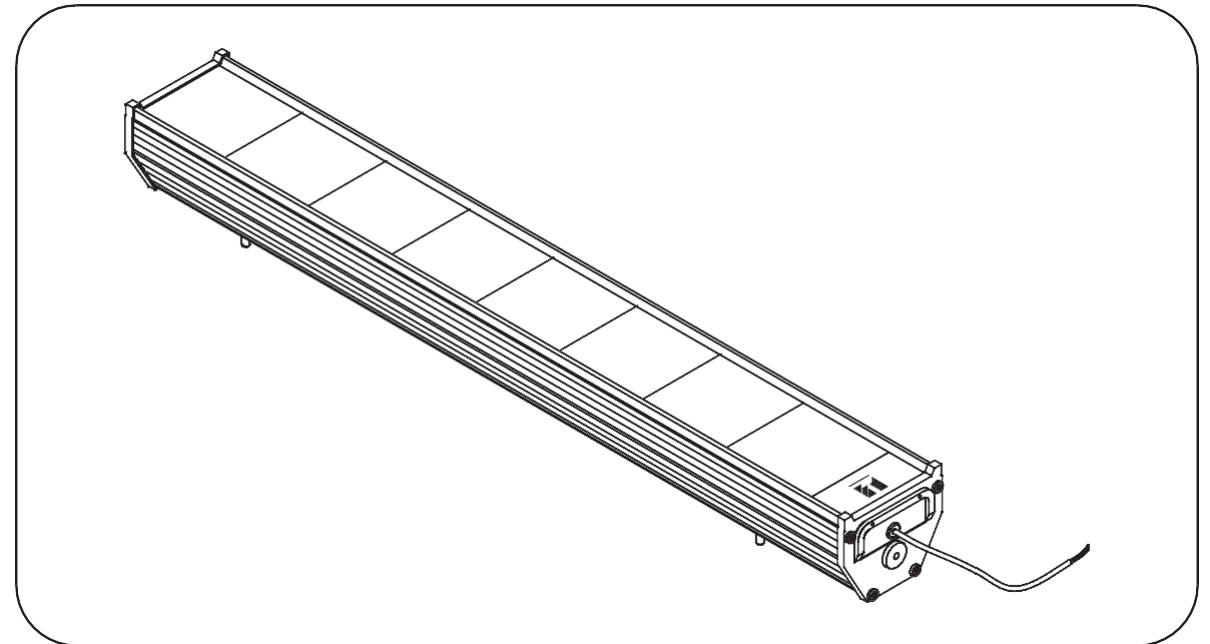
Mounting Bracket	2
Hexagonal Bolt (M8 x 20)	2
Washer (M8)	4
Spring Washer (M8)	2
Washer (M10)	8
Spring Washer (M10)	4
Nut (M10)	4



LONG RANGE SLIM ARRAY SPEAKERS

HA-1010 AMQ

Thank you for purchasing TOA's LONG RANGE SLIM ARRAY SPEAKERS.
Please carefully follow the instructions in this manual to ensure long, trouble-free use of your equipment.



1. SAFETY PRECAUTIONS

- Be sure to read the instruction manual in this section carefully before use.
- Make sure to observe the instruction in this manual as the convention of safety symbols and messages regarded as very important precautions are included.
- We also recommend you keep this instruction manual handy for future reference.

WARNING

Indicates a potentially hazardous situation which, if mishandled, could result in death or serious personal injury.

When Installing the Unit

- Install the speaker only in a location that can structurally support the weight of the speaker and the mounting bracket. Doing otherwise may result in the unit falling down and causing personal injury and/or property damage.

CAUTION

Indicates a potentially hazardous situation which, if mishandled, could result in moderate or minor personal injury, and/or property damage.

When Installing the Unit

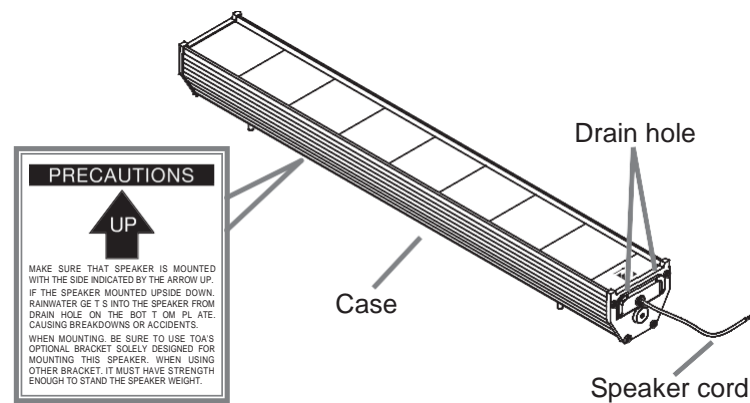
- Do not place heavy object on the speaker as this may cause it to fall or break which may result in personal injury and/or property damage. In addition, the object itself may fall off and cause injury and/or damage.
- Do not stand or sit on, nor hang down from the speaker as this may cause it to fall down or drop, resulting in personal injury and/or property damage.
- Do not operate the speaker for an extend period of time with the sound distorting. Doing so may cause the connected speakers to heat, resulting in a fire.

2. FEATURES

The HA-1010 is long range speaker slim array is composed of multiple horn speaker positioned in an array. It features long-range sound coverage further than conventional horn speakers, narrowly focused vertical directivity that allows excessive volume to be controlled at closer proximity, and form a continuous linear sound source, achieving uniform sound pressure with less attenuation due to distance.

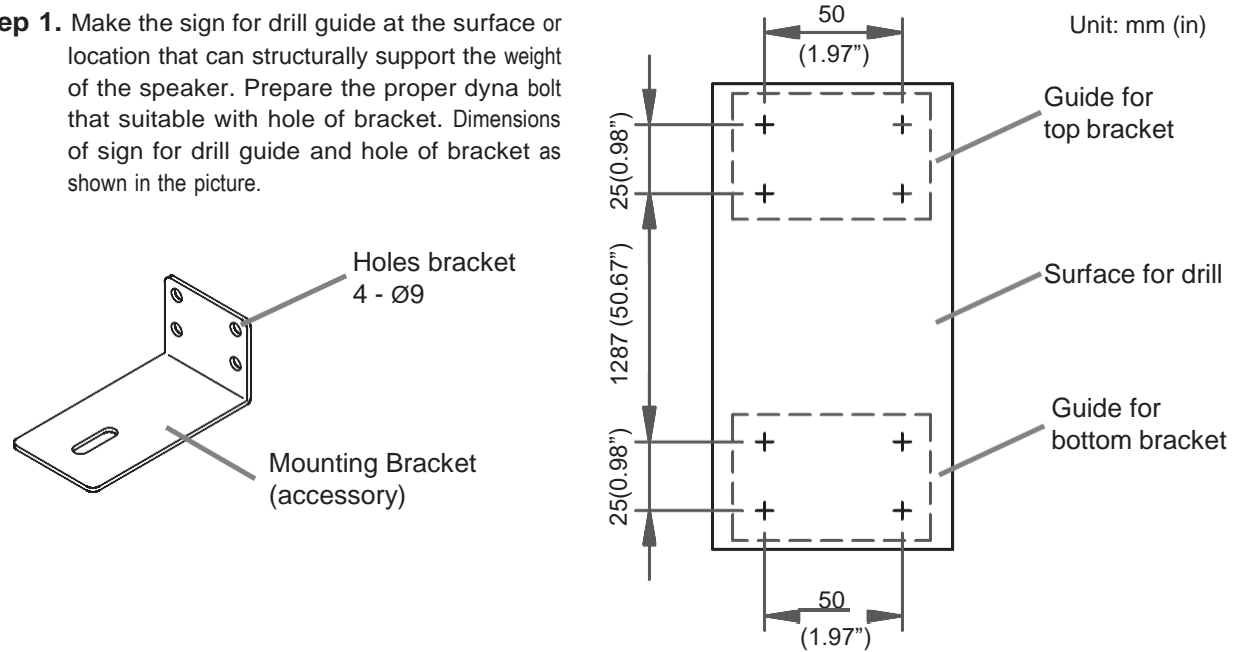
3. INSTALLATION PRECAUTIONS

- This long range slim array speakers have feature a drain hole built into same panel that holds the speaker cord. For proper drainage, when installation please ensure that this panel faces down toward the ground or follow the instruction of direction label at the rear case.
- When using the other bracket, please to use TOA's optional bracket solely designed for mounting this speaker or it must have strength enough to stand the speaker weight.



3. INSTALLATION

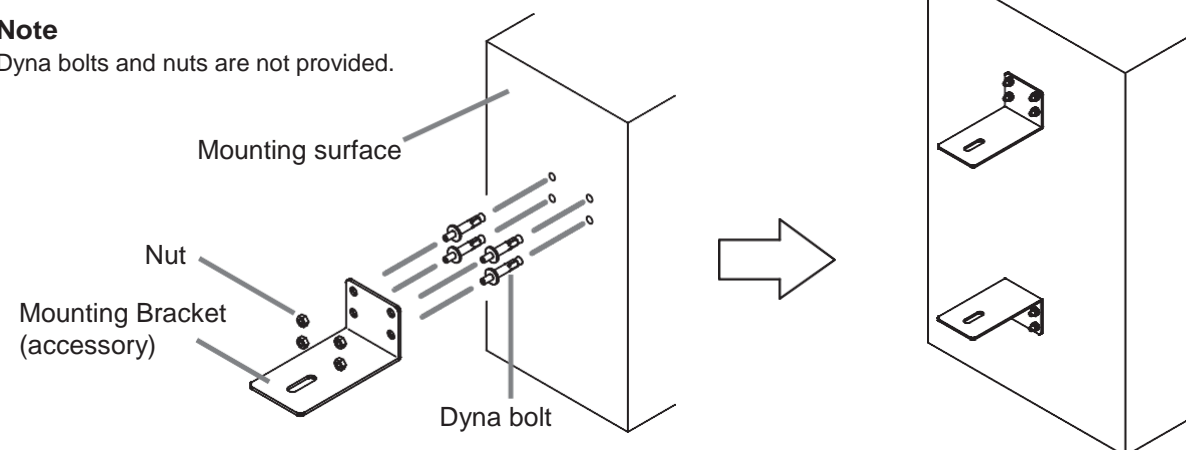
Step 1. Make the sign for drill guide at the surface or location that can structurally support the weight of the speaker. Prepare the proper dyna bolt that suitable with hole of bracket. Dimensions of sign for drill guide and hole of bracket as shown in the picture.



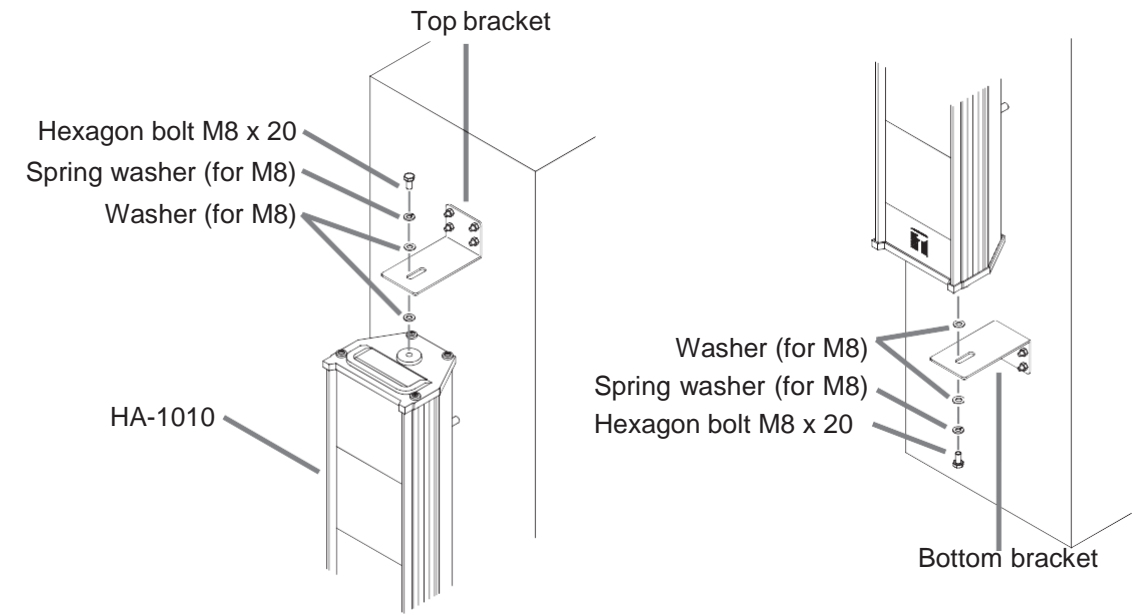
Step 2. Drill the surface that have been marked, install the proper dyna bolt then the both of top and bottom bracket.

Note

Dyna bolts and nuts are not provided.



Step 3. Install the long range slim array to the bracket that have been installed to the mounting surface using supplied hexagon bolt, washer, and spring washer to top and bottom bracket.



Note

When the speaker installation need slope angel, use the optional Q-HA-1100 speaker bracket.

4. SPEAKER CORD COLOR CODING



Line voltage		70V LINE		100V LINE
Rated input		60W	30W	60W
Impedance		83Ω	170Ω	170Ω
Cord color coding	HOT	BLACK	BLUE	BLUE
	COM	WHITE	WHITE	WHITE

Speaker cord
For connections, refer to the table.

5. WIRING DIAGRAM

Wiring diagram

