

## 60W

### DESCRIPTION

The Long Range Slim Array Speaker is composed of multiple horn speaker positioned in an array. It features long-range sound coverage further than conventional horn speakers, and narrowly focused vertical directivity that allows excessive volume to be controlled at closer proximity.

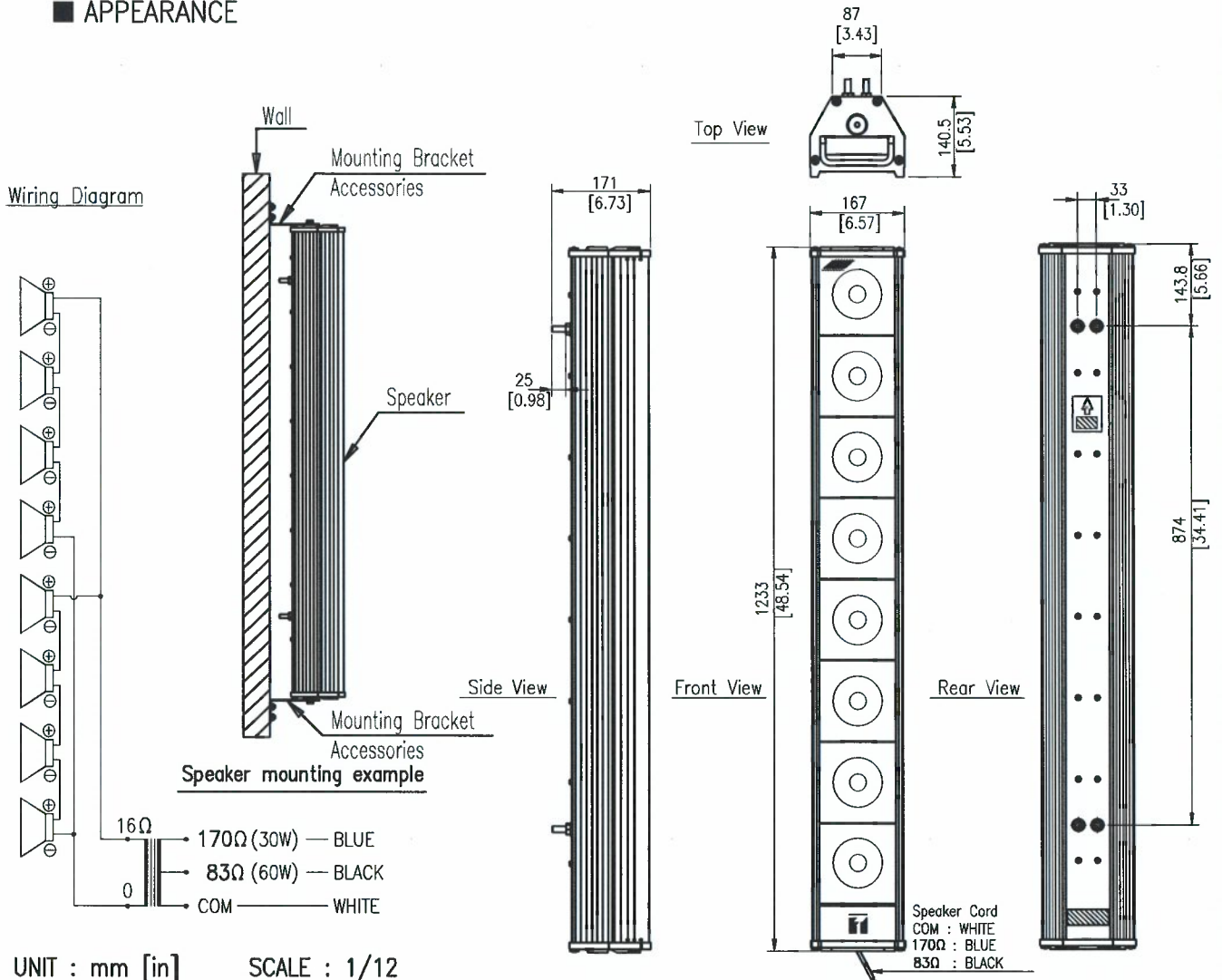
90° horizontal x 15° vertical wide directivity high-frequency array horn speaker.

### SPECIFICATIONS

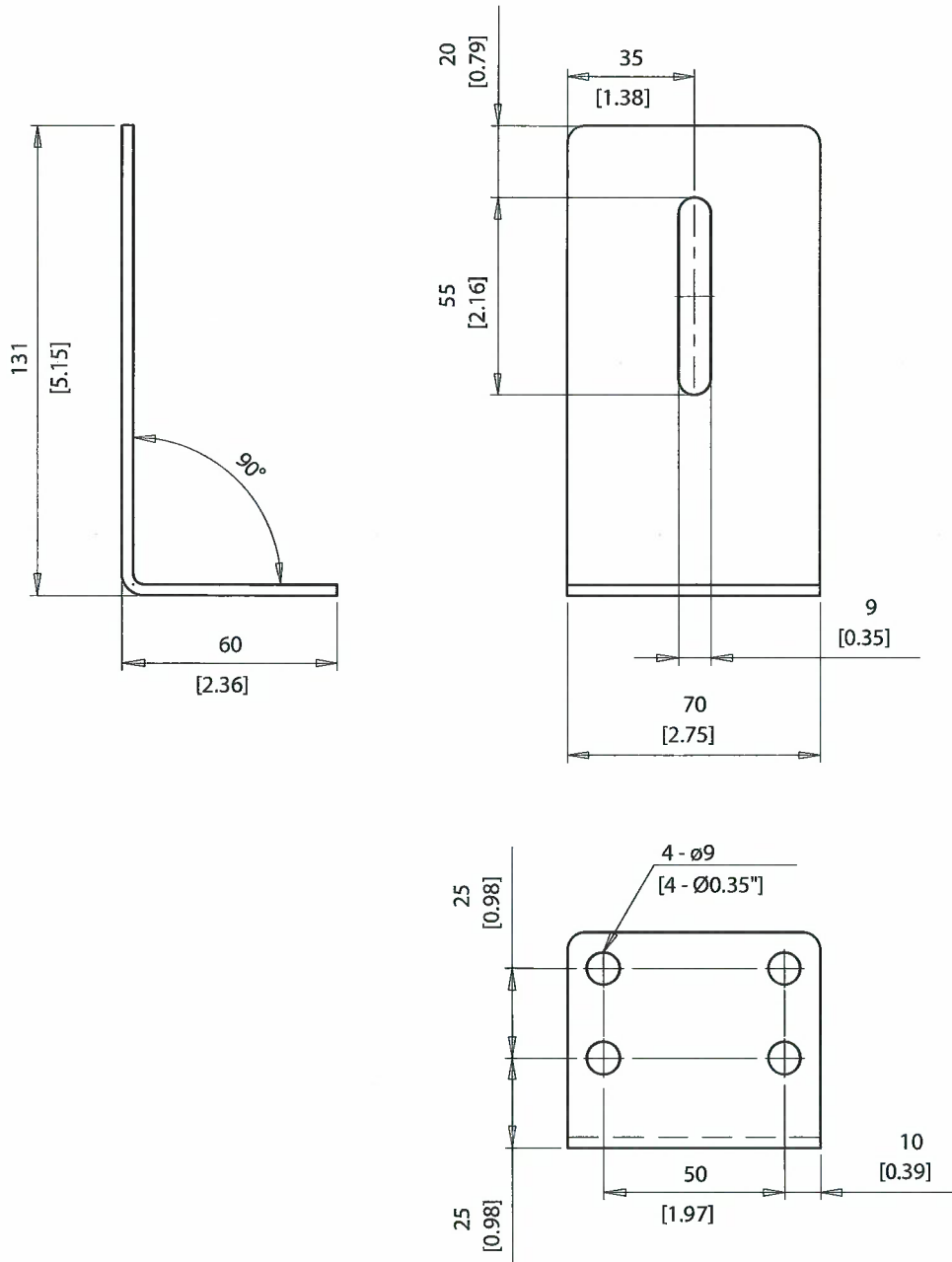
Rated Input	60W (70V LINE)
Rated Impedance	83Ω (60W), 170Ω (30W) : 70V, 170Ω (60W) : 100V
Sound Pressure Level	114dB (1W, 1m)
Maximum Sound Pressure Level	132dB (60W, 1m)
Frequency Response	350Hz - 7kHz
Directivity Angle	Horizontal: 90° (2kHz), Vertical: 15° (2kHz)
Speakers Component	Horn speaker unit x 8
Operating Temperature	-20°C to +55°C (-4°F to +131°F)
Water Protection	IP66
Finish	Case, Panel: Aluminum, salt-resistant, paint, grey Front grille: Aluminum, black
Dimensions	167 (W) x 1233 (H) x 140.5 (D) mm (6.57" x 48.54" x 5.53")
Weight	13.5kg (29.76lb)
Accessories	Installation nut (M10)... 4, Washer (M10)... 8, Spring Washer (M10)... 4 Mounting Bracket... 2, Bolt M8 x 20... 2 Washer (M8)... 4, Spring Washer (M8)... 2

Note: A drain hole is provide on the speaker cable side of the cabinet. Make sure that its speaker cable side down faces. The speaker must be installed upright or facing down. Installing the speaker in any other position may render the drain hole ineffective, eventually leading to an electrical failure or other damage.

### APPEARANCE



MOUNTING BRACKET



UNIT : mm[in] SCALE : 1/2