



evolution wireless G4

ew 500 BOOM G4

Pro Camera Plug-on Transmitter set



The professional's choice for broadcast quality sound
Providing the highest flexibility for your video sound and field recording applications. A robust wireless microphone system that offers ultimate sound quality, simple mounting and ease of use.

The phantom power-equipped SKP 500 plug-on transmitter adapts any wired shotgun or handheld microphone for a wide range of wireless applications, from field interviews to off-camera boom work.

FEATURES

- Highly versatile solution for professional film sound: Rugged all-in-one wireless system for professional interviews and recording
- Professional sound and excellent construction quality
- Easy to use and fast setup time
- Easy and flexible wireless synchronisation between transmitter and receiver via infrared
- With 48 V phantom powering
- Up to 88 MHz bandwidth, up to 32 channels
- Range: up to 100 meters / 330 feet
- Increased RF output power (10/30/50 mW)
- Up to 8 hours of operation time

DELIVERY INCLUDES

- EK 500 G4 camera receiver
- SKP 500 G4 pro plug-on transmitter
- 4 AA batteries
- CL 1 3.5 mm jack cable
- CL 500 XLR to 3.5 mm jack adapter cable
- CA 2 camera adapter
- quick guide
- safety guide
- manufacturer declaration sheet



evolution wireless G4

ew 500 BOOM G4

Pro Camera Plug-on Transmitter set

PRODUCT VARIANTS

Made in Germany

ew 512 BOOM G4-K+	925 - 937.5 MHz	Art. no. 508225
ew 512 BOOM G4-GBw	606 - 678 MHz	Art. no. 508226
ew 512 BOOM G4-Gw	558 - 626 MHz	Art. no. 508227
ew 512 BOOM G4-Bw	626 - 698 MHz	Art. no. 508228
ew 512 BOOM G4-Cw	718 - 790 MHz	Art. no. 508229
ew 512 BOOM G4-Dw	790 - 865 MHz	Art. no. 508230
ew 512 BOOM G4-Aw+	470 - 558 MHz	Art. no. 508420

Assembled in USA

ew 512 BOOM G4-AS	520 - 558 MHz	Art. no. 508217
ew 512 BOOM G4-JB	806 - 810 MHz	Art. no. 508218
ew 512 BOOM G4-Gw	558 - 626 MHz	Art. no. 508219
ew 512 BOOM G4-Bw	626 - 698 MHz	Art. no. 508220
ew 512 BOOM G4-Cw	718 - 790 MHz	Art. no. 508221
ew 512 BOOM G4-Dw	790 - 865 MHz	Art. no. 508222
ew 512 BOOM G4-Aw+	470 - 558 MHz	Art. no. 508441
ew 512 BOOM G4-Gw1	558 - 608 MHz	Art. no. 508462

SPECIFICATIONS

EK 500 G4

RF characteristics

Modulation	Wideband FM
Frequency ranges	Aw+: 470 - 558 MHz AS: 520 - 558 MHz Gw1: 558 - 608 MHz Gw: 558 - 626 MHz GBw: 606 - 678 MHz Bw: 526 - 698 MHz Cw: 718 - 790 MHz Dw: 790 - 865 MHz JB: 806 - 810 MHz K+: 925 - 937.5 MHz
Receiving frequencies	Max. 3520 receiving frequencies, adjustable in 25 kHz steps 20 frequency banks, each with up to 32 factory-pre-set channels, no intermodulation 6 frequency banks with up to 32 programmable channels
Switching bandwidth	up to 88 MHz
Nominal/peak deviation	±24 kHz / ±48 kHz
Receiver principle	Adaptive diversity
Sensitivity (with HDX, peak deviation)	< 1.6 µV for 52 dB _{eff S/N}
Adjacent channel selection	Typically ≥ 65 dB
Intermodulation attenuation	Typically ≥ 65 dB
Blocking	≥ 70 dB

Squelch	low: 5 dBµV middle: 15 dBµV high: 25 dBµV
Pilot tone squelch	Can be switched off

AF characteristics

Compander system	Sennheiser HDX
Signal-to-noise ratio (1 mV, peak deviation)	Line: ≥ 110 dBA Phones: approx. 90 dBA
Total harmonic distortion (THD)	≤ 0.9 %
AF output voltage (at peak deviation, 1 kHz AF)	3.5 mm jack socket: +17 dBu (mono, balanced)
Adjustment range of audio output level	42 dB, adjustable in steps of 6 dB

Overall device

Temperature range	-10 °C to +55 °C
Power supply	2 AA batteries, 1.5 V or BA 2015 accupack
Nominal voltage	3 V battery / 2.4 V rechargeable battery
Current consumption	at nominal voltage: typ. 140 mA with receiver switched off: ≤ 25 µA
Operating time	Typically 8 h
Dimensions	Approx. 82 x 64 x 24 mm
Weight (incl. batteries)	approx. 130 g



evolution wireless G4

ew 500 BOOM G4

Pro Camera Plug-on Transmitter set

SPECIFICATIONS

SKP 500 G4

RF characteristics	
Modulation	Wideband FM
Frequency ranges	Aw+: 470 - 558 MHz AS: 520 - 558 MHz Gw1: 558 - 608 MHz Gw: 558 - 626 MHz GBw: 606 - 678 MHz Bw: 526 - 698 MHz Cw: 718 - 790 MHz Dw: 790 - 865 MHz JB: 806 - 810 MHz K+: 925 - 937.5 MHz
Transmission frequencies	Max. 3520 frequencies, adjustable in 25 kHz steps 20 frequency banks, each with up to 32 factory-pre- set channels, no intermo- dulation 6 frequency banks with up to 32 programmable channels
Switching bandwidth	up to 88 MHz
Nominal/peak deviation	± 24 kHz / ± 48 kHz
Frequency stability	$\leq \pm 15$ ppm
RF output power at 50 Ω	switchable: Low: typ. 10 mW Standard: typ. 30 mW High: typ. 50 mW
Pilot tone squelch	Can be switched off

AF characteristics

Compander system	Sennheiser HDX
AF frequency response	80 - 18,000 Hz
Signal-to-noise ratio (1 mV, peak deviation)	≥ 120 dBA
Total harmonic distortion (THD)	≤ 0.9 %
Max. input voltage	6 V _{eff}
Input impedance	68 k Ω , unbalanced
Input capacitance	Switchable
Setting range for input sensitivity	48 dB, adjustable in 6 dB steps

Overall device

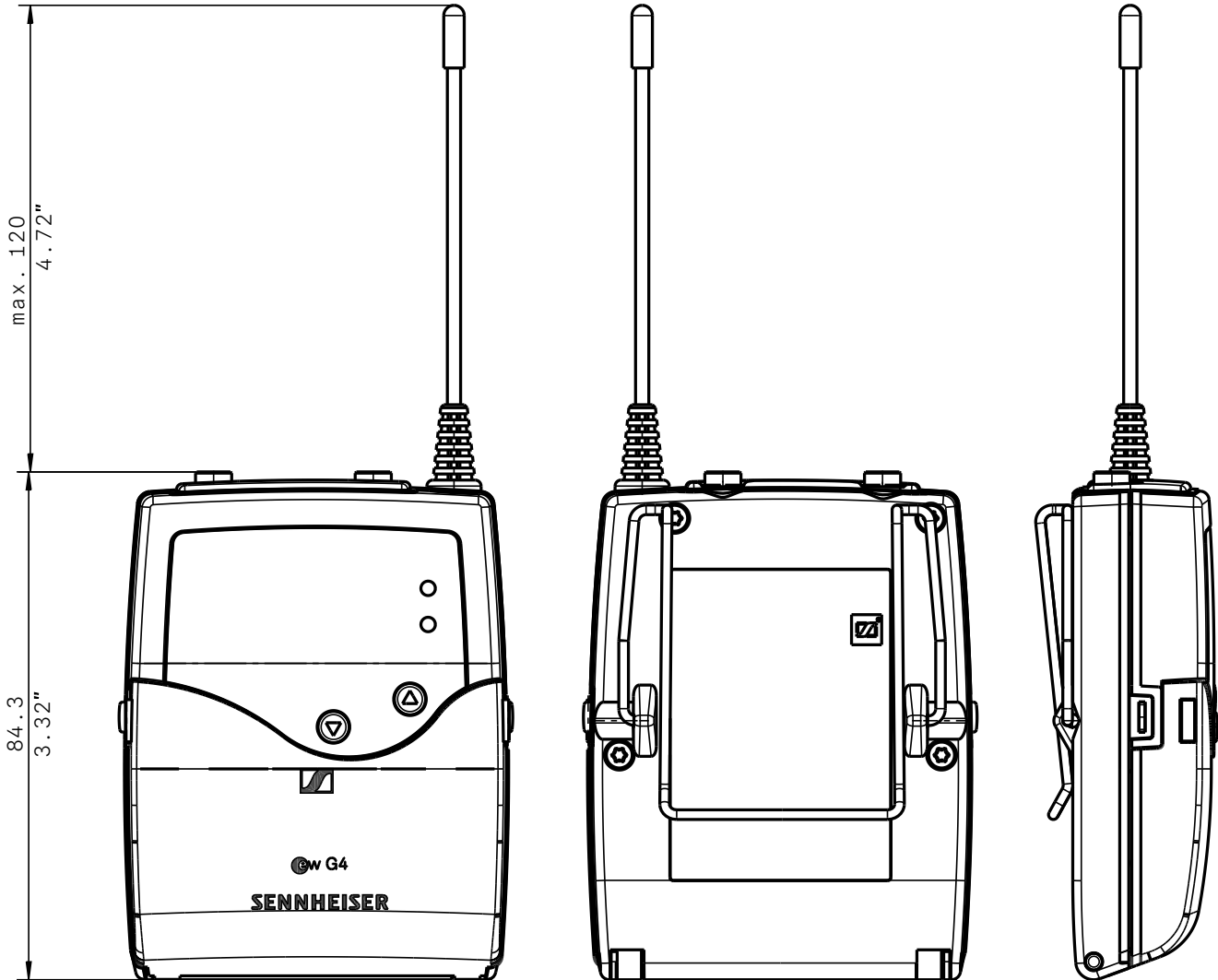
Temperature range	-10 °C to +55 °C
Power supply	2 AA batteries, 1.5 V or BA 2015 accupack
Nominal voltage	3 V battery / 2.4 V rechargeable battery
Current consumption	at nominal voltage: typ. 210 mA with transmitter switched off: ≤ 25 μ A
Operating time	Typically 8 h
Dimensions	Approx. 105 x 43 x 43 mm
Weight (incl. batteries)	approx. 195 g



evolution wireless G4 ew 500 BOOM G4 Pro Camera Plug-on Transmitter set

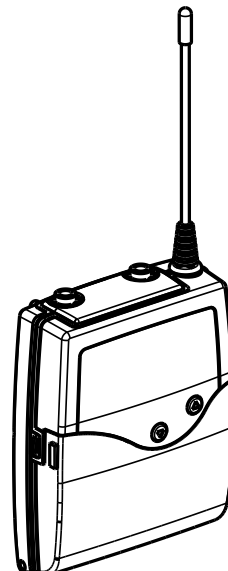
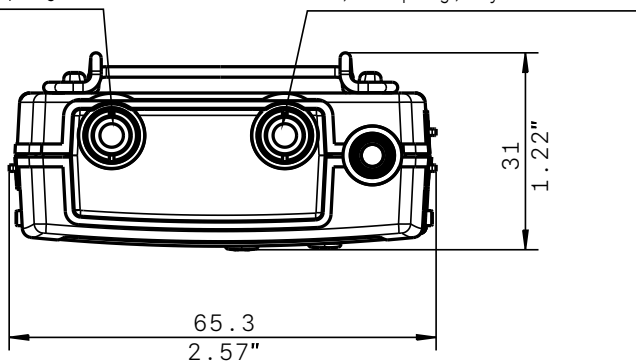
DIMENSIONS

EK 500 G4



3,5mm Klinke
3,5mm plug

3,5mm Klinke, symmetrisch
3,5mm plug, symmetrical

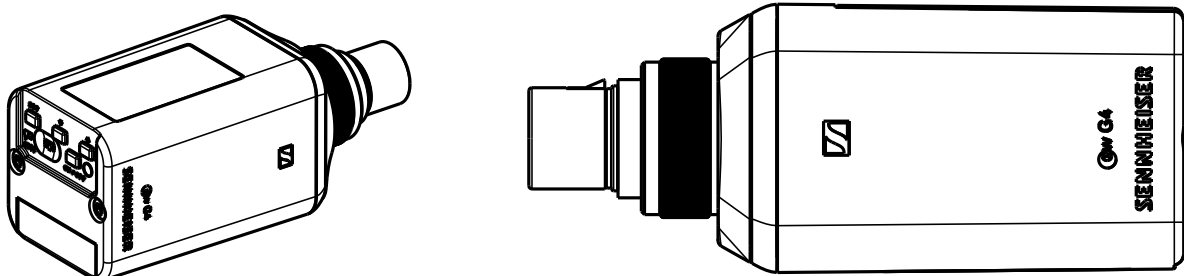
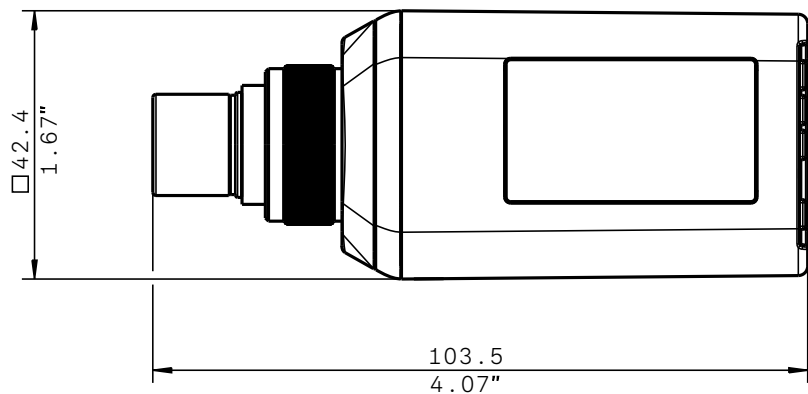
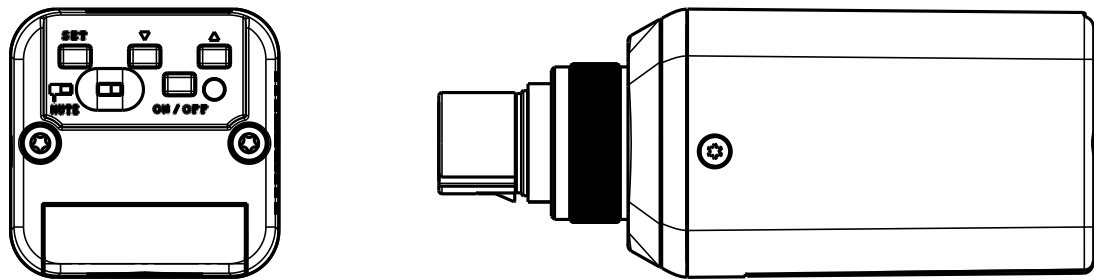
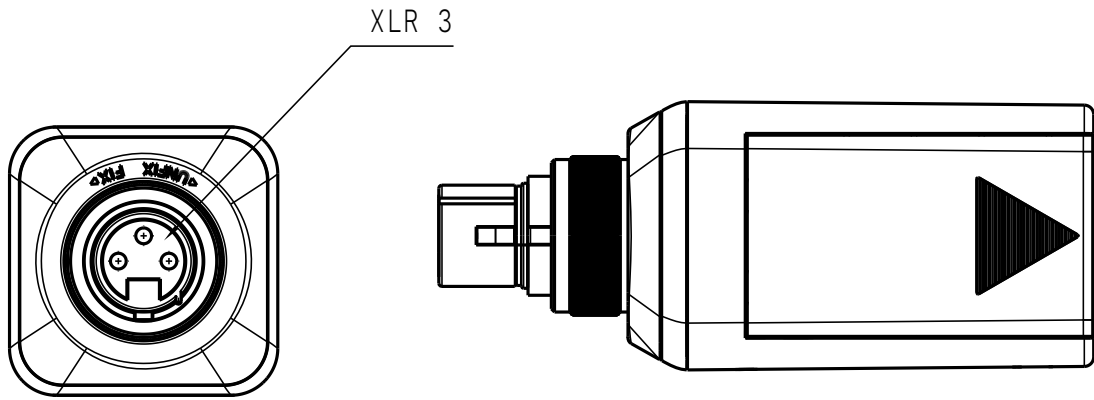




evolution wireless G4 ew 500 BOOM G4 Pro Camera Plug-on Transmitter set

DIMENSIONS

SKP 500 G4





evolution wireless G4

ew 500 BOOM G4

Pro Camera Plug-on Transmitter set

ARCHITECT'S SPECIFICATION

A wireless RF transmission system consisting of a compact camera receiver, a bodypack transmitter with a condenser clip-on microphone and a plug-on transmitter

The system shall operate within ten UHF frequency ranges, with a switching bandwidth of up to 88 MHz: 470 – 558 MHz, 520 – 558 MHz, 558 – 608 MHz, 558 – 626 MHz, 606 – 678 MHz, 626 – 698 MHz, 718 – 790 MHz, 790 – 865 MHz, 806 – 810 MHz, 925 – 937.5 MHz; receiving frequencies shall be 3520 per range and shall be tunable in 25 kHz steps. The system shall feature 20 fixed frequency banks with up to 32 compatible frequency presets and 6 user banks with up to 32 user programmable frequencies.

The receiver shall be menu-driven with a backlit LC display showing the current frequency, frequency bank and channel number, metering of RF level, metering of AF level, lock status, battery status, muting function or line output level, and pilot tone evaluation. An auto-lock feature shall be provided to prevent settings from being accidentally altered.

The receiver parameters shall either be configurable in the associated transmitter's menu and synchronized with the receiver via an integrated infrared interface or shall be programmable in the receiver menu.

The receiver shall feature a 3.5 mm audio output with a maximum output of +17 dBu (mono, balanced) and a 3.5 mm phone output.

Nominal/peak deviation shall be ± 24 kHz/ ± 48 kHz. Squelch threshold shall be defeatable (off) or adjustable to three levels: Low (5 dB μ V), Middle (15 dB μ V) and High (25 dB μ V).

The receiver shall incorporate the Sennheiser HDX compander system and a defeatable pilot tone squelch. Sensitivity shall be < 1.6 μ V for 52 dBA eff S/N with HDX engaged at peak deviation. Adjacent channel rejection shall be ≥ 65 dB (typical). Intermodulation attenuation shall be ≥ 65 dB (typical); blocking shall be ≥ 70 dB. Signal-to-noise ratio at 1 mV and peak deviation shall be ≥ 110 dBA (line) or approximately 90 dbA (phones). Total harmonic distortion (THD) shall be ≤ 0.9 %. The audio output level shall be adjustable within a 42 dB range in steps of 6 dB.

Power shall be supplied to the receiver by two 1.5V AA size batteries or by one Sennheiser BA 2015 rechargeable accupack. Nominal voltage shall be 2.4 V, current consumption shall be typical 140 mA at nominal voltage; ≤ 25 μ A when receiver is switched off. Operating time shall be typical 8 hours. The receiver shall have a rugged metal housing; dimensions shall be approximately 82 x 64 x 24 mm (3.23" x 2.52" x 0.94"). Weight including the batteries shall be approximately 130 grams (0.29 lbs). Operating temperature shall range from -10 °C to $+55$ °C ($+14$ °F to $+131$ °F).

The receiver shall be the Sennheiser EK 500 G4.

The plug-on transmitter shall be menu-driven with a backlit LC display showing the current frequency, frequency bank and channel number, metering of AF level, lock status, pilot tone evaluation, muting function, and battery status. An auto-lock feature shall be provided to prevent settings from being accidentally altered.

Some plug-on transmitter parameters such as receiving frequency, plug-on transmitter name and pilot tone setting shall be synchronizable with the associated plug-on transmitter via an integrated infrared interface.

The plug-on transmitter shall be equipped with a mute switch, which shall be switchable between "AF on/off", "RF on/off" and "Disabled" via the user interface. The plug-on transmitter shall feature an Audio-XLR-3F connector.

Via the "PhantomPower 48V" menu item, the 48 V phantom powering for condenser microphones shall be switchable between "Active" and "Inactive".

Nominal/peak deviation shall be ± 24 kHz/ ± 48 kHz. Frequency stability shall be $\leq \pm 15$ ppm. RF output power at 50 Ω shall be switchable between 10 mW (typical, low) and 30 mW (typical, standard) and 50 mW (typical, high).

The plug-on transmitter shall incorporate the Sennheiser HDX compander system and a defeatable pilot tone squelch. Audio frequency response shall range from 80 – 18,000 Hz. Signal-to-noise ratio at 1 mV and peak deviation shall be ≥ 120 dBA. Total harmonic distortion (THD) shall be ≤ 0.9 %.

The plug-on transmitters max. input voltage shall be 6 Veff; the unbalanced input impedance shall be 6 k Ω ; the input capacitance shall be switchable. The input sensitivity shall be adjustable within a 48 dB range in steps of 6 dB.

Power shall be supplied to the plug-on transmitter by two 1.5V AA size batteries or by one Sennheiser BA 2015 rechargeable accupack. Nominal voltage shall be 2.4 V, current consumption shall be typical 210 mA at nominal voltage; ≤ 25 μ A when plug-on transmitter is switched off. Operating time shall be typical 8 hours. The plug-on transmitter shall have a rugged metal housing; dimensions shall be approximately 105 x 43 x 43 mm (4.13" x 1.69" x 1.69"). Weight including the batteries shall be approximately 195 grams (0.43 lbs). Operating temperature shall range from -10 °C to $+55$ °C ($+14$ °F to $+131$ °F).

The plug-on transmitter shall be the Sennheiser SKP 500 G4.