

■DESCRIPTION

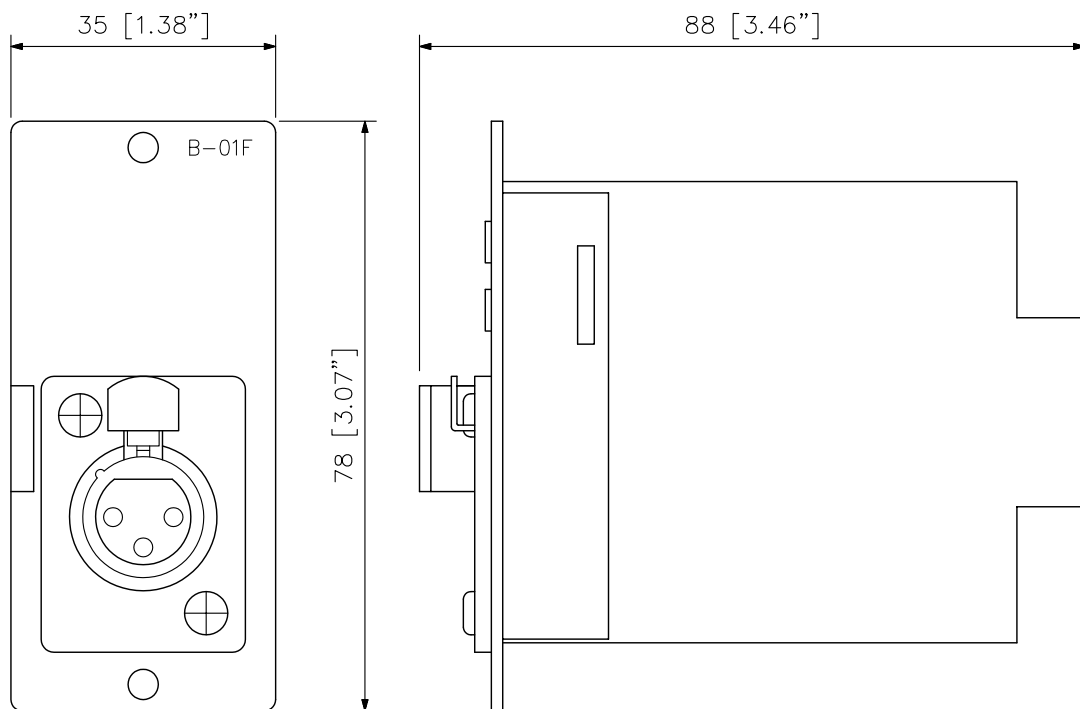
The B-01F is a line input module to be used in conjunction with the 900 series components and other TOA's equipment.  
It has a transformer balanced line input with female XLR type connector.

■SPECIFICATIONS

\* 0 dB=1 V

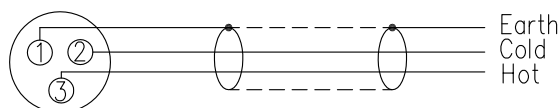
Input Sensitivity	-18 dB* (Rated output: -20 dB*)
Input Impedance	10 kΩ, balanced transformer-isolated
Frequency Response	20 Hz - 20 kHz ±1.5 dB
Connector	Female XLR connector (XLR-3-31 equivalent)
Dimensions	35 (W) × 78 (H) × 88 (D) mm (1.38" × 3.07" × 3.46")
Weight	Max. 110 g (0.24 lb)

■APPEARANCE



Front View

Side View



Connection Diagram

UNIT:mm SCALE:1/1