

DESCRIPTION

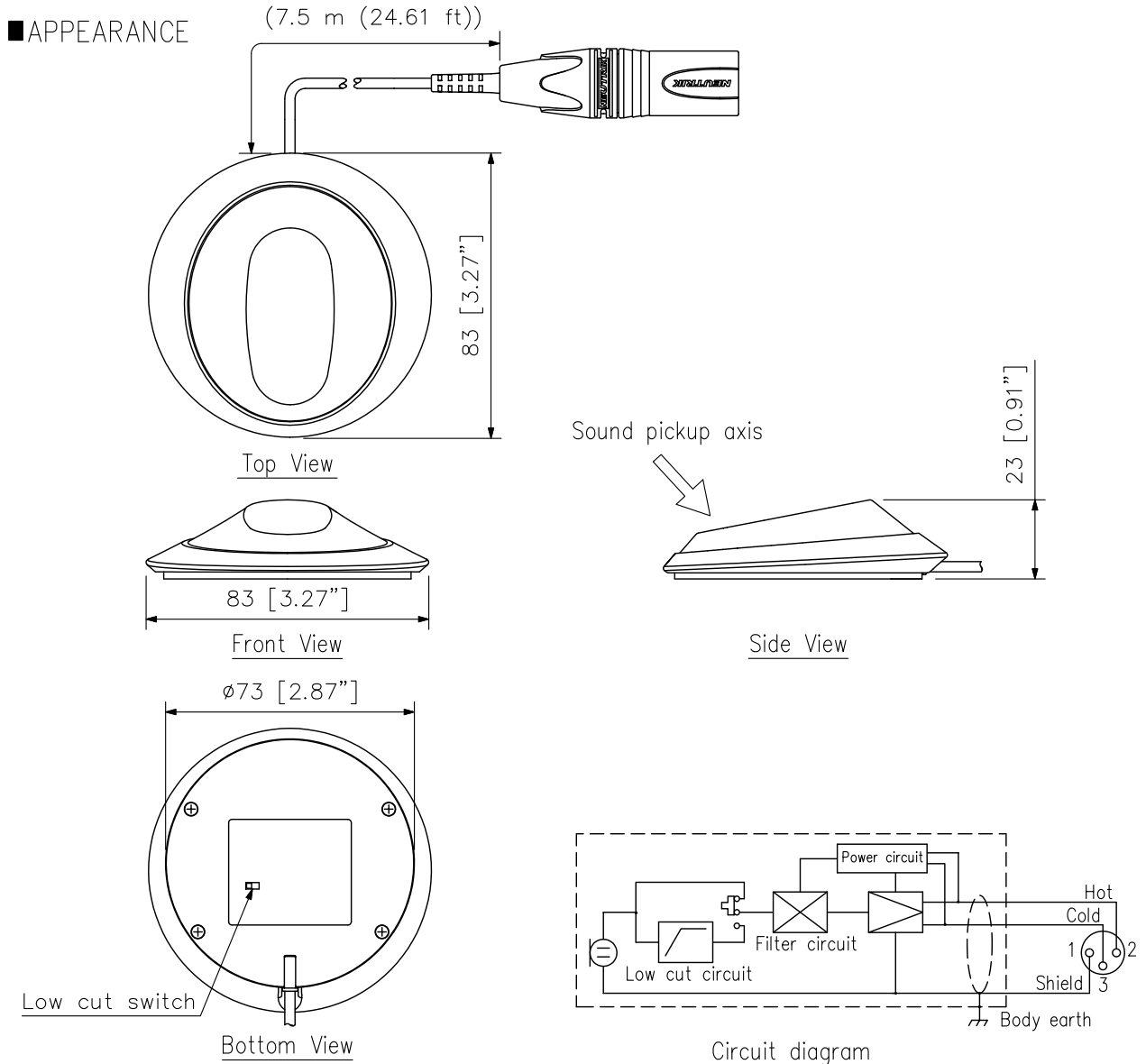
The EM-700 is a low-profile, high-quality, cardioid condenser microphone suitable for installation on a lecture desk or table top in a conference room. It features optimum acoustic characteristics for sound pick-up applications when placed on a flat surface, realizing pure, natural sound quality.

SPECIFICATIONS

|                       |   |
|-----------------------|---|
| Element               | Electret condenser  |
| Polar Pattern         | Cardioid  |
| Rated Impedance       | 120 Ω, balanced   |
| Rated Sensitivity     | -33 dB (1 kHz 0 dB=1 V/Pa)  |
| Phantom Power         | 9 - 52 V DC   |
| Frequency Response    | 35 Hz - 20 kHz  |
| Low Cut               | 100 Hz, -12 dB/oct  |
| Output Connector      | XLR-3-12 equivalent   |
| Cord Length           | 7.5 m (24.61 ft)  |
| Operating Temperature | 0 °C to +40 °C (32 °F to 104 °F)  |
| Finish                | Body: Die-cast aluminum, black, mat finish, paint<br>Punched net: Surface-treated steel plate, black, mat finish, paint |
| Dimensions            | 83 (W) x 23 (H) x 83 (D) mm (3.27" x 0.91" x 3.27") (cord excluded)   |
| Weight                | 290 g (0.64 lb)   |

\* The EM-700 requires 9 - 52 V DC phantom power for operation.

APPEARANCE



UNIT:mm SCALE:1/2