

■DESCRIPTION

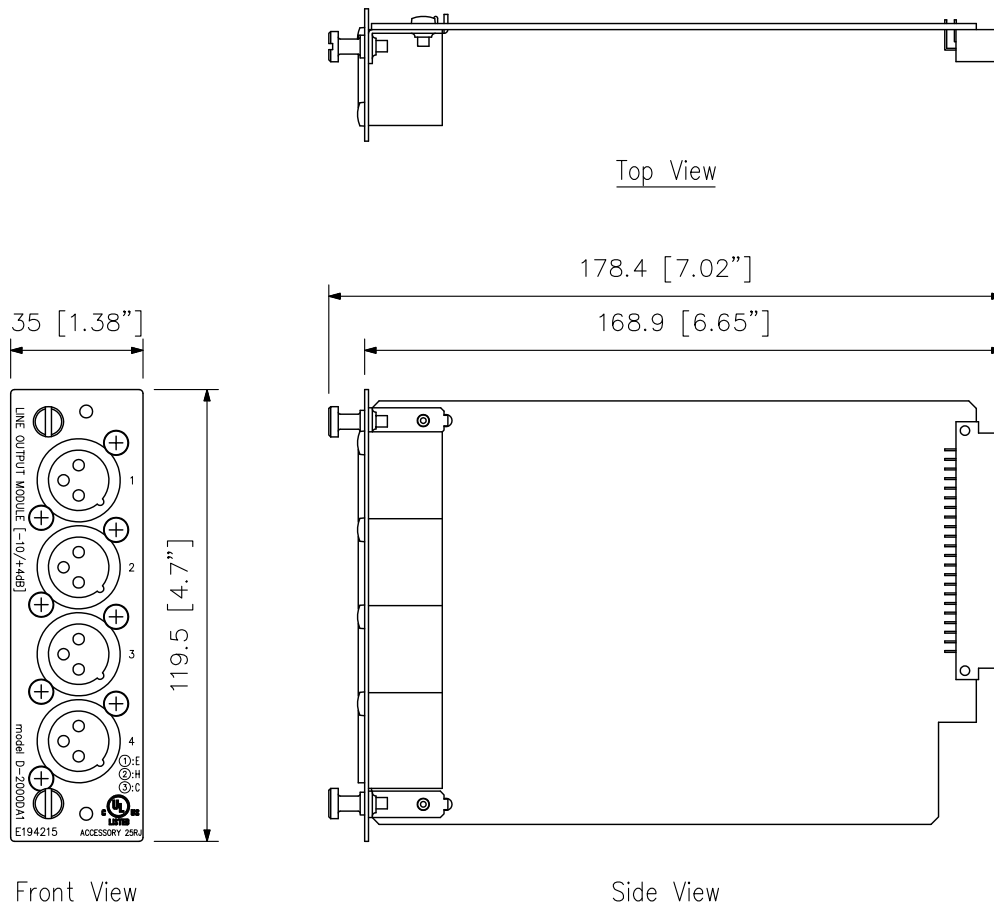
The D-2000DA1 Line Output Module is designed for use with the D-2008SP Digital Mixing Processor Unit and features high quality sound. The output level of each output terminal can be independently set to either +4 dB or -10 dB and its output mode independently set to either balanced or unbalanced type by the built-in DIP switch. It employs XLR type connectors.

■SPECIFICATIONS

* 0 dB = 0.775 V

Output	4 channels, +4 dB*/-10 dB* (changeable), adaptable load of 600 Ω or more, balanced (electronically-balanced)/unbalanced (changeable), XLR-3-32 equivalent
D/A Converter	24 bit
Sampling Frequency	48 kHz
Frequency Response	20 Hz - 20 kHz, ±1 dB
Dynamic Range	104 dB (IHF-A weighted) or more
Total Harmonic Distortion	0.008 % or less
Finish	Panel: Pre-coated steel plate, black, 30 % gloss
Dimensions	35 (W) × 119.5 (H) × 178.4 (D) mm (1.38" × 4.7" × 7.02")
Weight	200 g (0.44 lb)

■APPEARANCE



UNIT:mm SCALE:1/2