

# ME 36

## hypercardioid installed sound microphone

### FEATURES

- Highly directional mini shotgun microphone
- Low noise and large transponse range
- Thin and elegant for unobtrusive miking
- Interference tube rotates for optimum alignment
- Gold plated contact points for Maintenance-free long term operation
- Large range of high quality goosenecks and mounting options

The **ME 36** is a permanently polarized condenser microphone capsule for use with Sennheiser MZH goosenecks. This mini shotgun microphone features a hypercardioid / lobar directivity for an outstanding background noise rejection. In combination with the 15cm short gooseneck MZH 3015 it facilitates inconspicuous placement. The ME 36 is suitable for a very wide range of applications including: conference, public address, studio, broadcast, video and others.



### ARCHITECT'S SPECIFICATIONS

A mini shotgun microphone for speech transmission shall be unobtrusive in appearance. The microphone provides a hypercardioid/lobar directivity and shall be powered with 12 to 48V phantom powering. The microphone shall cover a frequency range of 40Hz to 20kHz, the equivalent noise level must not exceed 23 dB weighted A. For connection with Sennheiser MZH goosenecks a high quality screw thread shall be provided. The electrical contact points shall be gold plated. The housing of the microphone shall be made from metal, finished with a non reflective black coating. Various mounting options and goosenecks shall be available. The microphone shall be Sennheiser ME 36.

### TECHNICAL DATA

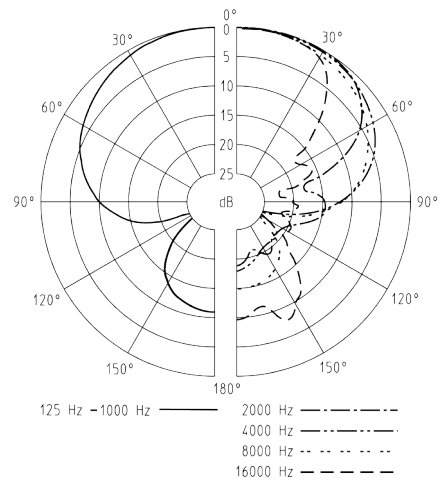
Transducer principle.....	pre-polarised condenser microphone
Acoustics .....	hypercardioid / lobar
Frequency response .....	40Hz - 20 kHz
Impedance.....	50 Ohm
Minimal terminating impedance .....	1 kOhm
Maximum sound pressure level .....	130 dB SPL
Equivalent noise level .....	23 dBA
Equivalent noise level weighted as per CCIR 468-3 .....	34 dB
Phantom powering.....	P12 - P48 V
Current consumption .....	250 µA
Weight .....	17g (6 oz.)
Dimensions .....	∅ 8,2 x L96 mm (∅ 0.33" x 3,78")
Coating.....	matte black
Delivery includes.....	ME 36 microphone MZW 36 windshield

# ME 36 hypercardioid installed sound microphone

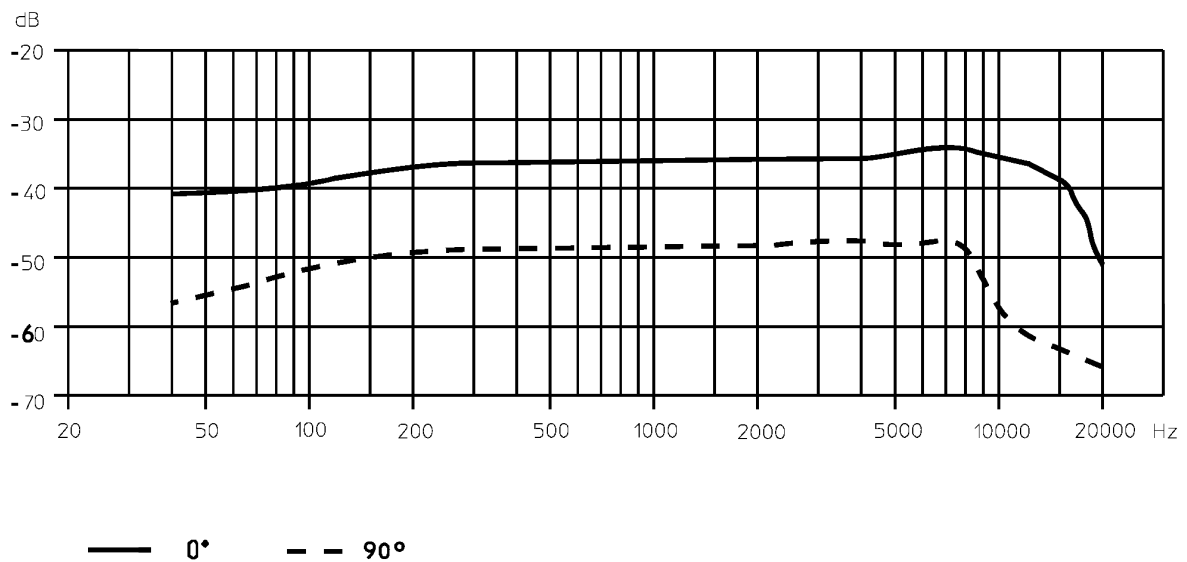
## DIMENSIONS



## POLAR PATTERN



## FREQUENCY RESPONSE



## PRODUCT VARIANTS

ME 36, black	Cat. No. 005065
ME 36 NX, Nextel grey	Cat. No. 500818
ME 36 W, white	Cat. No. 005066

## RECOMMENDED ACCESSORIES

MZH gooseneck series: MZH 3015, MZH 3040, MZH 3042, MZH 3062, MZH 3072

Sennheiser electronic GmbH & Co. KG  
Am Labor 1, 30900 Wedemark, Germany  
www.sennheiser.com

 **SENNHEISER**