

MZT 30

installation XLR-3 socket

FEATURES

- Sturdy installation XLR-3 socket for MZH goosenecks
- For installation in table, lectern or other surfaces
- Non reflective black coating

The **MZT 30** is a sturdy metal XLR-3 socket for installation in tables, lecterns or other surfaces. It reliably holds and locks a MZH gooseneck. It features a non reflective black coating.



ARCHITECT'S SPECIFICATIONS

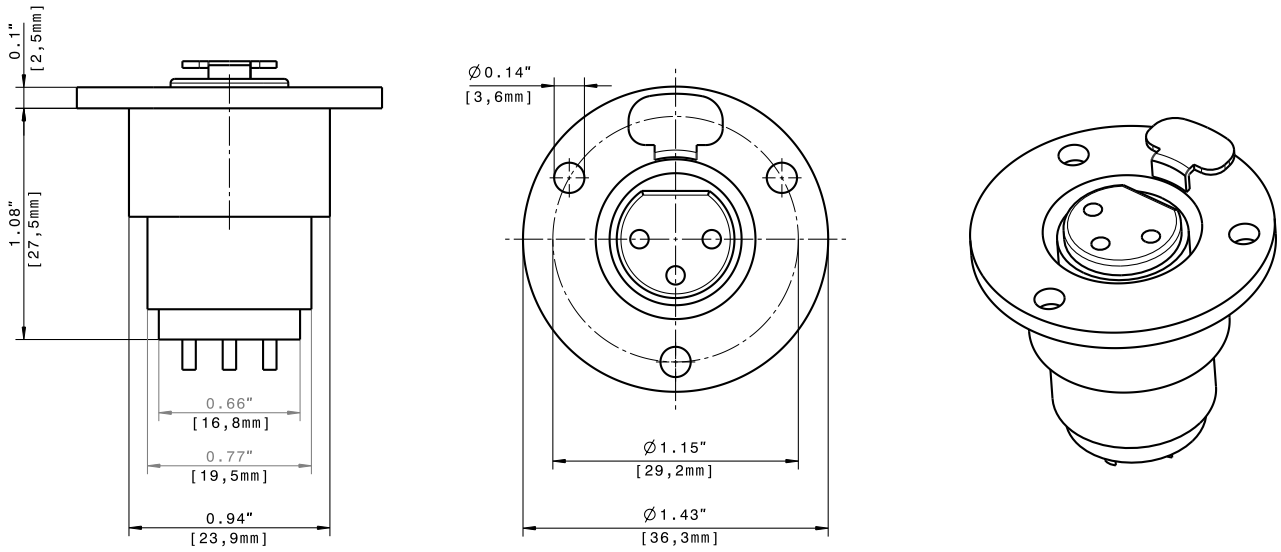
For gooseneck mounting a sturdy installation socket shall provide a female XLR-3 connection on the front end. On the back end three soldering lugs shall be provided. The socket shall be unobtrusive in design. The coating of the socket shall be a non reflective black. It shall be Sennheiser MZT 30.

TECHNICAL DATA

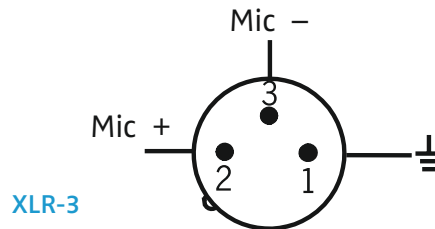
Overall diameter 36mm (1,43")
Overall depth 30mm (1,09")
Depth under flange 27,5mm (1,08")
Required cut-out hole 24mm (0,95")
Color matte black
Delivery MZT 30

MZT 30 installation XLR-3 socket

DIMENSIONS



CONNECTIVITY



PRODUCT VARIANTS

MZT 30, XLR-3 installation socket
MZT 30-L, XLR-5 installation socket

Cat.No. 005085
Cat.No. 009446

RECOMMENDED ACCESSORIES

MZH 3015, 15cm gooseneck
MZH 3040, 40cm gooseneck
MZH 3042, 40cm gooseneck
MZH 3062, 60cm gooseneck
MZH 3072, 70cm gooseneck

Cat.No. 005074
Cat.No. 005076
Cat.No. 009384
Cat.No. 500652
Cat.No. 500653

Sennheiser electronic GmbH & Co. KG
Am Labor 1, 30900 Wedemark, Germany
www.sennheiser.com