



## evolution wireless G4

### SKP 500 G4 | Pro Plug-on Transmitter



Powerful black plug-on transmitter with phantom power, increased bandwidth and transmission power for evolution wireless G4 500P Series systems. For professional film productions.

#### FEATURES

- Professional sound and excellent construction quality
- Easy to use and fast setup time
- Easy and flexible wireless synchronisation between transmitter and receiver via infrared
- With 48 V phantom powering
- Up to 88 MHz bandwidth, up to 32 channels
- Range: up to 100 meters / 330 feet
- Increased RF output power (10/30/50 mW)
- Up to 8 hours of operation time

#### DELIVERY INCLUDES

- SKP 500 G4 pro plug-on transmitter
- 2 AA batteries
- POP 1 pouch with belt clip
- quick guide
- safety guide
- manufacturer declaration sheet

#### ACCESSORIES

**BA 2015** rechargeable battery Art. no. 009950

#### PRODUCT VARIANTS

##### Made in Germany

<b>SKP 500 G4-K+</b>	925 - 937.5 MHz	Art. no. 507814
<b>SKP 500 G4-GBw</b>	606 - 678 MHz	Art. no. 507815
<b>SKP 500 G4-Gw</b>	558 - 626 MHz	Art. no. 507816
<b>SKP 500 G4-Bw</b>	626 - 698 MHz	Art. no. 507817
<b>SKP 500 G4-Cw</b>	718 - 790 MHz	Art. no. 507818
<b>SKP 500 G4-Dw</b>	790 - 865 MHz	Art. no. 507819
<b>SKP 500 G4-Aw+</b>	470 - 558 MHz	Art. no. 508418

##### Assembled in USA

<b>SKP 500 G4-AS</b>	520 - 558 MHz	Art. no. 508153
<b>SKP 500 G4-JB</b>	806 - 810 MHz	Art. no. 508154
<b>SKP 500 G4-Gw</b>	558 - 626 MHz	Art. no. 508155
<b>SKP 500 G4-Bw</b>	626 - 698 MHz	Art. no. 508156
<b>SKP 500 G4-Cw</b>	718 - 790 MHz	Art. no. 508157
<b>SKP 500 G4-Dw</b>	790 - 865 MHz	Art. no. 508158
<b>SKP 500 G4-Aw+</b>	470 - 558 MHz	Art. no. 508439
<b>SKP 500 G4-Gw1</b>	558 - 608 MHz	Art. no. 508460



# evolution wireless G4

## SKP 500 G4 | Pro Plug-on Transmitter

### SPECIFICATIONS

RF characteristics	
Modulation	Wideband FM
Frequency ranges	Aw+: 470 - 558 MHz AS: 520 - 558 MHz Gw1: 558 - 608 MHz Gw: 558 - 626 MHz GBw: 606 - 678 MHz Bw: 526 - 698 MHz Dw: 790 - 865 MHz JB: 806 - 810 MHz K+: 925 - 937.5 MHz
Transmission frequencies	Max. 3520 frequencies, adjustable in 25 kHz steps  20 frequency banks, each with up to 32 factory-pre-set channels, no intermodulation  6 frequency banks with up to 32 programmable channels
Switching bandwidth	up to 88 MHz
Nominal/peak deviation	$\pm 24$ kHz / $\pm 48$ kHz
Frequency stability	$\leq \pm 15$ ppm
RF output power at 50 $\Omega$	switchable: Low: typ. 10 mW Standard: typ. 30 mW High: typ. 50 mW
Pilot tone squelch	Can be switched off

AF characteristics	
Compander system	Sennheiser HDX
AF frequency response	80 - 18,000 Hz
Signal-to-noise ratio (1 mV, peak deviation)	$\geq 120$ dBA
Total harmonic distortion (THD)	$\leq 0.9$ %
Max. input voltage	6 V <sub>eff</sub>
Input impedance	68 k $\Omega$ , unbalanced
Input capacitance	Switchable
Setting range for input sensitivity	48 dB, adjustable in 6 dB steps

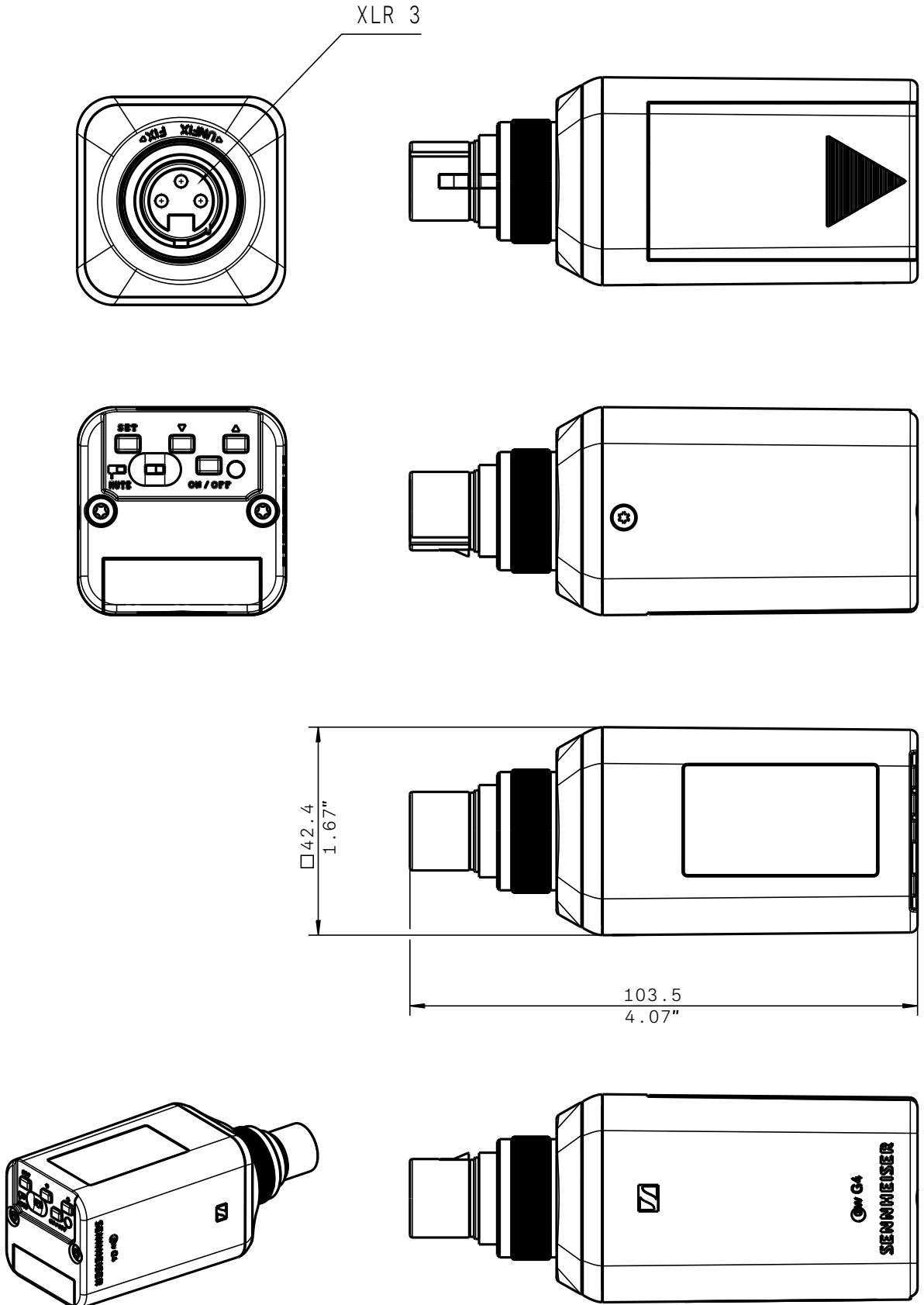
Overall device	
Temperature range	-10 °C to +55 °C
Power supply	2 AA batteries, 1.5 V or BA 2015 accupack
Nominal voltage	3 V battery / 2.4 V rechargeable battery
Current consumption	at nominal voltage: typ. 210 mA with transmitter switched off: $\leq 25$ $\mu$ A
Operating time	Typically 8 h
Dimensions	Approx. 105 x 43 x 43 mm
Weight (incl. batteries)	approx. 195 g



# evolution wireless G4

## SKP 500 G4 | Pro Plug-on Transmitter

### DIMENSIONS





# evolution wireless G4

## SKP 500 G4 | Pro Plug-on Transmitter

### ARCHITECT'S SPECIFICATION

The plug-on transmitter shall be for use to turn XLR-equipped microphones into wireless ones as part of a wireless RF transmission system.

The plug-on transmitter shall operate within ten UHF frequency ranges, with a switching bandwidth of up to 88 MHz: 470 – 558 MHz, 520 – 558 MHz, 558 – 608 MHz, 558 – 626 MHz, 606 – 678 MHz, 626 – 698 MHz, 718 – 790 MHz, 790 – 865 MHz, 806 – 810 MHz, 925 – 937.5 MHz; receiving frequencies shall be 3520 per range and shall be tunable in 25 kHz steps. The plug-on transmitter shall feature 20 fixed frequency banks with up to 32 compatible frequency presets and 6 user banks with up to 32 user programmable frequencies.

The plug-on transmitter shall be menu-driven with a backlit LC display showing the current frequency, frequency bank and channel number, metering of AF level, lock status, pilot tone evaluation, muting function, and battery status. An auto-lock feature shall be provided to prevent settings from being accidentally altered.

Some plug-on transmitter parameters such as receiving frequency, plug-on transmitter name and pilot tone setting shall be synchronizable with the associated plug-on transmitter via an integrated infrared interface.

The plug-on transmitter shall be equipped with a mute switch, which shall be switchable between “AF on/off”, “RF on/off” and “Disabled” via the user interface. The plug-on transmitter shall feature an Audio-XLR-3F connector.

Via the “PhantomPower 48V” menu item, the 48 V phantom powering for condenser microphones shall be switchable between “Active” and “Inactive”.

Nominal/peak deviation shall be  $\pm 24$  kHz/ $\pm 48$  kHz. Frequency stability shall be  $\leq \pm 15$  ppm. RF output power at 50  $\Omega$  shall be switchable between 10 mW (typical, low) and 30 mW (typical, standard) and 50 mW (typical, high).

The plug-on transmitter shall incorporate the Sennheiser HDX compander system and a defeatable pilot tone squelch. Audio frequency response shall range from 80 – 18,000 Hz. Signal-to-noise ratio at 1 mV and peak deviation shall be  $\geq 120$  dBA. Total harmonic distortion (THD) shall be  $\leq 0.9$  %.

The plug-on transmitters max. input voltage shall be 6 Veff; the unbalanced input impedance shall be 6 k $\Omega$ ; the input capacitance shall be switchable. The input sensitivity shall be adjustable within a 48 dB range in steps of 6 dB.

Power shall be supplied to the plug-on transmitter by two 1.5V AA size batteries or by one Sennheiser BA 2015 rechargeable accupack. Nominal voltage shall be 2.4 V, current consumption shall be typical 210 mA at nominal voltage;  $\leq 25$   $\mu$ A when plug-on transmitter is switched off. Operating time shall be typical 8 hours. The plug-on transmitter shall have a rugged metal housing; dimensions shall be approximately 105 x 43 x 43 mm (4.13" x 1.69" x 1.69"). Weight including the batteries shall be approximately 195 grams (0.43 lbs). Operating temperature shall range from  $-10$  °C to  $+55$  °C ( $+14$  °F to  $+131$  °F).

The plug-on transmitter shall be the Sennheiser SKP 500 G4.