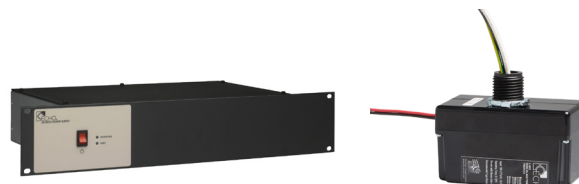


ETC® Unison Echo® EchoConnect™ Station Power Supply



CE 100V 120V 230/240V 277V

Echo Control Series



GENERAL INFORMATION

A member of ETC's Unison Echo family of lighting-control and power-control products, the Echo Station Power Supply provides EchoConnect power for stations, Responsive Controls and Power Controllers. The Echo Station Power Supplies are designed for use with distributed Echo Control Systems, Unison® DRd Power Enclosures with Echo control, Echo Relay Panels and Sensor3 Power Control Systems.

APPLICATIONS

- Houses of worship
- Education
- Hospitality
- Healthcare facilities
- Office buildings
- Conference rooms
- Meeting rooms
- Retail

FEATURES

- Designed for use with any EchoConnect-enabled station, Responsive Controls or Echo Power Controllers
- EchoConnect: Two-wire, topology-free system gives you the freedom to put stations where you need them
- Multiple form factors and mounting options available
- Plug and play: ready to go out of the box with no software or programming required

SYSTEM LIMITATIONS

- Up to 500 meters (1640 feet) of control wiring
- DRd, Wall- and Rack-Mount:
 - Up to 16 stations and Responsive Controls
 - Up to 16 power controllers or panels
- Echo Station Power Supply
 - Up to six stations and Responsive Controls
 - Up to six power controllers or panels

GENERAL

- UL and cUL LISTED
- CE marked

ORDERING INFORMATION

EchoConnect Power Supplies

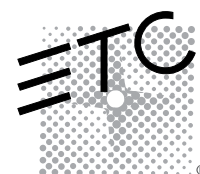
MODEL	DESCRIPTION
E-SPS	Echo Station Power Supply, Knockout Mount
E-SPM-WM	Wall-Mount Station Power Module
E-SPM-RM	Rack-Mount Station Power Module
E-SPM	DRd Station Power Module
E-SPM-WM-A	Wall-Mount Station Power Module with 24V Aux
E-SPM-RM-A	Rack-Mount Station Power Module with 24V Aux
E-SPM-A	DRd Station Power Module with 24V Aux
E-APS	24V Aux Power Supply, Knockout Mount

EchoConnect Power Supply Accessories

MODEL	DESCRIPTION
E-C5T-ST	Category-5 Station Wiring Kit
E-C5T-WM	Category-5 Wiring Termination Box
E-C5T-RM	Category-5 Wiring Termination Tray

Compatible Stations and Sensors

MODEL	DESCRIPTION
E100X	Inspire® Button Stations
E1104	Inspire Fader Station
ELS	Light Sensor
EOCC	Occupancy/Vacancy Sensor
EPS05/ EPS10	Preset Stations
E-ATC	Echo TimeClock



ORDERING INFORMATION

Compatible Interfaces

MODEL	DESCRIPTION
EACC	EchoAccess™ Interface
EDMXC	Echo DMX Scene Controller

Compatible Power Controls

MODEL	DESCRIPTION
ERC	One-Zone Relay Controller
EDRC	Two-Zone Relay Controller
ELD	One-Zone 0-10V Dimming Controller
EDLD	Two-Zone 0-10V Dimming Controller
ESSC	One-Zone SmartSpace Controller
EDSSC	Two-Zone SmartSpace Controller
ELVD	600-Watt Phase Adaptive Dimmer
ERP/ERP-FT	Echo Relay Panel/Echo Relay Panel Feedthrough
DRd	Unison DRd with Echo Control
SR3	Sensor3 Power Control System

SPECIFICATIONS

FUNCTIONAL

- Provides EchoConnect power for up to 6 or 16 stations or Responsive Controls and 6 or 16 power controllers or panels
- Supports 500 meters (1640 feet) of control wiring from the DRd enclosure

MECHANICAL

- Echo Station Power Supply
 - Mounts using half-inch conduit knockout
 - Constructed of injection-molded ABS plastic
- DRd, Wall- and Rack-Mount:
 - 18-gauge formed steel construction
 - Fine-texture, scratch-resistant, epoxy paint
 - Convection cooled
 - Fully-contained plug-in module with no discrete wire connections (DRd only)
 - Front panel status indicators
 - Wall-mount and 19-inch rack-mount variants available

ELECTRICAL

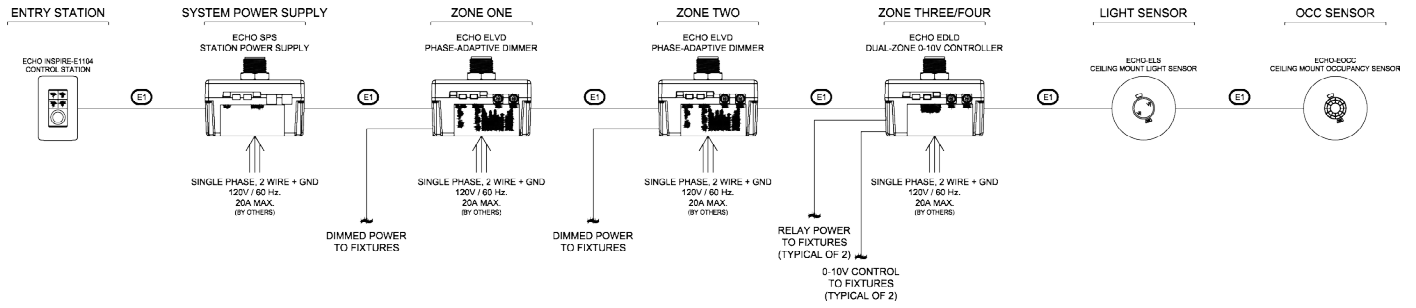
- 100V-277V, 50/60Hz, two-wire+GND power input
- Optional 24V Aux power options for connected devices
- EchoConnect two-wire control network utilizing low-voltage Class 2 wiring
- Topology-free and polarity-independent wiring over Belden 8471 or equivalent and one #14 ESD drain wire
- Wiring may be bus, loop, homerun or any combination of these
- Up to 500 meters (1,640 feet) of control wiring per system
- Supports optional Cat5 or better wiring using Belden 1583A or equivalent
 - Requires optional Cat5 termination accessories
- UL and cUL LISTED
- CE marked

THERMAL

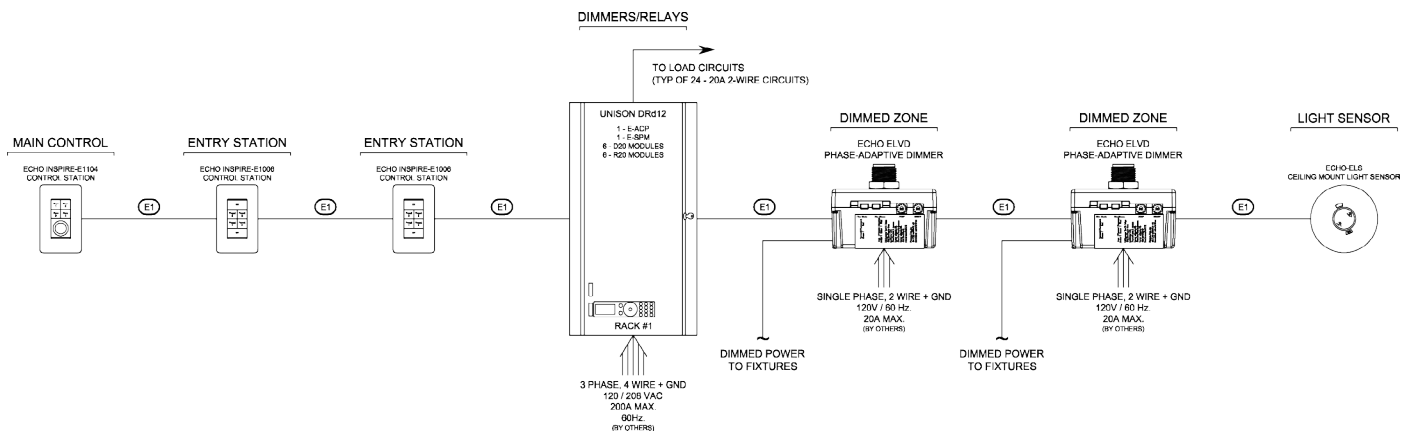
- Echo Station Power Supply:
 - Ambient room temperature: 0-50°C / 32-122°F
 - Ambient humidity: 5-95% non-condensing
- DRd, Wall- and Rack-Mount
 - Ambient room temperature: 0-40°C / 32-104°F
 - Ambient humidity: 10-90% non-condensing

SAMPLE ECHO SYSTEMS

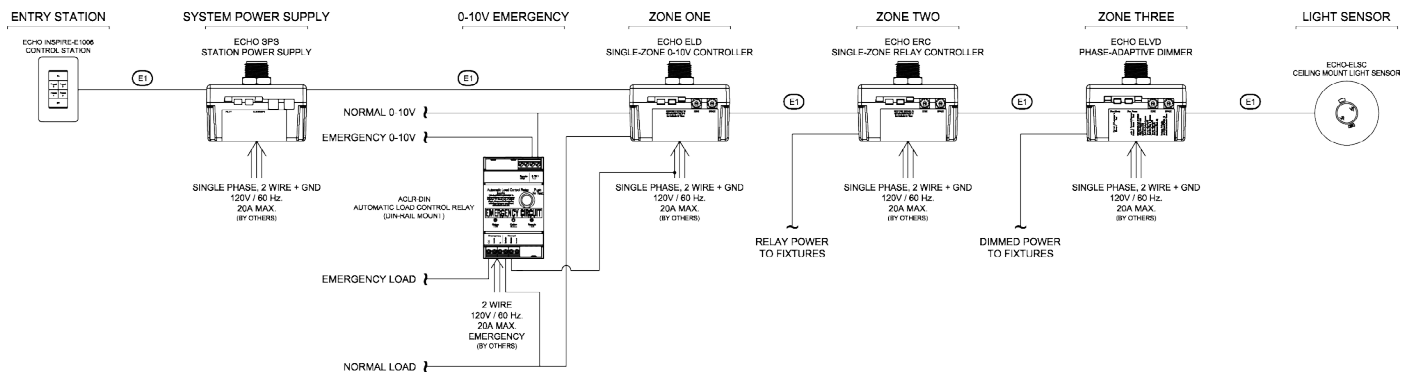
SMALL SYSTEM



MEDIUM SYSTEM

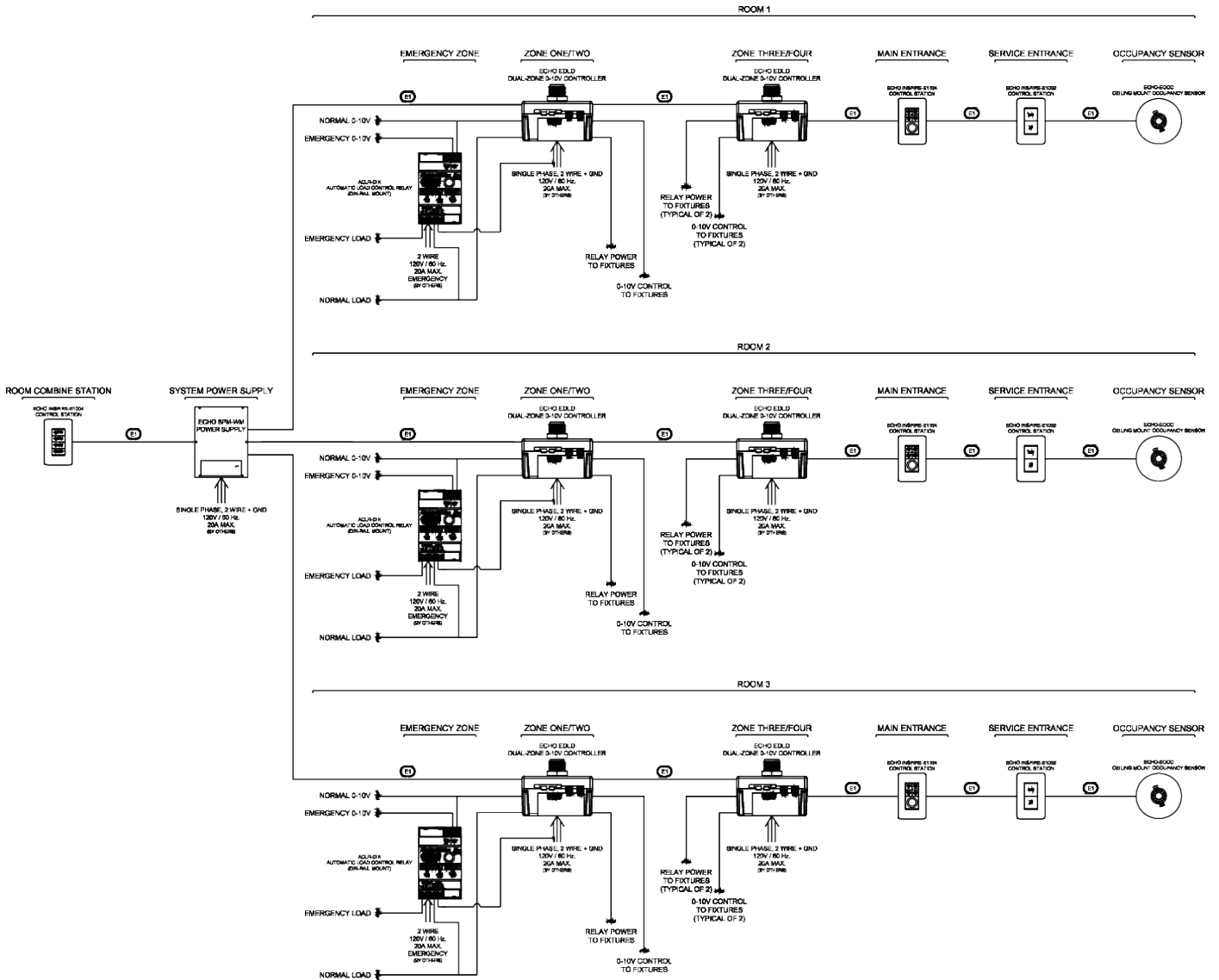


CONFERENCE ROOM



SAMPLE ECHO SYSTEMS

MEDIUM BALLROOM



PHYSICAL

Module Dimensions*

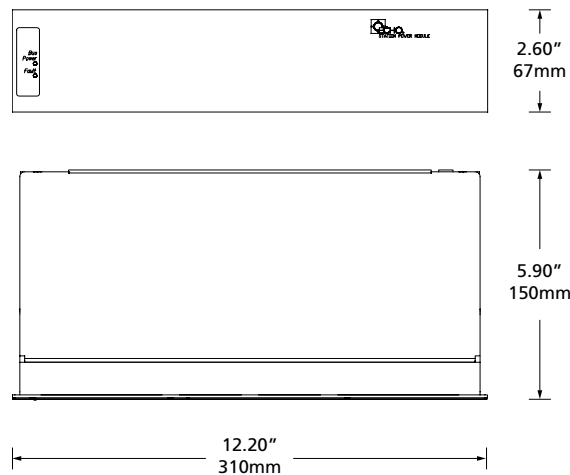
MODEL	HEIGHT		WIDTH		DEPTH	
	inches	mm	inches	mm	inches	mm
E-SPM(-A)	2.6	67	12.2	310	5.9	150
E-SPM-WM(-A)	14	356	10.5	267	3.06	79
E-SPM-RM(-A)	3.46	88	19	483	10.04	255
E-SPS(-A)	1.97	51	35	89	2.19	56

Module Weights*

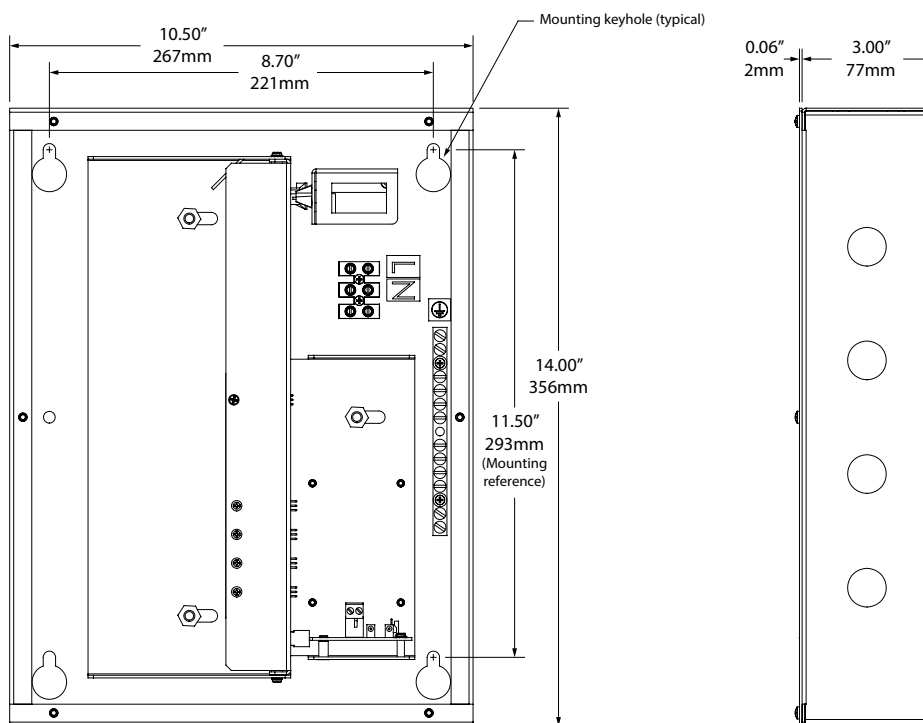
MODEL	WEIGHT		SHIPPING WEIGHT	
	lbs	kgs	lbs	kgs
E-SPM(-A)	4.8	2.18	5.8	2.63
E-SPM-WM(-A)	14.7	6.67	15.7	7.12
E-SPM-RM(-A)	15	6.80	16	7.26
E-SPS(-A)	1	0.45	1.5	0.68

*Weights and dimensions typical

E-SPM(-A)



E-SPM-WM(-A)

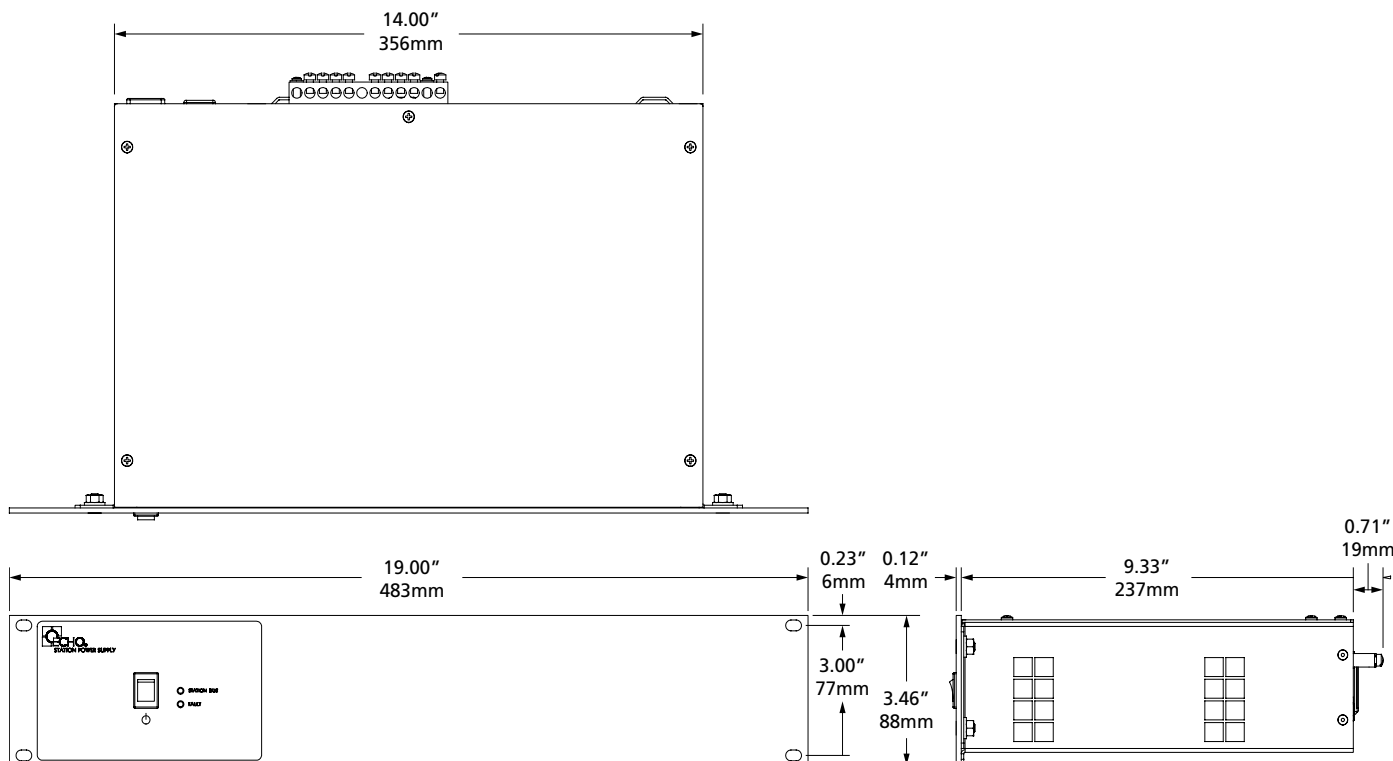


ETC Unison Echo™ EchoConnect Station Power Supply

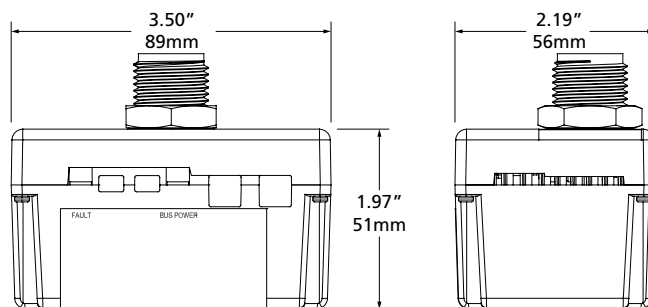
Echo Control Series

PHYSICAL

E-SPM-RM



E-SPS / E-APS



Corporate Headquarters • 3031 Pleasant View Rd, PO Box 620979, Middleton WI 53562 0979 USA • Tel +1 608 831 4116 • Fax +1 608 836 1736

London, UK • Unit 26-28, Victoria Industrial Estate, Victoria Road, London W3 6UU, UK • Tel +44 (0)20 8896 1000 • Fax +44 (0)20 8896 2000

Rome, IT • Via Ennio Quirino Visconti, 11, 00193 Rome, Italy • Tel +39 (06) 32 111 683 • Fax +44 (0) 20 8752 8486

Holzkirchen, DE • Ohmstrasse 3, 83607 Holzkirchen, Germany • Tel +49 (80 24) 47 00-0 • Fax +49 (80 24) 47 00-3 00

Hong Kong • Room 1801, 18/F, Tower 1 Phase 1, Enterprise Square, 9 Sheung Yuet Road, Kowloon Bay, Kowloon, Hong Kong • Tel +852 2799 1220 • Fax +852 2799 9325

Web • www.etconnect.com • Copyright©2016 ETC. All Rights Reserved. All product information and specifications subject to change. 7186L1008 Rev. G Printed in USA 02/16