

**CARVIN**  
audio



**TRx** SERIES TRx5118A ACTIVE SUBWOOFER

### FEATURES

- » High output TX18-8 transducer provides deep bass projection
- » 136dB SPL
- » Bass reflex tuned ported design
- » Frequency response 35Hz to 150Hz
- » Ethernet™ ALL DSP™ network
- » 2000W - two 1000W CLASS D amplifiers bridged
- » Ground stack with TRx5210AN line array elements
- » Quick release pins for ground stacking and transport dolly
- » IP45 Weather Rating

### TRX5118A SUBWOOFER

The active TRx5118A effortlessly provides deep, smooth bass with unprecedented depth. The low end is deep and powerful and can be felt with peaks of 136dB SPL. To achieve the extreme levels, the 18-inch T-MAX™ TX18-8 transducer features a long-excursion 4" (100mm) voice coil with a reinforced web edge and spider designed for continuous use. The 35Hz-150Hz frequency range captures all the essence of every bass note while its direct radiating bass reflex design offers greater efficiency while reducing air turbulence at the highest levels. Just select the rear DSP panel control for the desired frequency response and you're ready to go with no further adjustments. When used with the TRx5210AN array, a ratio of 1 sub to 2 elements is a recommended starting point for lots of impressive bass using up to 16 tops and 8 subs.

The ALL DSP™ software manages every note, providing superior subsonic definition. Connectivity is through its Ethernet™ port offering the user access to a host of features including EQ and delay. Settings may be stored for specific venues. The Ethernet™ port can connect to the TRx5210AN array through a router and switch for complete system connectivity. To ensure high SPL, there are 2 bridged 1000W CLASS D amplifiers delivering 2000W, which are 97% efficient while providing extended headroom for distortion-free performances. Two subwoofers per 20A 120VAC circuit are recommended. 2 audio XLR connectors (female/male) provides signal INPUT and THRU to send audio to additional subwoofers.

The tour-grade built enclosure features premium multi-ply hardwood to ensure the enclosure's strength while maintaining its lifelong integrity. Quick Release Pins are included to connect the subs together to perform as a dual 18-inch sub and allow for easy transport. The built-in clear vinyl rain fly offers continuous protection for the interface controls and connectors. The heavy powder coated perforated steel grill protects the transducers while the recessed handles offer center balancing. Included is a bar for the TRx5210AN to physically connect the elements to the subs for ground stacking.

Ingress Weather Protection IP45 rating is standard on the TRx5118A subwoofer. The thick DuraTec™ polyurethane outer skin provides UV and moisture protection. The TX18-8 offers a cone with a moisture resistant coating. The grill is treated to prevent water damage and the rear amp panel features a rain hood and watertight AC connections. Optional rain box TRX5118RAINBOX is available, providing complete protection for permanent outdoor installations.



TRX5118A

### TRX5118A SPECIFICATIONS

- » System Type: 18-inch Subwoofer, Tuned Ported Bass Reflex
- » Coverage Pattern: Omni
- » Frequency Response: 35Hz - 150Hz
- » Power: 2000W
- » Maximum SPL: 136dB
- » CLASS D: 97% efficient
- » S/N Ratio: >101dBA
- » Damping Factor: >500
- » Audio: 2 XLR male/female
- » DSP Processing: ALL DSP™
- » Protection: Over voltage, overload, thermal
- » LF: TX18-8 18-Inch Woofer 8Q
- » Cone: FlexAir™ with a high E/MAX travel of 11mm, moisture resistant coated cone
- » Voice Coil: 4-inch (100mm)
- » Transducer Magnet Structure: 21lbs (9.5kg)
- » Enclosure: Premium Multi-Ply Hardwood
- » Weather Rating: IP45
- » Finish: Black DuraTec™
- » Paintable: Yes
- » Grill: Black powder coated 14-ga steel with acoustically transparent foam backing.
- » Transport: 2 Recessed handles
- » Pole Mount: Standard M20 threaded base
- » Rigging Pins: 8mm hardened steel, spring loaded with steel cable
- » Rigging Front Rail Bar: Connects top to bottom
- » Quick Release pins attach 2 subs together or to optional DB521018 steel dolly
- » AC Fuse: 15A
- » Current (Continuous): 10A
- » Current (Peak): 20A
- » Current (Idle): .2A
- » Current (Inrush): 3A
- » AC Mains Input: 110-130V/60Hz
- » Product Weight: 109 lbs. (49.5kg)
- » Shipping Weight: 126 lbs. (57kg)
- » Product Dimensions: 28"W x 26"D x 23"H (71 x 66.5 x 58.5cm)
- » Shipping Dimensions: 33"W x 31"D x 27"H (84 x 79.5 x 67.5cm)

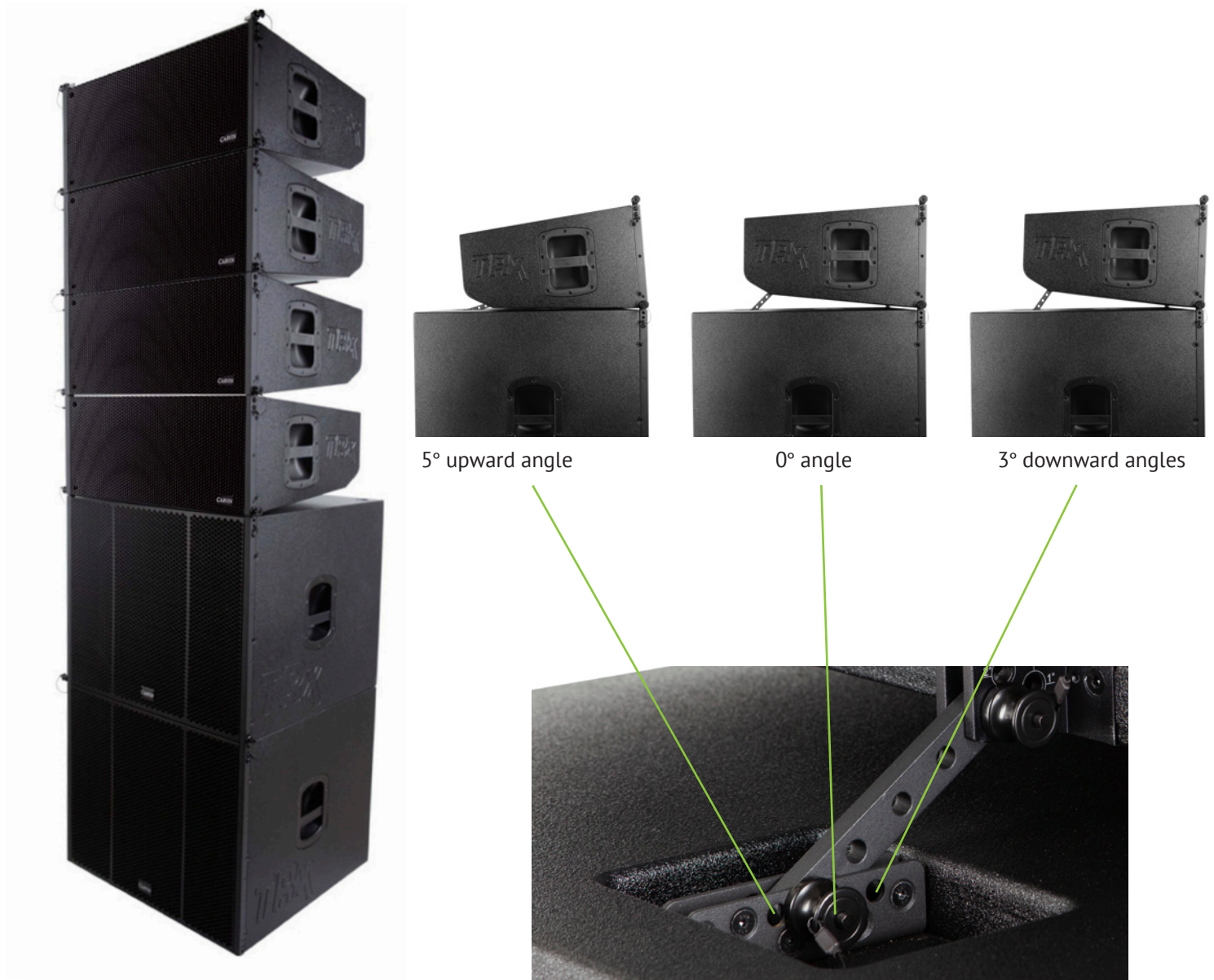
### Warranty

1 Year on electronics and 3 years on drivers and cabinet enclosure. For the full warranty information on the TRx5118A subwoofer please visit <https://carvinaudio.com/pages/warranty>



## Stacking Array

Ground stack up to 4 TRx5210AN line array elements on top of one or two TRx5118A subwoofers. There are three angle options available when ground stacking. Choose from 5° upward, 0°, and 3° downward angles. It is the user's responsibility to secure the TRx5118A subwoofers to the venue floor according to local guidelines and regulations



Ground stack height with 4 TRx5210AN on top of 2 TRx5118A subwoofers is 93"



**POWER SWITCH**

Push the top portion of the power switch to turn the system on. The LCD Display will light indicating the system is powered on.

**SIGNAL LED LADDER**

The SIGNAL LED ladder indicates there is a signal present at the INPUT XLR.

**LIMIT LED**

The LIMIT LED indicates maximum output of the system is being reached. A flashing LIMIT LED is acceptable. The DSP will reduce peaks to prevent amp clipping. If the LIMIT LED is continuously ON, reduce the level going in to the INPUT XLR. As with any system, reduce the volume if distortion is heard.

**PEAK LED**

The PEAK LED indicates once the maximum output of the system has been reached. Reduce the input level accordingly to prevent damage to the amplifier and components.

**DIGITAL DISPLAY**

The bright blue LED DIGITAL DISPLAY will display various information about the system and its settings. When you first turn on the unit, the display will indicate which preset is loaded.

MENU: Press the MENU button to perform the following functions.

1. Enter into preset load mode.
2. View software version information
3. Save preset to new memory location. New presets can only be created in the software and not directly through the rear panel.

**DSP CONFIG** rotary dial: Use this dial to select presets and see system information. This dial becomes active once you press the MENU button. To change a preset: 1. Press the EXIT button. 2. Press the MENU button. 3. Turn the DSP CONFIG rotary dial to the desired preset. 4. Press the dial in. 5. Select YES and press the dial again. 6. Press the EXIT button.

**ETHERNET PORT**

The ETHERNET PORT is for connecting the unit to the software for creating presets and to monitor the input and output levels. See SOFTWARE for more information.

**XLR CONNECTORS**

Connect the INPUT XLR to a signal source such as the output of a mixer. The THRU XLR can be connected to more TRx5118A or other units.

**AC IN CONNECTOR IP65 (POWERX™ RAC3M MALE IN)**

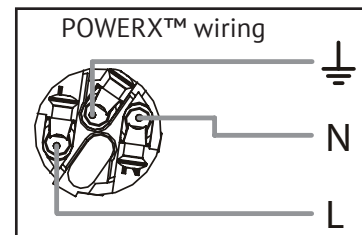
The AC IN water resistant connector accepts the POWERX™ male connector (part# RAC3M). One power cord with the RAC3M connector is supplied. No attempt should ever be made to use the unit without the ground connected. Plug into the proper voltage for your unit.

**AC OUT CONNECTOR IP65 (POWERX™ RCAC3F FEMALE OUT)**

The included POWERX5118JUMP cable allows a maximum of 2 TRx5118A units can be connected to one 20A circuit. The maximum limit on the AC OUT connector is 15A. Other limiting factors include the breaker rating for the AC line you are plugging into, wire type, and (if used) generator capacity.

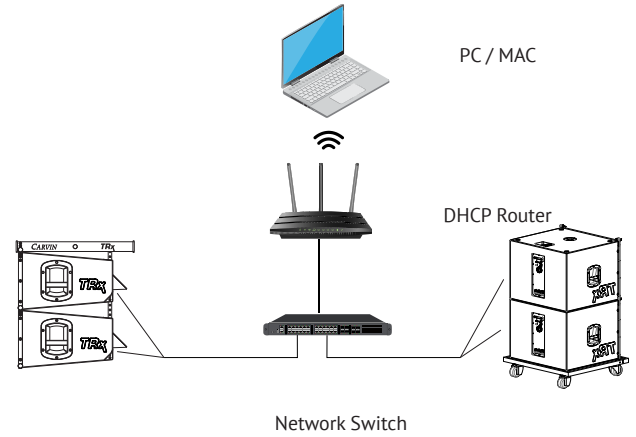
**FUSE**

The FUSE is located to the left of the AC input. To check or replace, first remove the power cord and then unscrew the fuse cap from the fuse holder to access the fuse. The fuse type is a 5mm x 20mm 250V Slow Blow rated at 15A.



## TRx5118A ALL DSP™ Network Connection

In order to connect one or more units to a network using the Ethernet™ connection, you will need to connect each TRx5118A to a network switch and then connect the network switch to a router that is then connected to your computer. It is recommended to use a DHCP router so that it assigns the unit an IP address. When connecting a single box, a network switch is not necessary, rather connect the TRx5118A directly to the DHCP router.



## TRx5118A ALL DSP™ Control Software

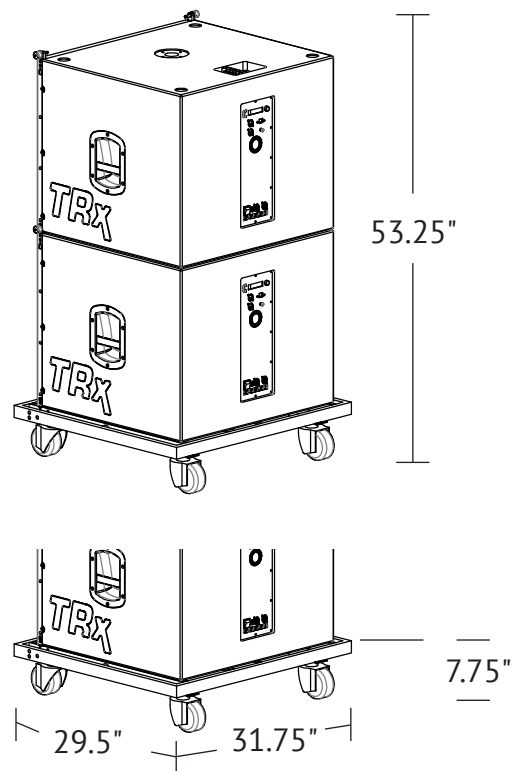
The TRx5118A line array features control software from ALL DSP™. The software allows the user to create and save presets into the line array. The TRx5118A ships with 4 factory tuned presets which include 35-80Hz, 35-100Hz, 35-120Hz and 35-80Hz/180° presets. We highly suggest using the factory presets when first using the TRx5118A line array system. For installations, the installer may want to create a tuning preset in the line array. Additionally, for remote monitoring of signal level, unit power ON/OFF, and MUTE please refer to the separate software user guide found on the TRx5118A product page at [carvinaudio.com](http://carvinaudio.com)

**ACCESS CONTROL:** The TRx5118A ships with USER ACCESS level to the software. This access allows the user to remotely choose a pre installed preset. To access the ADMIN level of control, from the HARDWARE menu at the top of the screen, select PASSWORD and enter **adm1n**. This password will open up the PEQ capability and allow the administrator to assign USER access levels and create and store presets. The USER password is **u5er**. *Please refer to the separate software user guide found on the TRx5118A product page at [carvinaudio.com](http://carvinaudio.com)*

**SOFTWARE DOWNLOAD:** To download the ALL DSP™ control software, visit the TRx5118A product page found at [carvinaudio.com](http://carvinaudio.com)

## DB521018 Transport Dolly Board (optional)

The optional steel DB521018 Transport Dolly allows up to two TRx5118A subwoofers to be conveniently transported in a pre-rigged configuration and is recommended as the most efficient way to truck and handle the cabinets. The transport dolly is designed to connect the subwoofers to the transport frame using the QPTRx quick pin connectors which secures the shipment of your sound system during transport. The DB521018 comes with 5-inch caster wheels. Two wheels come with locks to keep the transport dolly in place.



**CARVIN**  
*audio*

[carvinaudio.com](http://carvinaudio.com)