



# MD 421-II



### Quick Guide

Kurzanleitung  
 Guide de démarrage rapide  
 Guida rapida  
 Instrucciones resumidas  
 Instruções resumidas  
 Beknopte gebruiksaanwijzing  
 Krótka instrukcja obsługi  
 Snabbguide

### Kort vejledning

Παράρτημα οδηγιών  
 Γρήγορος οδηγός  
 Kısa Kılavuz  
 Краткая инструкция  
 快速指南  
 快速使用指南  
 クイックガイド  
 퀵 가이드

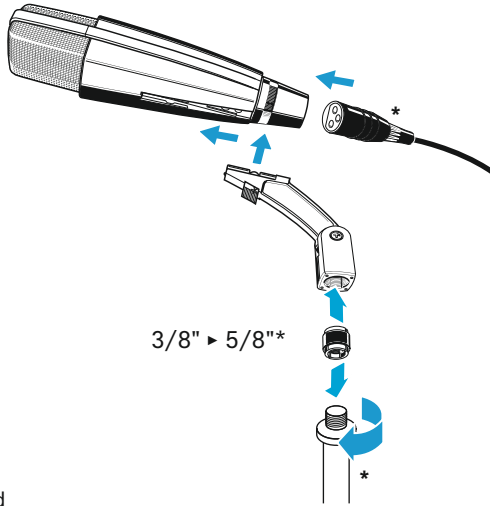
Sennheiser electronic SE & Co. KG

Am Labor 1, 30900 Wedemark, Germany  
www.sennheiser.com

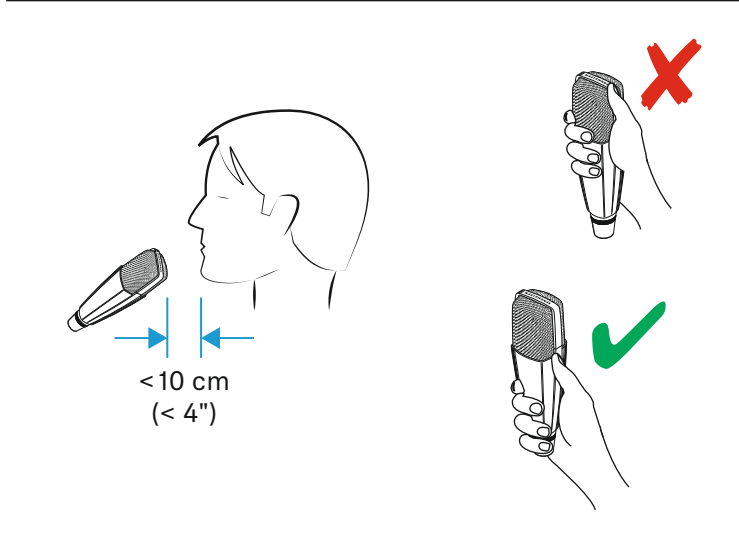
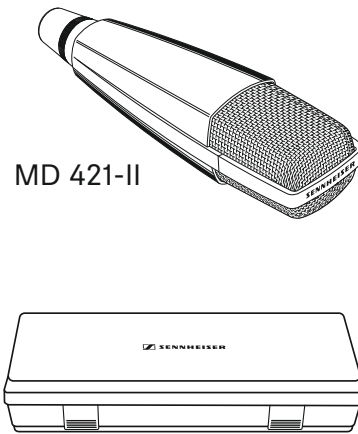
Printed in Germany  
Publ. 07/24, 597221/A02

SENNHEISER

## Setup

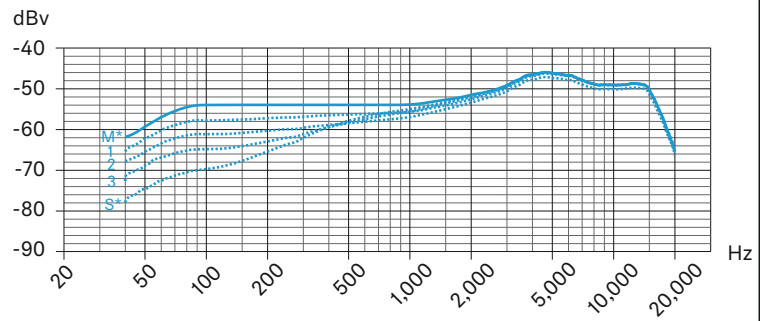
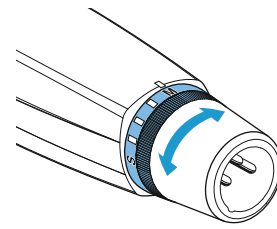


## In the box



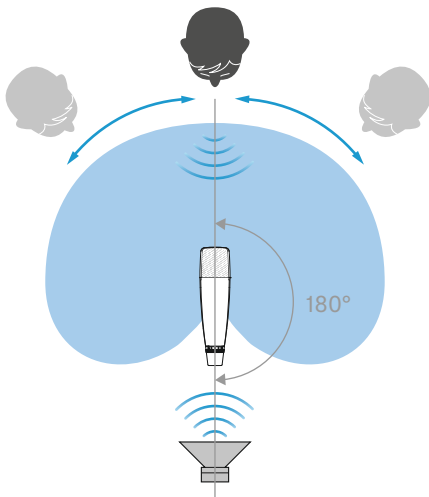
## Setup

### Roll-off filter

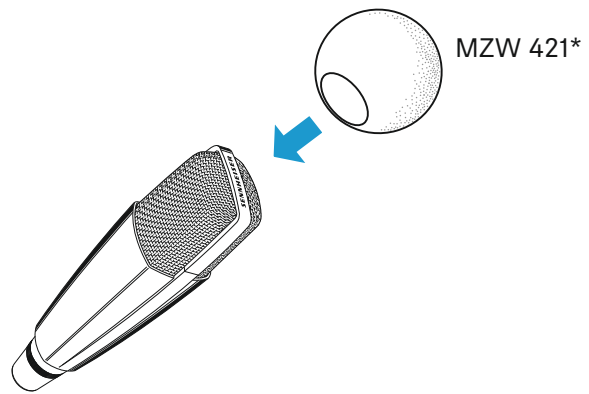


M\* = \_\_\_\_\_  
 1 = - - - - -  
 2 = - - - - -  
 3 = - - - - -  
 S\* = . . . . .

M\* = music S\* = speech

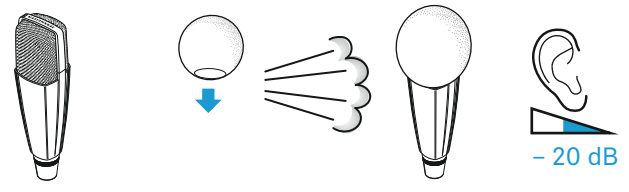


**Accessory**



MD 421-II

MZW 421\*

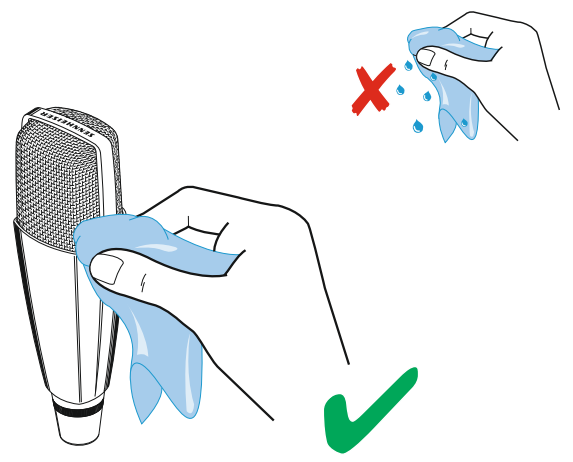


\*not included

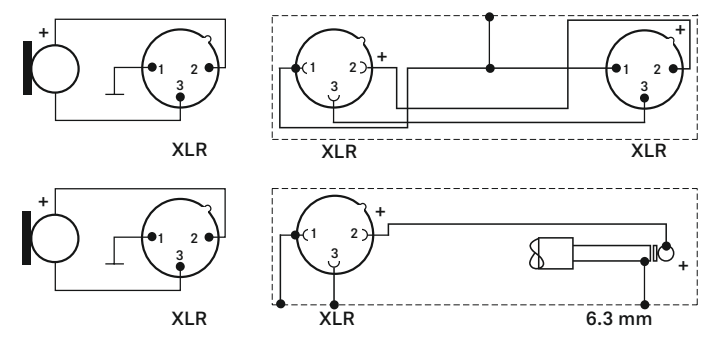
**Specifications**

Transducer principle	Pressure gradient transducer
Frequency response	30 - 17,000 Hz
Pick-up pattern	Cardioid
Sensitivity (free field, at 1 kHz)	2 mV/Pa $\pm$ 2.5 dB
Electrical impedance	250 $\Omega$
Min. terminating impedance	1 k $\Omega$
Connector	XLR-3
Dimensions	215 x 46 x 49 mm
Weight	Approx. 385 g

**Cleaning**



**Connector assignment**



**Polar pattern and frequency response**

