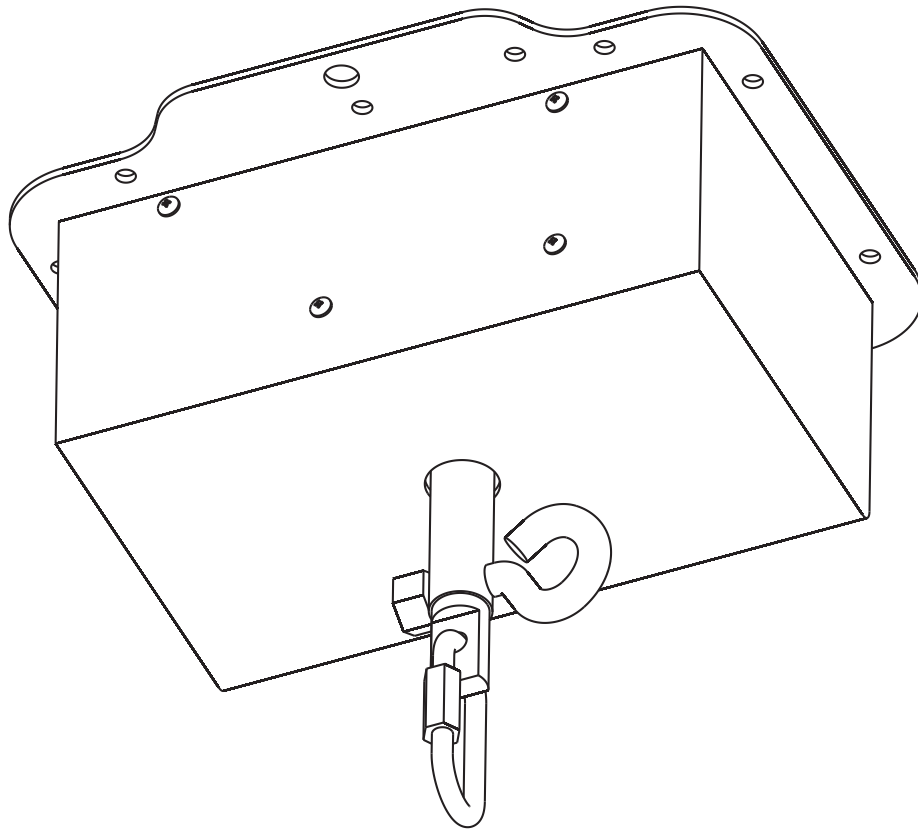


ELIMINATOR[®]

LIGHTING



HD-MB40

User Manual

©2023 **Eliminator Lighting** all rights reserved. Information, specifications, diagrams, images, and instructions herein are subject to change without notice. Eliminator logo and identifying product names and numbers herein are trademarks of Eliminator Lighting. Copyright protection claimed includes all forms and matters of copyrightable materials and information now allowed by statutory or judicial law or hereinafter granted. Product names used in this document may be trademarks or registered trademarks of their respective companies and are hereby acknowledged. All non-Eliminator brands and product names are trademarks or registered trademarks of their respective companies.

Eliminator Lighting and all affiliated companies hereby disclaim any and all liabilities for property, equipment, building, and electrical damages, injuries to any persons, and direct or indirect economic loss associated with the use or reliance of any information contained within this document, and/or as a result of the improper, unsafe, insufficient and negligent assembly, installation, rigging, and operation of this product.

Eliminator Lighting

6122 S. Eastern Ave. Los Angeles, CA. 90040
 323-582-2650 | Fax 323-532-2941 | www.adj.com | info@adj.com

ADJ SUPPLY Europe B.V

Junostraat 2 6468 EW Kerkrade, The Netherlands
 +31 (0)45 546 85 00 | Fax +31 45 546 85 99
www.americandj.eu | info@americandj.eu

ADJ PRODUCTS GROUP Mexico

AV Santa Ana 30 Parque Industrial Lerma, Lerma, Mexico 52000
 +52 (728) 282-7070

DOCUMENT VERSION



Due to additional product features and/or enhancements, an updated version of this document may be available online. Please check www.adj.com for the latest revision/update of this manual before beginning installation and/or programming.

Date	Document Version	Software Version >	DMX Channel Mode	Notes
07/24/23	1.0	N/A	N/A	Initial release

CONTENTS

General Information	4
Limited Warranty (USA Only)	5
Safety Guidelines	6
Overview	7
Installation Guidelines	8
Cleaning and Maintenance Specifications	9

GENERAL INFORMATION

INTRODUCTION

The HD-MB40 is a heavy-duty 1.5 R.P.M. mirror ball motor from Eliminator Lighting that will work with mirror balls up to 39 inches (1m) that weigh up to 89lbs (40 kgs.). Just plug it in and it will start to work immediately. The HD-MB40 is easy-to-use and is intended for indoor use for night clubs and permanent installations or in mobile applications for mobile DJs or bands.

UNPACKING

This device has been thoroughly tested and has been shipped in perfect operating condition. Carefully check the shipping carton for damage that may have occurred during shipping. If the carton appears to be damaged, carefully inspect the unit for damage and be sure all accessories necessary to operate the unit have arrived intact. In the event damage has been found or parts are missing, please contact our customer support team for further instructions. Please do not return this kit to your dealer without first contacting customer support at the number listed below. Please do not discard the shipping carton in the trash. Please recycle whenever possible.

CUSTOMER SUPPORT

Tel: (323) 213-4592 | Fax: (323) 582-2941

www.adj.com | support@eliminatorlighting.com

WARRANTY RETURNS

All returned service items, whether under warranty or not, must be freight pre-paid and accompanied by a return authorization (R.A.) number. The R.A. number must be clearly written on the outside of the return package. A brief description of the problem as well as the R.A. number must also be written down on a piece of paper and included in the shipping container. If the unit is under warranty, you must provide a copy of your proof of purchase invoice. Items returned without an R.A. number clearly marked on the outside of the package will be refused and returned at customer's expense. You may obtain an R.A. number by contacting customer support.

LIMITED WARRANTY (USA ONLY)

- A. Eliminator Lighting, an ADJ Products, LLC brand, hereby warrants, to the original purchaser, Eliminator Lighting products to be free of manufacturing defects in material and workmanship for a prescribed period from the date of purchase (see specific warranty period on reverse). This warranty shall be valid only if the product is purchased within the United States of America, including possessions and territories. It is the owner's responsibility to establish the date and place of purchase by acceptable evidence, at the time service is sought.
- B. For warranty service, you must obtain a Return Authorization number (RA#) before sending back the product—please contact ADJ Products, LLC Service Department at 800-322-6337. Send the product only to the Eliminator Lighting factory. All shipping charges must be pre-paid. If the requested repairs or service (including parts replacement) are within the terms of this warranty, Eliminator Lighting will pay return shipping charges only to a designated point within the United States. If the entire instrument is sent, it must be shipped in its original package. No accessories should be shipped with the product. If any accessories are shipped with the product, Eliminator Lighting shall have no liability whatsoever for loss of or damage to any such accessories, or for the safe return thereof.
- C. This warranty is void if the serial number has been altered or removed; if the product is modified in any manner which Eliminator Lighting concludes, after inspection, affects the reliability of the product, if the product has been repaired or service by anyone other than ADJ Products, LLC factory unless prior written authorization was issued to purchaser by Eliminator Lighting; if the product is damaged because not properly maintained as set forth in the instruction manual.
- D. This is not a service contract, and this warranty does not include maintenance, cleaning or periodic check up. During the period specified above, Eliminator Lighting will replace defective parts at its expense with new or refurbished parts, and will absorb all expenses for warrant service and repair labor by reason of defects in material or workmanship. The sole responsibility of Eliminator Lighting under this warranty shall be limited to the repair of the product, or replacement thereof, including parts, at the sole discretion of Eliminator Lighting. All products covered by this warranty were manufactured after August 15, 2012, and bear identifying marks to that effect.
- E. Eliminator Lighting reserves the right to make changes in design and/or improvements upon its products without any obligation to include these changes in any products theretofore manufactured.
- F. No warranty, whether expressed or implied, is given or made with respect to any accessory supplied with products described above. Except to the extent prohibited by applicable law, all implied warranties made by Eliminator Lighting in connection with this product, including warranties of merchantability or fitness, are limited in duration to the warranty period set forth above. And no warranties, whether expressed or implied, including warranties of merchantability or fitness, shall apply to this product after said period has expired. The consumer's and/or Dealer's sole remedy shall be such repair or replacement as is expressly provided above; and under no circumstances shall Eliminator Lighting be liable for any loss or damage, direct or consequential, arising out of the use of, or inability to use, this product.
- G. This warranty is the only written warranty applicable to Eliminator Lighting products and supersedes all prior warranties and written descriptions of warranty terms and conditions heretofore published.

LIMITED WARRANTY PERIODS

- **All Eliminator Lighting products (except laser diodes) = 1-year (365 days) Limited Warranty** (Such as: Special Effect Lighting, Intelligent Lighting, UV lighting, Strobes, Fog Machines, Bubble Machines, Mirror Balls, Par Cans, Trussing, Lighting Stands etc. excluding LED and lamps)
- **Laser Products = 1 Year (365 Days) Limited Warranty** (excludes laser diodes which have 6 month limited warranty)
- **Batteries = 180 Day Limited Warranty** (excluding batteries which have a 180 day limited warranty)

SAFETY GUIDELINES

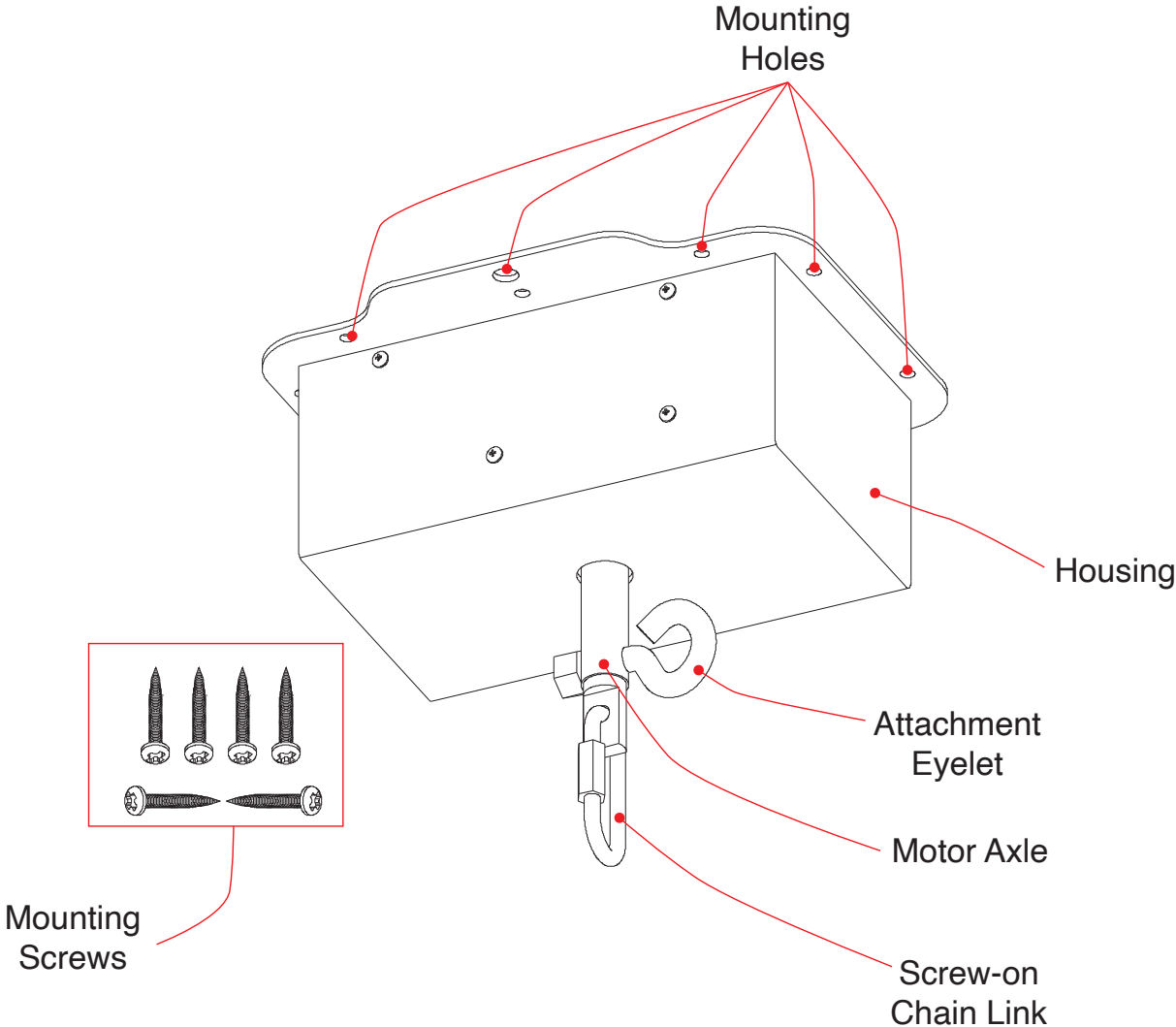
In order to ensure safe operation, it is absolutely necessary for the user to follow the safety instructions and warnings as written in this user manual. ***Important: Damages caused by the disregard of this user manual are not subject to warranty. The dealer will not accept liability for any resulting defects or problems.***

- **CAUTION: Be careful not to accidentally touch the wires during operation, as the operating voltage can produce a dangerous electric shock!**
- This device has been inspected and left our building in perfect condition. In order to maintain this condition and to ensure a safe operation, it is absolutely necessary for the user to follow the safety instructions and warnings written in this user manual.
- If the device has been exposed to drastic temperature fluctuation (e.g. after transportation), do not it on immediately, as the resultant condensation may cause water damage your device. Leave the device switched off until it has reached room temperature.

ELECTRICAL PRECAUTIONS:

- Any electrical connections should only be carried out by a qualified electrician!
- Never let the power-cord come into contact with other cables!
- Handle the power-cord and all connections with the mains with particular caution!
- Make sure that the voltage of the power sources matched the device's required voltage.
- Make sure that the power-cord is never crimped or damaged by sharp edges. Inspect the device and the power-cord regularly.
- Always disconnect the power when the device is not in use, of before performing cleaning or maintenance.
- Keep device away from children!

OVERVIEW



INSTALLATION GUIDELINES

- **THE MAXIMUM WEIGHT THAT THE MIRROR BALL MOTOR CAN HOLD IS 89 LBS.**
- This product was designed for indoor use only.
- Make sure that the area below the installation is clear when rigging, derigging, or servicing the device.
- Please save and use the original packaging for transportation.
- If this mirror ball motor is operated in any manner other than what is described in this manual, product damage may occur and the manufacturer's warranty may be voided.
- Always be aware of dangers like short-circuits, burns, electric shock, crashes etc. during installation and usage.
- Please consider the EN 60598 norms during the installation! The device must be installed in accordance with all local, state, and national safety regulations!
- The installation must only be carried out by a qualified electrician or an authorized dealer!
- The installation point must be capable of supporting at least 5 times the combined weight of the motor device, mirror ball, and any accessories for 1 hour without any causing any deformation of the installation structure.
- The installation must always be secured with a secondary safety attachment, e.g. an appropriate catch net or safety cable. This secondary safety attachment must be attached in such a way that no part of the installation can fall if the main attachment fails, e.g. a safety cable.
- Rigging/installing, derigging, or servicing the device over any elevated working places, the general public, and other dangerous areas is forbidden.
- Always consult an expert or professional installer when installing this device in place for the first time, or after any changes in the installation.
- The installation should be reviewed and approved by an expert at once a year.
- The mirror ball should be installed away from areas where persons may walk by or be seated and out of reach of the general public.
- This device should ONLY be mounted to a horizontal surface, so that the motor shaft points vertically downward. DO NOT mount the device to a vertical or angled surface!
- If the motor is going to be lowered from the ceiling or high joists, professional trussing systems must be used. The motor must never be installed in a way that it can swing freely. Caution: Mirror balls will cause severe injury if they fall. If you have any doubts concerning the safety of the installation, do NOT proceed with the installation and usage of the device!

BEFORE RIGGING MAKE SURE THAT THE INSTALLATION STRUCTURE IS ABLE TO HOLD A MINIMUM OF 400LBS. POINT LOAD.

- Please install the mirror ball motor using all 10 mounting holes.
- Only use the appropriate screws and make sure that the screws are fully fastened to the mounting surface.
- If the unit will be directly connected with the local power supply network, a disconnection switch with a minimum opening of 3 mm at every pole must be included in the permanent electrical installation.
- The mirror ball has to be connected via an appropriate installation with the motor. We recommend using Chain for Mirror balls up to 50 cm certified, or Chain for Mirror ball up to 100 cm certified.
- **Caution: The installation material must never include abrading material (e.g. steel cables) in order to avoid causing excess wear to the mounting hardware.**
- The length of the chain must never exceed 100m.
- Insert the chain with the mirror ball in the screw-on chain link and lighten the fixation screw.
- Make sure that the rotation of the mirror ball is never slowed down or stopped/obstructed.
- Be sure to regularly inspect the key ring or chain links for damage or deformation. If damage or deformation is found, remove the mirror ball installation immediately!

CLEANING AND MAINTENANCE

- Frequent and regular cleaning of the device using a soft, moistened, lint-free cloth is recommended. Never use alcohol or solvents!
- There are no serviceable parts inside the device. Maintenance and service operations are only to be carried out by authorized dealers.
- Should you need any spare parts, please use genuine parts.
- If the power supply cable of this device has been damaged in any way, replacement **MUST** be carried out only by authorized dealers in order to avoid the risk of personal injury or damage to the device.
- Should you have further questions, please contact your dealer.

SPECIFICATIONS

HEAVY DUTY PROFESSIONAL MIRROR BALL MOTOR
INDOOR USE ONLY
FOR USE WITH UP TO 40-INCH (1m) MIRROR BALL
MAX LOAD 89lbs. (40kg)

ROTATION SPEED
1-1.5 RPM (Not Adjustable)

SIZE/WEIGHT
Length: 11.55" (286 mm)
Width: 9.5" (242 mm)
Horizontal Height: 7.5" (191 mm)
Weight: 11.5 lbs. (5.2 kg)

ELECTRICAL / THERMAL
AC 100-120V - 50/60Hz
Maximum Power Consumption: 7W
Ta = 25 Degrees Tb = 30 Degrees

