

LTS 50T AS

User Manual

©2023 ADJ Products, LLC all rights reserved. Information, specifications, diagrams, images, and instructions herein are subject to change without notice. ADJ Products, LLC logo and identifying product names and numbers herein are trademarks of ADJ Products, LLC. Copyright protection claimed includes all forms and matters of copyrightable materials and information now allowed by statutory or judicial law or hereinafter granted. Product names used in this document may be trademarks or registered trademarks of their respective companies and are hereby acknowledged. All non-ADJ Products, LLC brands and product names are trademarks or registered trademarks of their respective companies.

ADJ Products, LLC and all affiliated companies hereby disclaim any and all liabilities for property, equipment, building, and electrical damages, injuries to any persons, and direct or indirect economic loss associated with the use or reliance of any information contained within this document, and/or as a result of the improper, unsafe, insufficient and negligent assembly, installation, rigging, and operation of this product.

ADJ PRODUCTS LLC World Headquarters

6122 S. Eastern Ave. | Los Angeles, CA 90040 USA

Tel: 800-322-6337 | Fax: 323-582-2941 | www.adj.com | lsupport@adj.com

ADJ Supply Europe B.V.

Junostraat 2 | 6468 EW Kerkrade | Netherlands

Tel: +31 45 546 85 00 | Fax: +31 45 546 85 99 | www.adj.eu | service@adj.eu

Europe Energy Saving Notice

Energy Saving Matters (EuP 2009/125/EC)

Saving electric energy is a key to help protecting the environment. Please turn off all electrical products when they are not in use. To avoid power consumption in idle mode, disconnect all electrical equipment from power when not in use. Thank you!

DOCUMENT VERSION



Due to additional product features and/or enhancements, an updated version of this document may be available online.

Please check www.adj.com for the latest revision/update of this manual before beginning installation and/or programming.

Date	Document Version	Software Version	DMX Channels	Notes
07/19/2023	1.0	N/A	N/A	Initial release

CONTENTS

Gen Info	4
Limited Warranty (USA Only)	5
Safety Guidelines	6
Overview	7
Installation Instructions	8
Trouble Shooting Frequently Asked Questions	13
Specifications Optional Accessories	14
Dimensional Drawings	15

GENERAL INFORMATION

INTRODUCTION

Please read and understand the instructions in this manual carefully and thoroughly before attempting to operate this device. These instructions contain important safety and use information.

UNPACKING

The products in this kit have been thoroughly tested and have been shipped in perfect operating condition. Carefully check the shipping carton for damage that may have occurred during shipping. If the carton is damaged, carefully inspect the device for damage, and be sure all accessories necessary to install and operate the device have arrived intact. In the event that damage has been found or parts are missing, please contact our customer support team for further instructions. Please do not return this device to your dealer without first contacting customer support. Please do not discard the shipping carton in the trash. Please recycle whenever possible.

WARRANTY RETURNS

All returned service items, whether under warranty or not, must be freight pre-paid and accompanied by a return authorization (R.A.) number. The R.A. number must be clearly written on the outside of the return package. A brief description of the problem as well as the R.A. number must also be written down on a piece of paper and included in the shipping container. If the unit is under warranty, you must provide a copy of your proof of purchase invoice. Items returned without an R.A. number clearly marked on the outside of the package will be refused and returned at customer's expense. You may obtain an R.A. number by contacting customer support.

CUSTOMER SUPPORT

Contact ADJ Service for any product related service and support needs. Also visit forums.adj.com with questions, comments or suggestions.

ADJ SERVICE USA - Monday - Friday 8:00am to 4:30pm PST
323-582-2650 | Fax: 323-832-2941 | support@adj.com

ADJ SERVICE EUROPE - Monday - Friday 08:30 to 17:00 CET
+31 45 546 85 60 | Fax: +31 45 546 85 96 | support@adj.eu

REPLACEMENT PARTS please visit parts.adj.com

IMPORTANT NOTICE!

THIS UNIT CONTAINS NO USER SERVICEABLE COMPONENTS. DO NOT ATTEMPT ANY REPAIRS YOURSELF, AS DOING SO WILL VOID YOUR MANUFACTURER'S WARRANTY. DAMAGES RESULTING FROM MODIFICATIONS TO THIS DEVICE AND/OR THE DISREGARD OF SAFETY INSTRUCTIONS AND GUIDELINES IN THIS MANUAL VOID THE MANUFACTURER'S WARRANTY AND ARE NOT SUBJECT TO WARRANTY CLAIMS AND/OR REPAIRS.

LIMITED WARRANTY (USA ONLY)

- A. ADJ Products, LLC hereby warrants, to the original purchaser, ADJ Products, LLC products to be free of manufacturing defects in material and workmanship for a prescribed period from the date of purchase (see specific warranty period on reverse). This warranty shall be valid only if the product is purchased within the United States of America, including possessions and territories. It is the owner's responsibility to establish the date and place of purchase by acceptable evidence, at the time service is sought.
- B. For warranty service, you must obtain a Return Authorization number (RA#) before sending back the product-please contact ADJ Products, LLC Service Department at 800-322-6337. Send the product only to the ADJ Products, LLC factory. All shipping charges must be pre-paid. If the requested repairs or service (including parts replacement) are within the terms of this warranty, ADJ Products, LLC will pay return shipping charges only to a designated point within the United States. If the entire instrument is sent, it must be shipped in its original package. No accessories should be shipped with the product. If any accessories are shipped with the product, ADJ Products, LLC shall have no liability whatsoever for loss of or damage to any such accessories, or for the safe return thereof.
- C. This warranty is void if the serial number has been altered or removed; if the product is modified in any manner which ADJ Products, LLC concludes, after inspection, affects the reliability of the product, if the product has been repaired or service by anyone other than ADJ Products, LLC factory unless prior written authorization was issued to purchaser by ADJ Products, LLC; if the product is damaged because not properly maintained as set forth in the instruction manual.
- D. This is not a service contract, and this warranty does not include maintenance, cleaning or periodic check up. During the period specified above, ADJ Products, LLC will replace defective parts at its expense with new or refurbished parts, and will absorb all expenses for warranty service and repair labor by reason of defects in material or workmanship. The sole responsibility of ADJ Products, LLC under this warranty shall be limited to the repair of the product, or replacement thereof, including parts, at the sole discretion of ADJ Products, LLC. All products covered by this warranty were manufactured after August 15, 2012, and bear identifying marks to that effect.
- E. ADJ Products, LLC reserves the right to make changes in design and/or improvements upon its products without any obligation to include these changes in any products theretofore manufactured.
- F. No warranty, whether expressed or implied, is given or made with respect to any accessory supplied with products described above. Except to the extent prohibited by applicable law, all implied warranties made by ADJ Products, LLC in connection with this product, including warranties of merchantability or fitness, are limited in duration to the warranty period set forth above. And no warranties, whether expressed or implied, including warranties of merchantability or fitness, shall apply to this product after said period has expired. The consumer's and/or Dealer's sole remedy shall be such repair or replacement as is expressly provided above; and under no circumstances shall ADJ Products, LLC be liable for any loss or damage, direct or consequential, arising out of the use of, or inability to use, this product.
- G. This warranty is the only written warranty applicable to ADJ Products, LLC Products and supersedes all prior warranties and written descriptions of warranty terms and conditions heretofore published.

LIMITED WARRANTY PERIODS

- **Non L.E.D. Lighting Products = 1-year (365 days) Limited Warranty** (Such as: Special Effect Lighting, Intelligent Lighting, UV lighting, Strobes, Fog Machines, Bubble Machines, Mirror Balls, Par Cans, Trussing, Lighting Stands etc. excluding LED and lamps)
- **Laser Products = 1 Year (365 Days) Limited Warranty** (excludes laser diodes which have 6 month limited warranty)
- **L.E.D. Products = 2-year (730 days) Limited Warranty** (excluding batteries which have a 180 day limited warranty)
Note: 2 Year Warranty only applies to purchases within the United States.
- **StarTec Series = 1 Year Limited Warranty** (excluding batteries which have a 180 day limited warranty)
- **ADJ DMX Controllers = 2 Year (730 Days) Limited Warranty**

SAFETY GUIDELINES

To guarantee a smooth operation, it is important to follow all instructions and guidelines in this manual. ADJ PRODUCTS LLC is not responsible for injury and/or damages resulting from the misuse of these devices due to the disregard of the information printed in this manual. Only qualified and/or certified personnel should perform installation of these devices and only the original rigging parts included with these devices should be used for installation. Any modifications to these devices and/or the included mounting hardware will void the original manufacturer's warranty and increase the risk of damage and/or personal injury.



THERE ARE NO USER SERVICEABLE PARTS INSIDE THESE DEVICES. DO NOT ATTEMPT ANY REPAIRS YOURSELF, AS DOING SO WILL VOID YOUR MANUFACTURER'S WARRANTY. DAMAGES RESULTING FROM MODIFICATIONS TO THIS STAND AND/OR THE DISREGARD OF SAFETY INSTRUCTIONS AND GUIDELINES IN THIS MANUAL VOID THE MANUFACTURER'S WARRANTY AND ARE NOT SUBJECT TO ANY WARRANTY CLAIMS AND/OR REPAIRS.



**NEVER SET UP OR INSTALL STAND ON UNEVEN SURFACE!
NEVER INSTALL OR MOUNT STAND IN UNSTABLE LOCATIONS!
SPREAD THE LEGS UNTIL THE STAYS EXTEND HORIZONTALLY!
NEVER REMOVE THE SAFETY PIN WHEN THE A KNOB IS LOOSE!
BE CAREFUL NOT TO OVEREXTEND THE INNER PIPE!
KEEP FLAMMABLE MATERIALS AWAY FROM THE STAND
MAX LOAD CAPACITY PER STAND IS 100 LBS. (45.4 KGS)**



**INDOOR / DRY LOCATIONS USE ONLY!
DO NOT EXPOSE DEVICES TO RAIN AND/OR MOISTURE!**




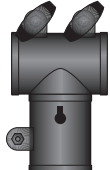


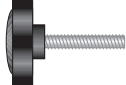

**WHEN USING STAND OUTSIDE UNDER STRONG WIND, TAKE APPROPRIATE MEASURES TO AVOID TIPPING!
TIGHTEN EACH KNOB AND BOLT SECURELY!
AVOID BRUTE FORCE WHEN INSTALLING.
ONLY USE RECOMMENDED RIGGING HARDWARE AS DESCRIBED IN THIS GUIDE.
USE THE ORIGINAL PACKAGING AND MATERIALS TO TRANSPORT FOR SERVICE.**

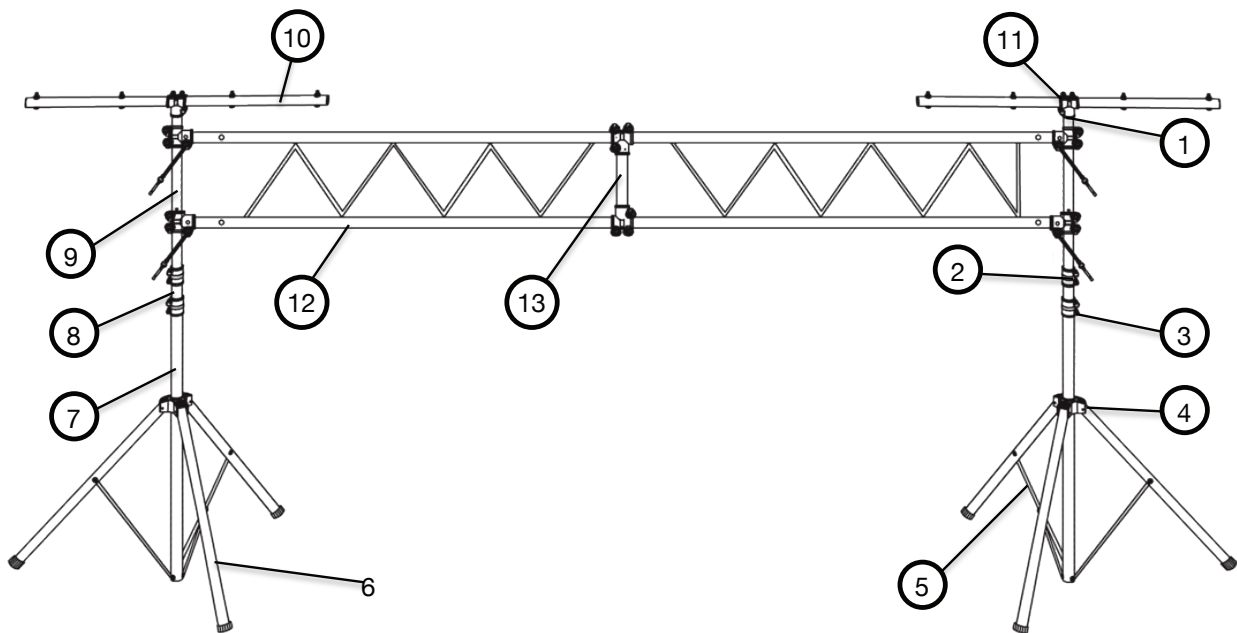


**DO NOT POSITION STAND CLOSE TO ANY FLAMMABLE MATERIALS WHILE OPERATING.
DO NOT ATTEMPT INSTALLATION OF STAND IF YOU LACK THE RELEVANT KNOWLEDGE OR EXPERTISE.**

OVERVIEW

INCLUDED ITEMS

		
(2) LTS Stand	(6) Slide Mount T-Collar	(1) Center "I-Beam" Support Rod
		
(2) I-Beam Connector	(4) Knob for Beam Connector	(2) 5' Truss I-Beam Section



- | | |
|---------------|--------------------------|
| 1. Knob A | 8. Inner Pipe |
| 2. Knob B | 9. Center Post |
| 3. Knob C | 10. T-Bar |
| 4. Knob D | 11. Slide Mount T-Collar |
| 5. Stay | 12. Truss I-Beam Section |
| 6. Leg | 13. I-Beam Support Bar |
| 7. Outer Pipe | |

INSTALLATION INSTRUCTIONS



FLAMMABLE MATERIAL WARNING

Keep stand minimum 5.0 feet (1.5m) away from flammable materials and/or pyrotechnics.



DO NOT INSTALL/HANG DEVICES ON STAND IF YOU ARE NOT QUALIFIED TO DO SO!

AVOID INSTALLING OR MOUNTING THE STAND IN UNSTABLE LOCATIONS, SUCH AS AN UNEVEN SURFACE OR MOVING TABLE. DOING SO MAY CAUSE THE STAND TO TIP OVER AND CAUSE PERSONAL INJURY AND/OR PROPERTY DAMAGE.

WHEN USING THE STAND OUTSIDE UNDER STRONG WIND, TAKE APPROPRIATE MEASURES TO PREVENT THE STAND FROM TIPPING OVER.

TIGHTEN EACH KNOB AND BOLT SECURELY. ENSURE THAT THE BRACKET HAS NO LOOSE KNOBS OR JOINTS AFTER INSTALLATION TO PREVENT ACCIDENTS AND/OR INJURY.

AVOID PLACING THE STAND IN A DOORWAY OR OTHER HIGH TRAFFIC AREAS AS PEOPLE MAY TRIP ON THE EQUIPMENT AND CORDS, OR BE INJURED BY FALLING OBJECTS.

TAKE CARE NOT TO PINCH YOUR FINGERS OR HANDS BETWEEN THE STAND LEGS.

NEVER STAND DIRECTLY BELOW THE DEVICES WHEN MOUNTING, REMOVING OR SERVICING.

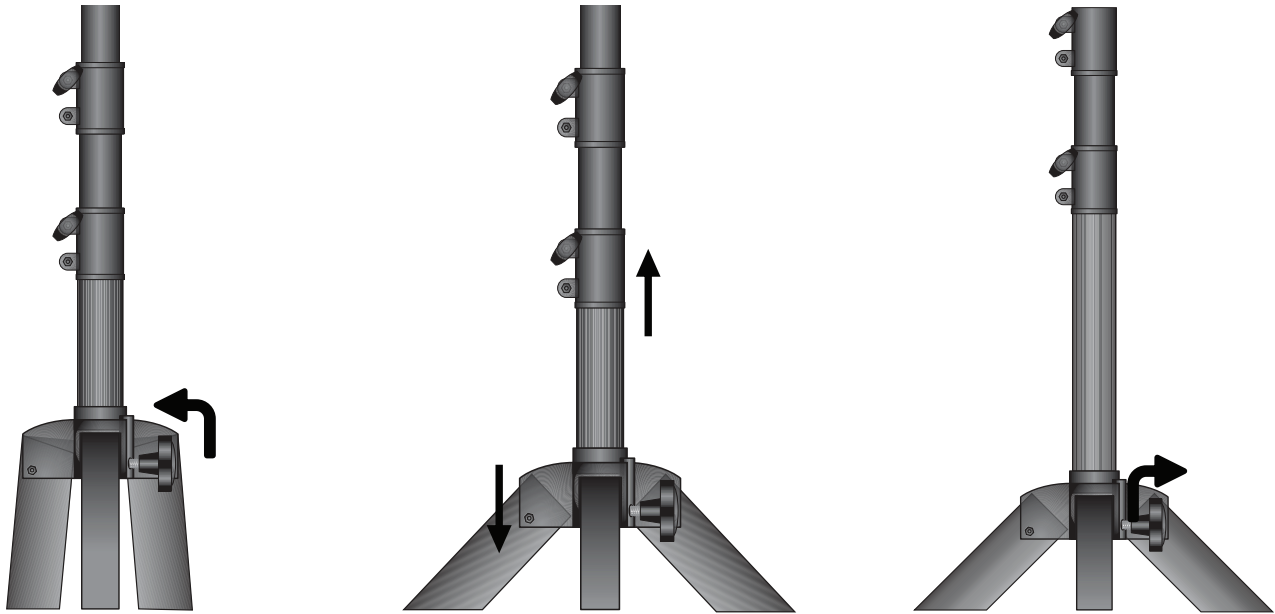
DEVICES MUST ALL BE INSTALLED FOLLOWING ALL LOCAL, NATIONAL, AND COUNTRY COMMERCIAL ELECTRICAL AND CONSTRUCTION CODES AND REGULATIONS.

DO NOT EXCEED WEIGHT CAPACITY OF 100 LBS (45.4 KGS) PER STAND (WHEN EVENLY DISTRIBUTED).

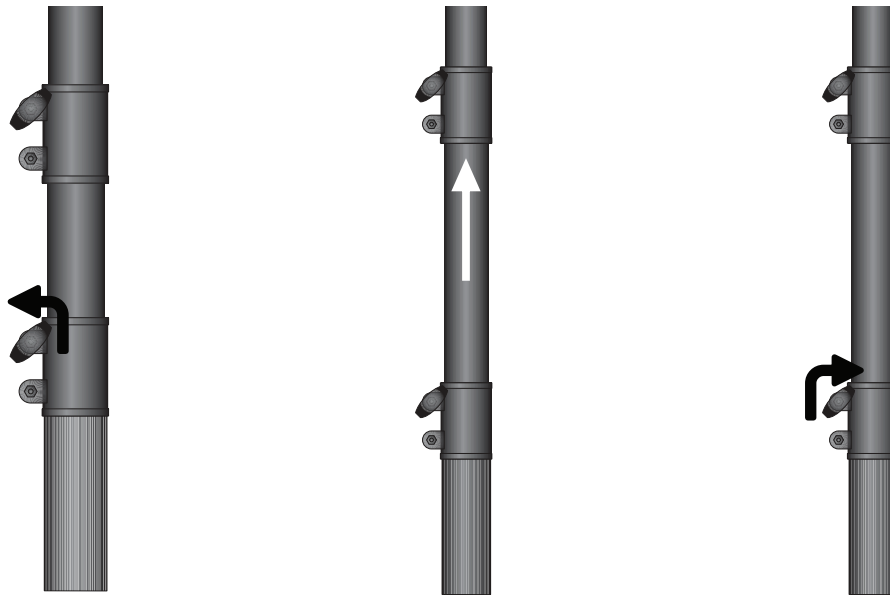
INSTALLATION INSTRUCTIONS

SETUP

Loosen Knob D by turning it counter clockwise. Spread the legs by pulling up on the outer pipe until the stays extend horizontally.



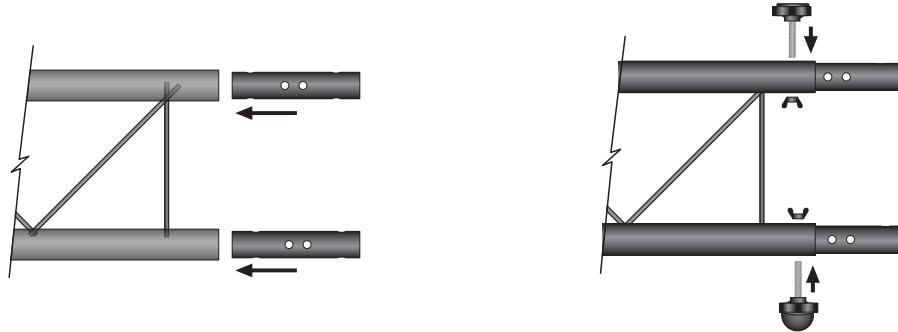
Loosen Knob C by turning it counter clockwise. Extend the inner pipe to the desired height and insert the safety pin through the stopper holes in the inner pipe. Secure and tighten Knob C by turning it clockwise. Repeat this process to set the desired height for the center post as well.



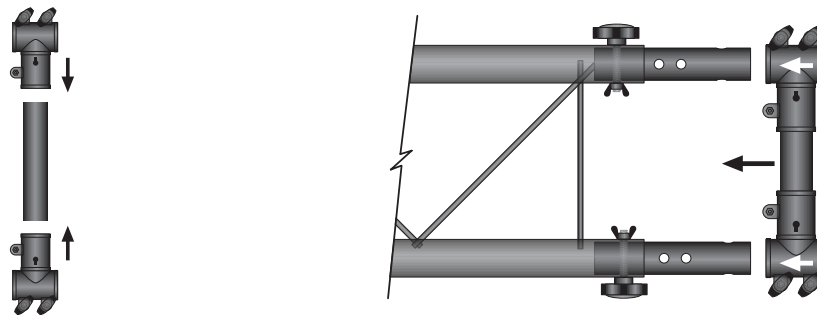
INSTALLATION INSTRUCTIONS

Assembling the Truss I-Beam

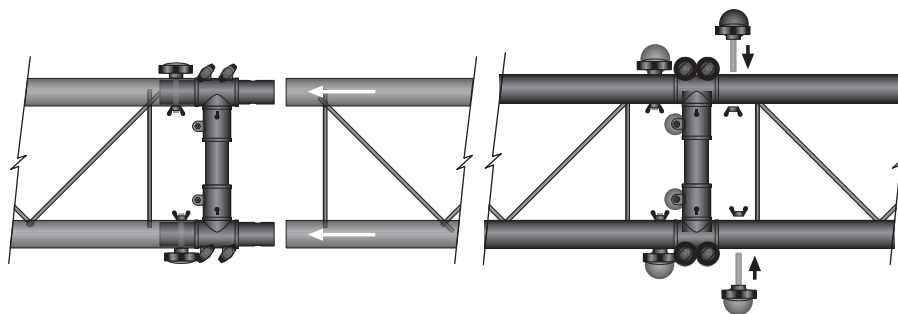
The stand comes with a Truss I-Beam for mounting optional lighting and other equipment. To use the Truss, insert 2 I-beam connectors into one end of the I-Beam Support. Insert the connector knobs through the I-Beam and fasten with the wing nuts.



Assemble the Support Rod by inserting a Slide Mount T-Collar onto each end of the Support Rod. Slide the assembled Support Rod onto the I-Beam connectors.



Assemble the second half of the Truss I-Beam by inserting one end of the second Truss I-Bar onto the I-Beam connectors that were installed in the previous step. Insert the connector knobs through the I-Beam and fasten with the wing nuts.

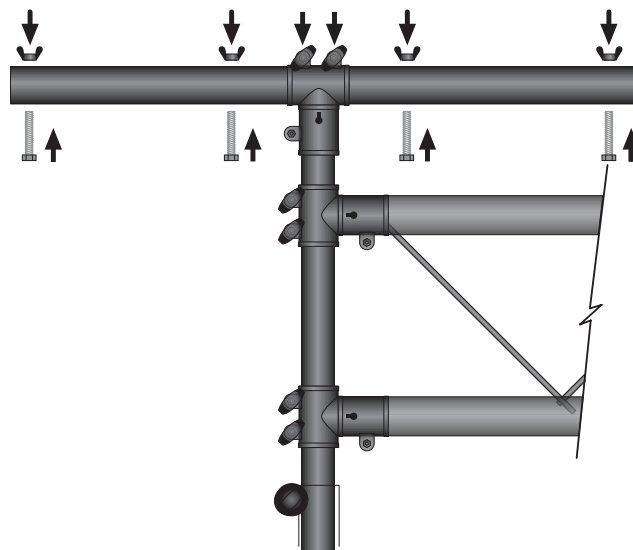
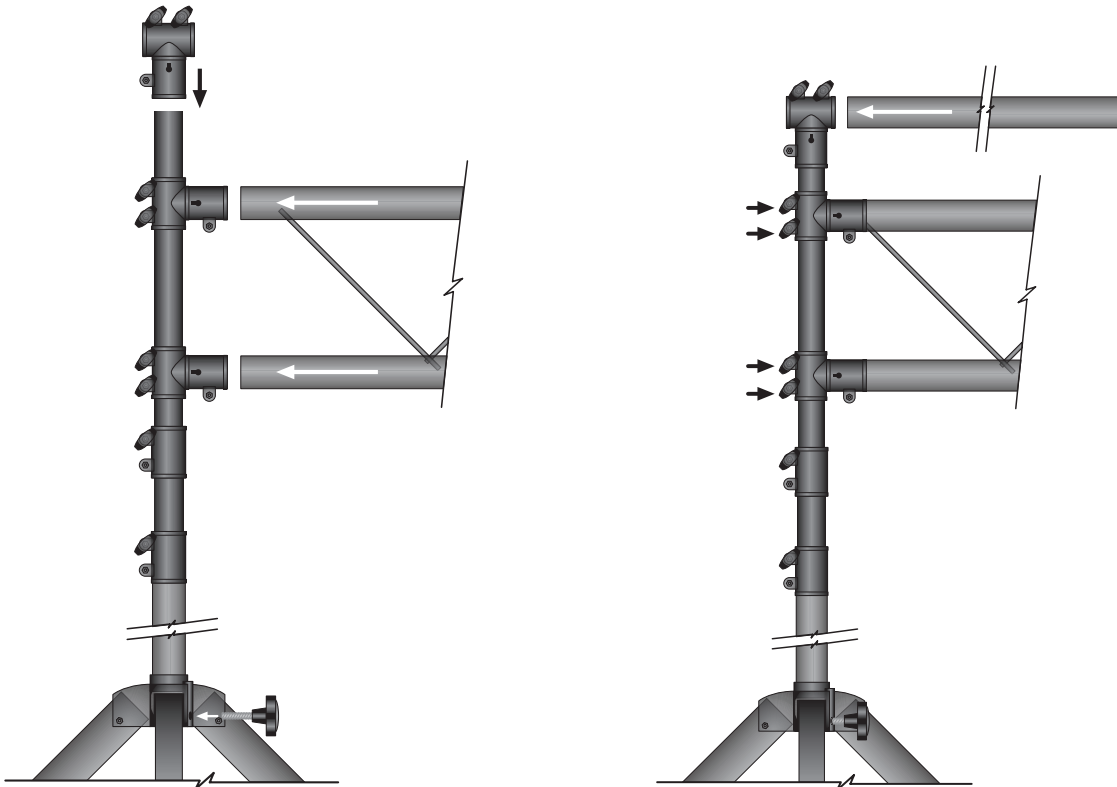


INSTALLATION INSTRUCTIONS

Attaching the Truss I-Beam and T-Bar

Slide two Slide Mount T-Collars onto the center post of each stand. Insert one end of the truss assembly into the Slide Mount T-Collars and place another Slide Mount T-Collar on the very top of each stand's center post.

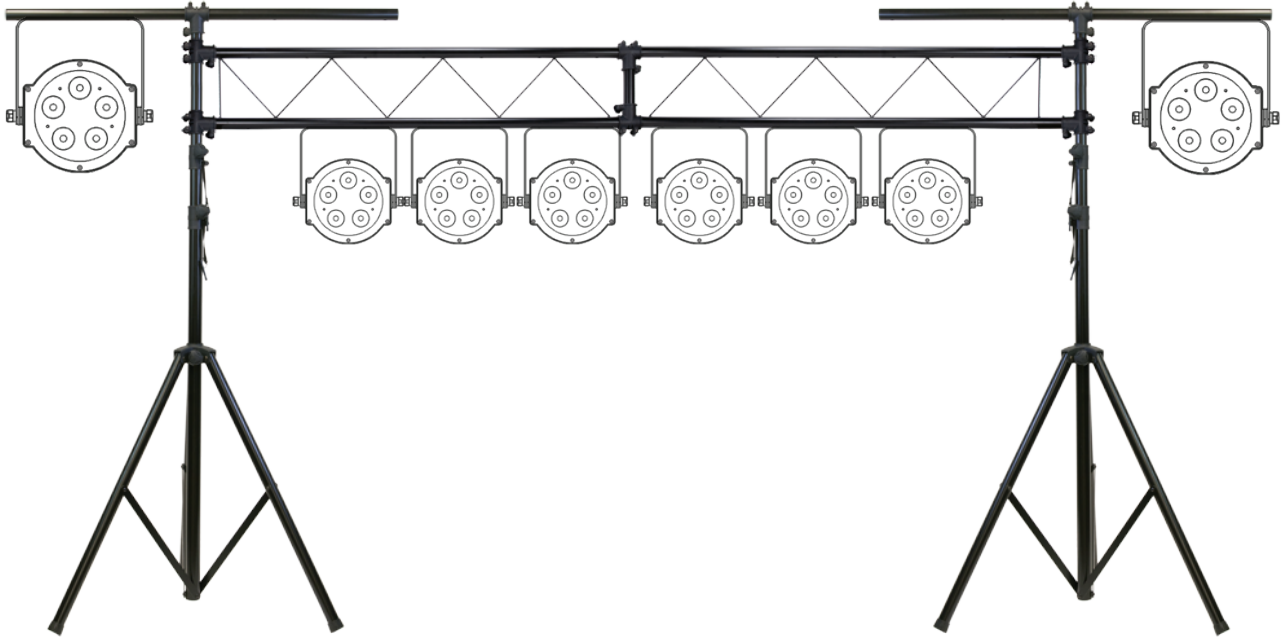
Tighten the small knobs on the Slide Mount T-Collars at each end of the truss. Slide a T-bar into each of the top Slide Mount T-Collars on the center posts and tighten knobs to secure.



INSTALLATION INSTRUCTIONS

MOUNTING OPTIONAL LIGHTING AND OTHER ACCESSORIES

Lighting and other optional accessories may be mounted to the T-Bar as well. For installation instructions, please refer to the mounting instructions provided with the fixtures that are to be installed.



TROUBLE SHOOTING

The stand is unstable.

- Check to ensure that all knobs and hardware are tight and secure.
- Reposition the stand if it is located in an unsuitable location (uneven or unstable surface).
- Additional measures (i.e. sandbags or security cables) may be needed to secure the stand.

FREQUENTLY ASKED QUESTIONS

What are the dimensions of the T-Bar?

The dimensions are .4 x 1.57 x 47.2" (20 x 40 x 1,200 mm).

What is weight capacity of the stand?

Each stand has a weight capacity of 100 lbs. (45.4 kg)

The weight capacity of the system is 200 lbs. (90.7 kg) when evenly distributed.

What is the diameter of the T-Bar?

The T-Bar is 20 x 40 mm with a diagonal of 44.7mm (1.76")

What is the maximum height of the stand?

The minimum extended height is 57.1" (1,450) while the maximum extended height of the stand is 118.1" (3,000 mm.)

Are additional stands, clamps or accessories available?

Yes. A variety of stands and accessories are available at www.adj.com.

SPECIFICATIONS

- 100% portable trussing system
- Easy set up and high stability
- Features 2 Black steel tri-pods which extend up to 9 ft.
- 2 added T-Bars on top to hang more lights.
- Two 5ft. truss I-Beams that fit together to create a 10ft. trussing span
- Ideal for Mobile DJs and bands
- Includes locking pins and hardware
- System Capacity: 200 lbs. (evenly distributed)
- T-Bar Diameter: 1.5-inch
- Truss Diameter: 1 1/2"
- Weight: 45 lbs.

OPTIONAL ACCESSORIES

ORDER CODE	DESCRIPTION
EVE100	Single sided white speaker stand scrum, 5 ft, includes carrying bag
EVE200	2 sided white speaker stand scrum, 5 ft, includes carrying bag
EVE300	3 sided white speaker stand scrum, 5 ft, includes carrying bag
OSL587	O Slim 2 Clamp (Pearl)
OSL150	O Slam 1.5 Clamp

DIMENSIONAL DRAWINGS

