



Commercial Audio Products

# 119L-19

## DYNAMIC CARDIOID GOOSENECK MICROPHONE

### Description

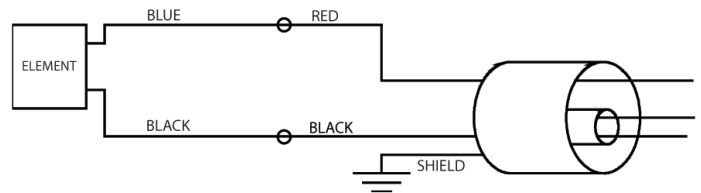
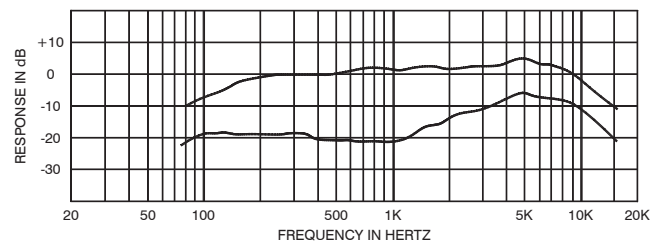
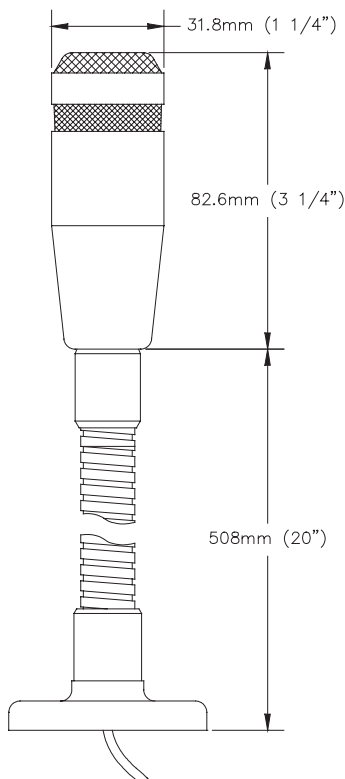
The **ASTATIC 119L Series** are dynamic cardioid microphones, designed especially for gooseneck mounting in quality sound reinforcement and communication installations. These microphones have a slightly rising high frequency response and a gentle low frequency roll-off, assuring excellent voice reproduction.

A superior cardioid directional pattern minimizes feedback, background noise, reverberation, offaxis coloration and placement problems. A new internal vibration isolation system, consisting of a special rubber mounting ring and a rubber stabilizing ring as a support for the generating element, reduces gooseneck, stand and handling noise. An effective multi-stage blast filter controls breath "pop" and wind disturbances. Available as **119L-19**.

The **119L Series** has *low impedance* outputs. The **119L-19** is supplied with 1.7m (5.5ft), of rugged two conductor shielded cable. The **119 Series** microphones are extremely rugged and reliable and will stand up under the most strenuous handling conditions to provide years of dependable service.

### ASTATIC Quality

All **119** microphones are audio tested and inspected prior to shipment. Our absolute commitment to quality insures that **ASTATIC** microphones remain the **Best Value** in today's competitive industry.



# SPECIFICATIONS FOR 119L-19



## Specifications

### Generating Element:

Dynamic

### Polar Pattern:

Unidirectional (Cardioid)

### Frequency Response:

150 Hz - 12 KHz

### Output Level: @ 1000 Hz

Open Circuit Voltage:

-57 dBV (1.4V) @ 1 Pa

### Front To Back Ratio:

20 dB

### Impedance:

Low, 500 ohms

### Cable:

Two conductor, overall shielded permanently attached, rugged, synthetic, jacketed cable.

119L-19 - 1.7m (5.5ft)

### Dimensions:

See Drawing

### Weight:

119L-19 - 340 grams (12 oz.)

### Housing:

Die cast Zinc

### Finish:

119L - Plated satin chrome

### Phasing

Positive Pressure (movement of diaphragm inward)

will generate a positive voltage on the red cable lead with respect to the black cable lead.

## Architects' and Engineers' Specification

The microphone shall be an ASTATIC **119L-19**. The microphone shall be a dynamic moving coil type with a diaphragm made of polyester. The frequency response shall be 80 Hz to 15 KHz. The microphone shall have a cardioid polar pattern.

The output level of the **119L Series** (500 ohms) shall be -60 dB (0 dB = 1 mW/10 microbar); -77 dB (0 dB = 1 volt/microbar); 1.4 mV/Pa. The microphone will feature an internal shock mounted element to reduce gooseneck and handling noise. The microphone will be wired for balanced line operation. The microphone will have a zinc die cast and brass housing and be finished in satin chrome (**119L-19**). The **119L-19** microphone will be fitted with a 508mm (20") chrome flexible gooseneck and mounting flange. The **119L-19** shall have a permanently attached 1.7M (5 1/2') two conductor overall shielded synthetic jacketed cable.

The overall dimensions shall be 31.8mm (1 1/4") in diameter; 103.2mm (4 1/16") plus 508mm (20") for the gooseneck and flange. The weight shall be 340 grams (12 oz.) including gooseneck for the **119L-19**.

The ASTATIC Model **119L-19** is specified.